

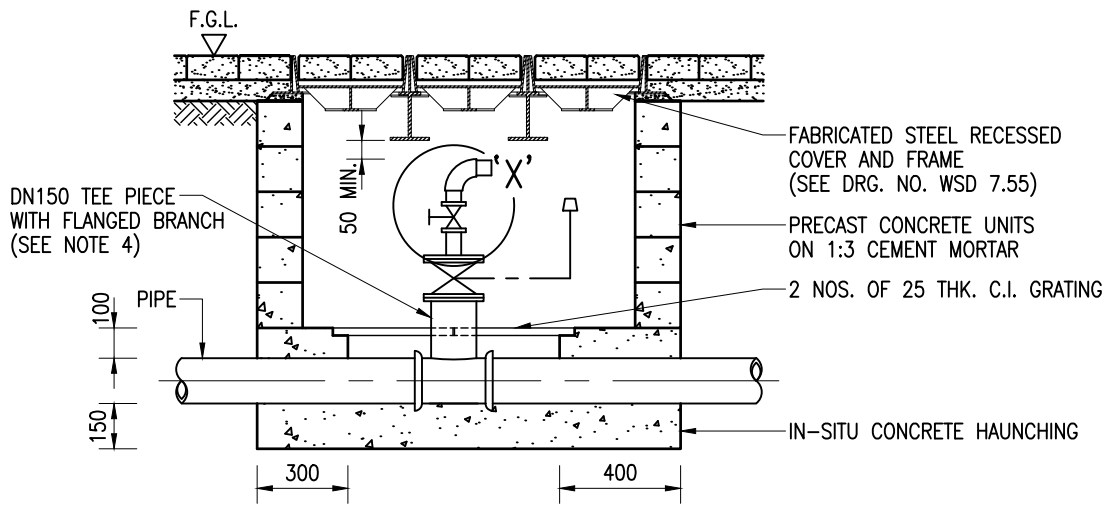
Cad Ref. : WSD014801-A.dwg

|      |                  |          |         |
|------|------------------|----------|---------|
| A    | GENERAL REVISION | K.H. HO  | 18/8/21 |
| REF. | REVISION         | APPROVED | DATE    |

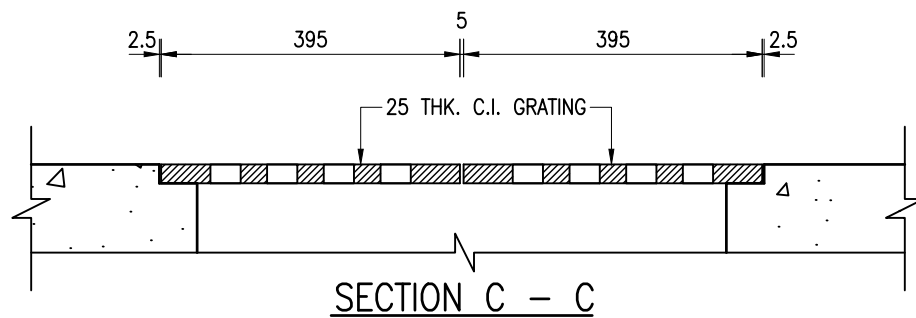
MULTI-PURPOSE DOUBLE AIR VALVE / MULTI-PURPOSE INSERTION CHAMBER (FOOTWAY)

|   |         |             |                             |
|---|---------|-------------|-----------------------------|
|  <b>水務署</b><br><b>Water Supplies Department</b> |         | DRAWING NO. | WSD 1.48A<br>(SHEET 1 OF 3) |
|   |         | APPROVED    |                             |
| DATE  | 15/2/12 |             |                             |
| SCALE   | 1 : 25  |             |                             |

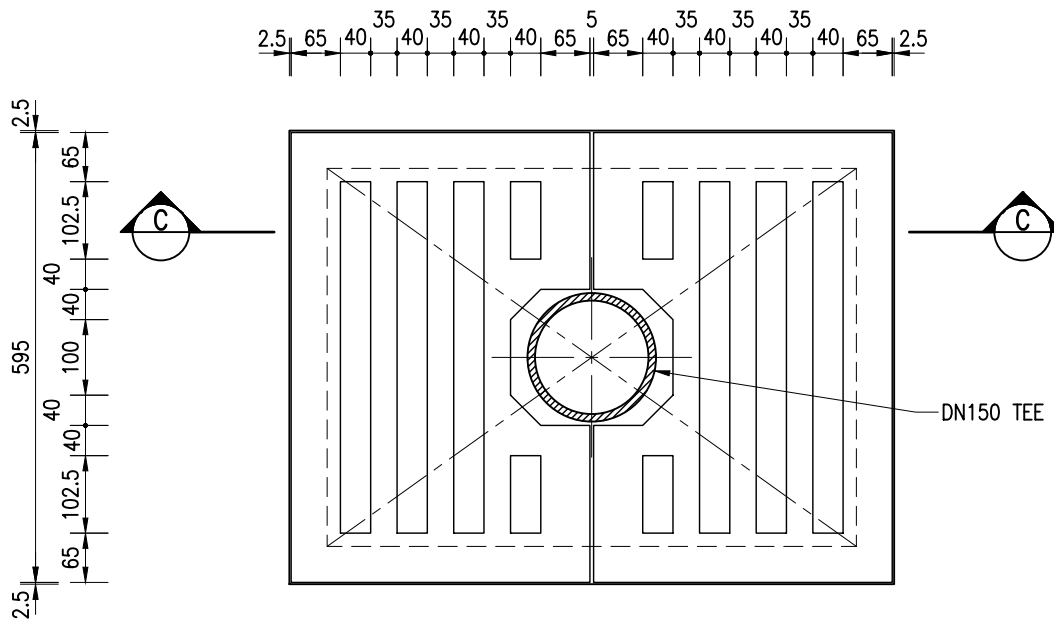
CSWP



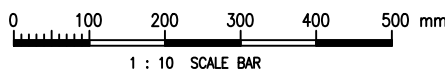
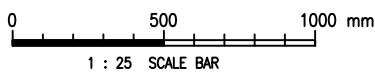
**SECTION B - B**  
(ALTERNATIVE DETAILS)



**SECTION C - C**



**PLAN**  
**DETAILS OF C.I. GRATING**  
SCALE 1 : 10



Cad Ref. : WSD014802-A.dwg

MULTI-PURPOSE DOUBLE AIR VALVE / MULTI-PURPOSE INSERTION CHAMBER (FOOTWAY)



水務署  
Water Supplies Department

APPROVED

W.L. LEUNG  
AD/NW

DATE

15/2/12

SCALE

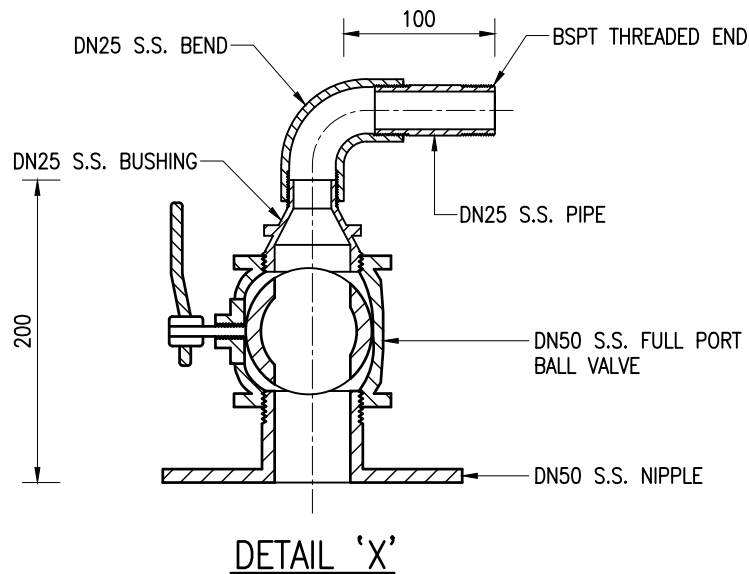
1 : 25 OR AS SHOWN

DRAWING NO.

WSD 1.48A

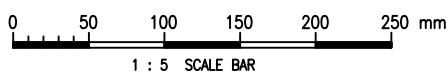
(SHEET 2 OF 3)

CSWP



NOTES :

1. ALL DIMENSIONS ARE IN MILLIMETRES.
2. FOR DETAILS OF PRECAST CONCRETE UNITS, REFER TO DRG. NO. WSD 1.7.
3. GRADE OF IN-SITU CONCRETE SHALL BE 30/20D.
4. TEE PIECE WITH FLANGED BRANCH SHALL BE 150 mm FOR BOTH DN100 AND DN150 D.A.V..
5. THIS CHAMBER MAY BE USED FOR PRESSURE OR FLOW MEASUREMENTS BY REPLACING THE DOUBLE AIR VALVE WITH THE FITTING SHOWN IN DETAIL 'X' AND SECTION B - B (ALTERNATIVE DETAILS). PRESSURE MEASUREMENTS MAY BE TAKEN BY CONNECTING A DATA LOGGER TO THE BSPT THREADED END SHOWN IN DETAIL 'X'. FLOW MEASUREMENTS MAY BE TAKEN BY REMOVING THE DN25 STAINLESS STEEL BEND SHOWN IN DETAIL 'X' AND INSERTING AN INSERTION TYPE ELECTROMAGNETIC FLOWMETER THROUGH THE DN50 STAINLESS STEEL FULL PORT VALVE.
6. THIS CHAMBER MAY ALSO BE USED AS AN INSERTION CHAMBER FOR NON-DISTRUCTIVE CONDITION ASSESSMENT OF AN IN-SERVICE PRESSURISED WATER MAIN BY REMOVING THE FITTING SHOWN IN DETAIL 'X' AND INSERTING A TETHERED OR UNTETHERED SURVEY DEVICE THROUGH THE HORIZONTAL GATE VALVE.
7. DRAIN HOLE AND HESSIAN BAG SHALL BE INSTALLED WHEN THE ESTIMATED HIGHEST GROUND WATER LEVEL IS BELOW THE FORMATION LEVEL OF CHAMBER.
8. FOR CONCRETE FOOTWAY, FABRICATED STEEL RECESSED COVER SHALL BE FILLED WITH CONCRETE.
9. DETAILS OF THE CHAMBER SHOWN ON THIS DRAWING SHALL ONLY BE APPLICABLE TO PIPE SIZE OF DN450 OR BELOW.
10. 700 m SPACING IS RECOMMENDED BETWEEN INSERTION CHAMBERS. THE EXACT SPACING BETWEEN THE INSERTION CHAMBERS SHOULD BE DETERMINED ON A CASE-BY-CASE BASIS DEPENDING ON THE FITTINGS ALONG THE ALIGNMENT.



Cad Ref. : WSD014803-A.dwg

MULTI-PURPOSE DOUBLE AIR VALVE / MULTI-PURPOSE INSERTION CHAMBER (FOOTWAY)



水務署  
Water Supplies Department

APPROVED

W.L. LEUNG  
AD/NW

DATE

15/2/12

SCALE

1 : 5

DRAWING NO.

WSD 1.48A

(SHEET 3 OF 3)

CSWP