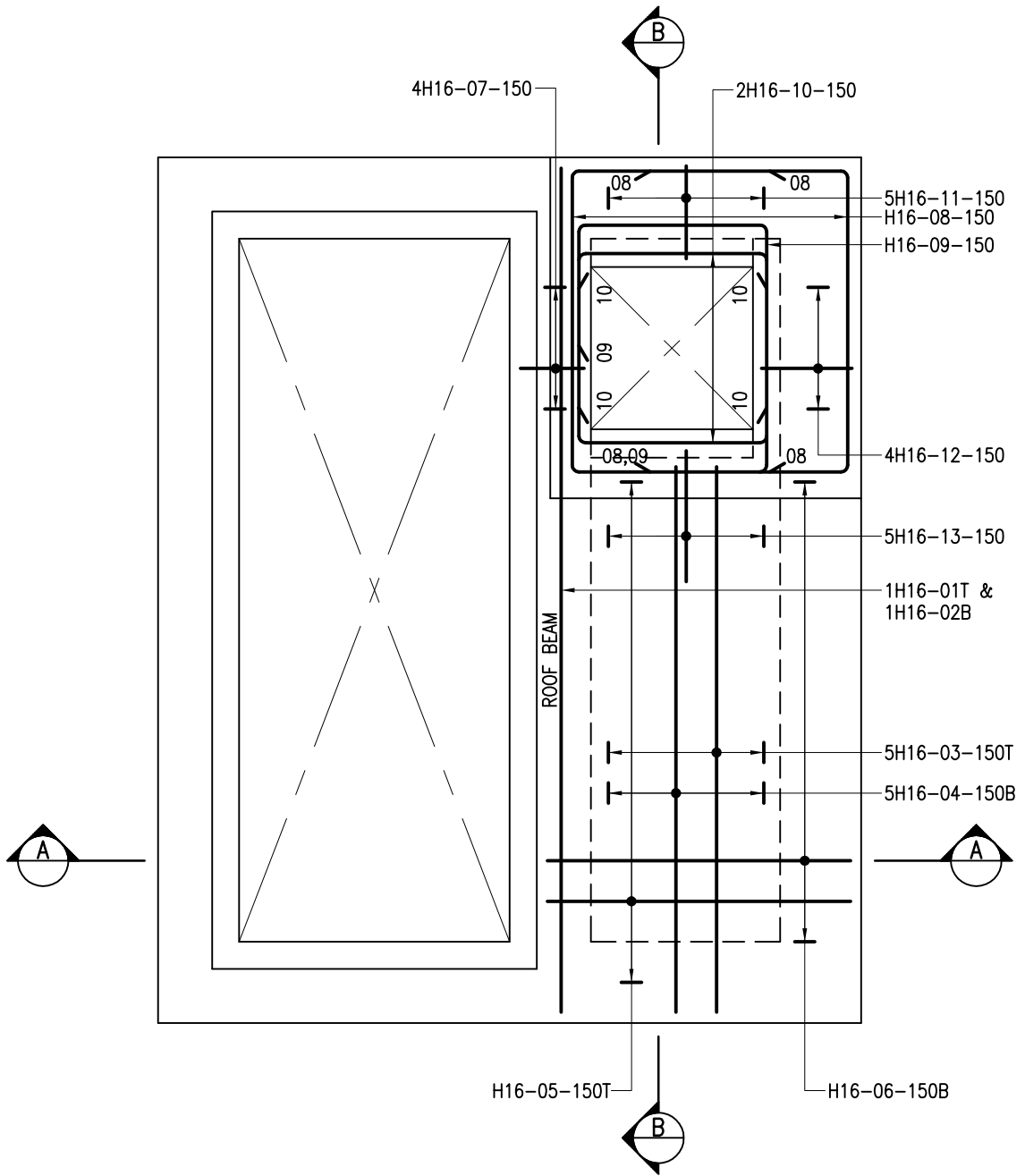
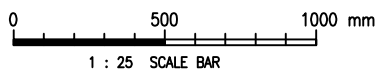


Cad Ref. : WSD014701-A.dwg




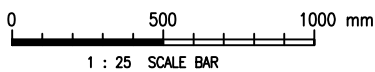
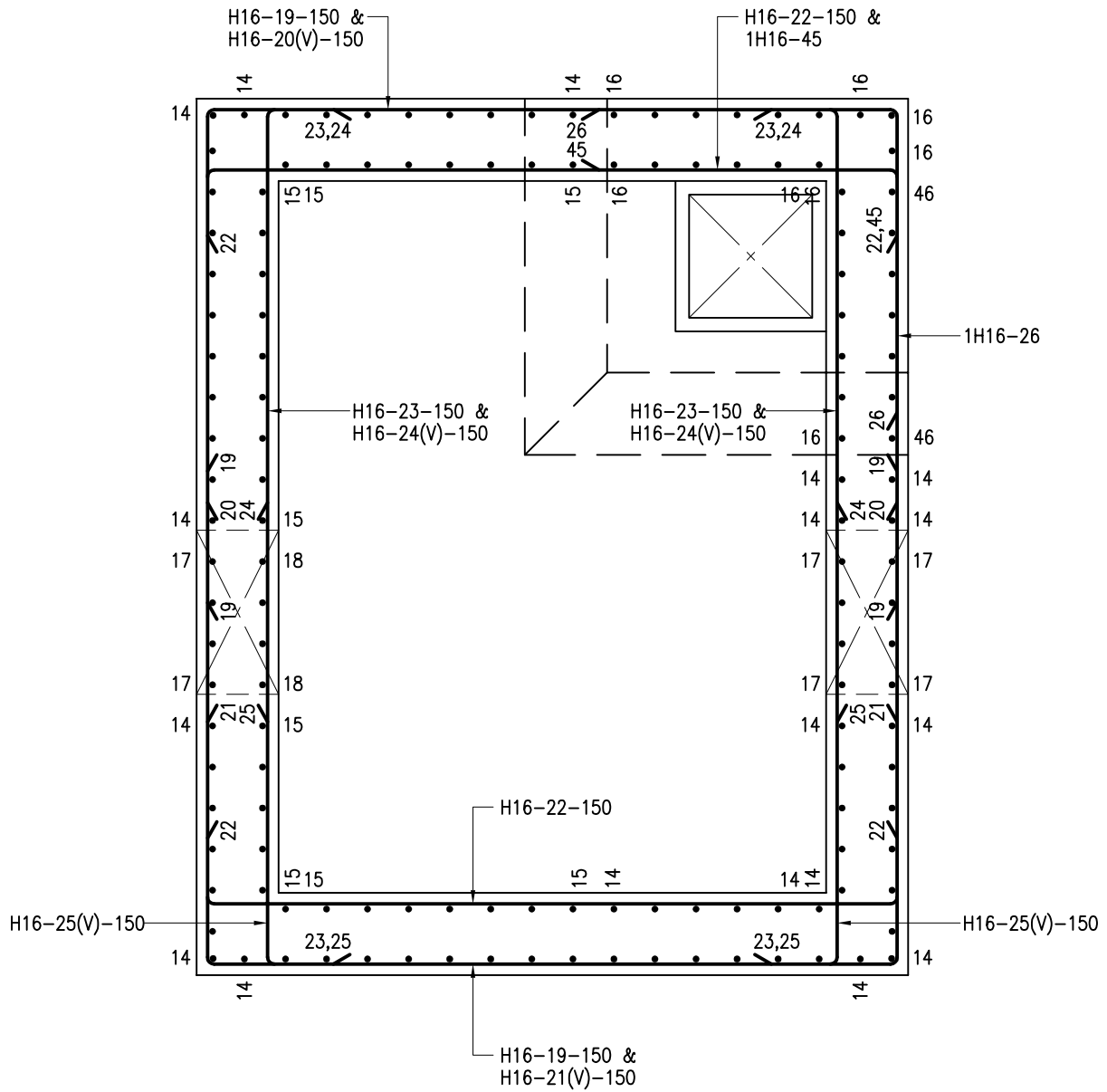
ROOF PLAN



A	GENERAL REVISION	S.K. YEUNG	2/1/15
REF.	REVISION	APPROVED	DATE

CHAMBER FOR VERTICAL GATE VALVE DN400 AND ABOVE – R.C. DETAILS

 <b>水務署</b> <b>Water Supplies Department</b>		DRAWING NO. <b>WSD 1.47A</b> (SHEET 1 OF 7)	CSWP
APPROVED	C.H. NG AD/NW		
DATE	9/1/12		
SCALE	1 : 25		



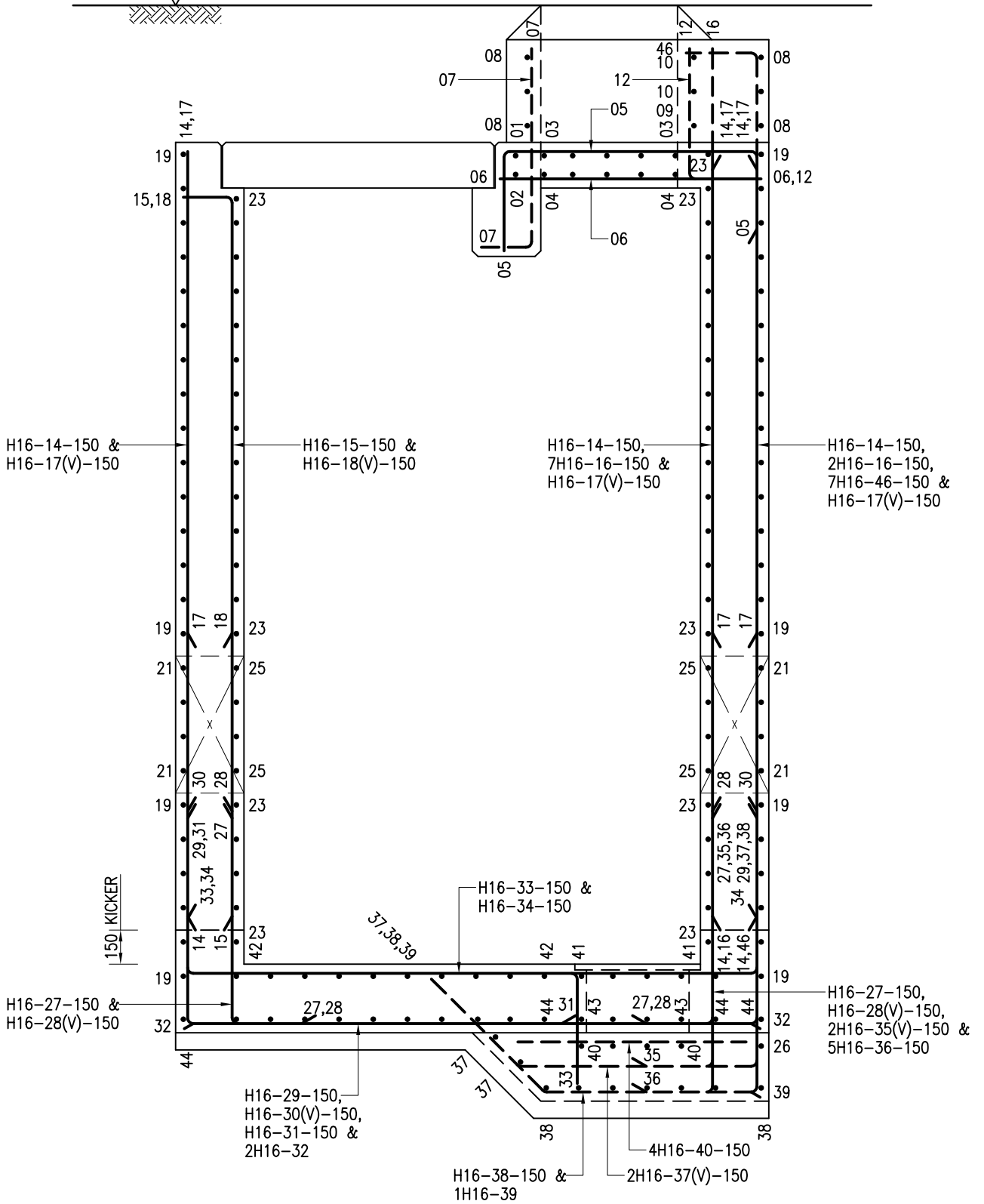
CHAMBER FOR VERTICAL GATE VALVE DN400 AND ABOVE - R.C. DETAILS



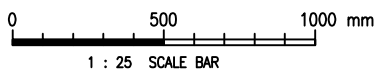
**水務署**  
Water Supplies Department

APPROVED	C.H. NG AD/NW	DRAWING NO.	CSWP
DATE	9/1/12	WSD 1.47A (SHEET 2 OF 7)	
SCALE	1 : 25		

FINISHED GROUND LEVEL



SECTION A - A



Cad Ref. : WSD014703-A.dwg

CHAMBER FOR VERTICAL GATE VALVE DN400 AND ABOVE - R.C. DETAILS



水務署  
Water Supplies Department

APPROVED

C.H. NG  
AD/NW

DRAWING NO.

CSWP

DATE

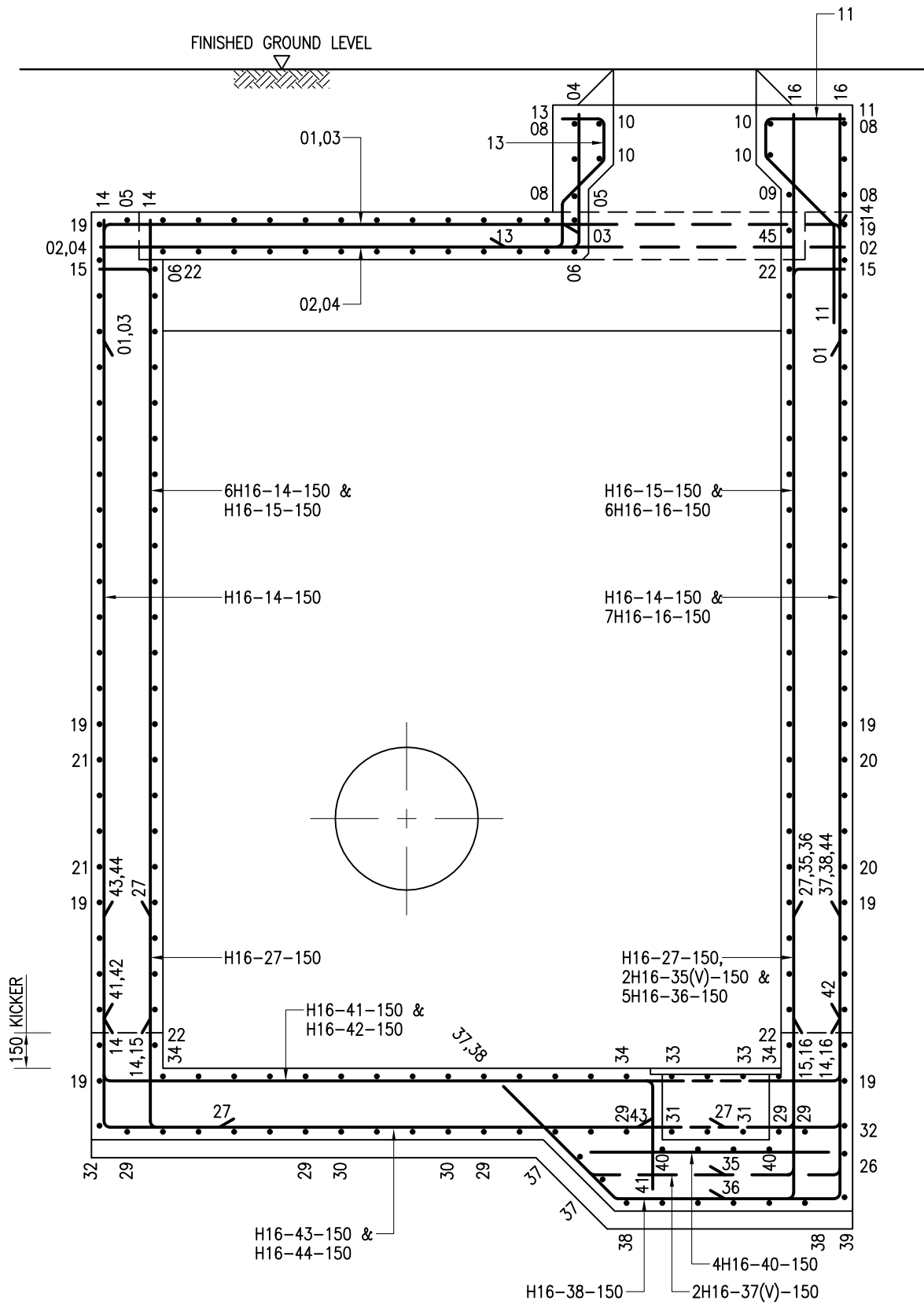
9/1/12

WSD 1.47A

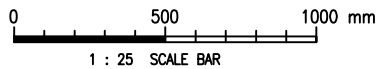
SCALE

1 : 25

(SHEET 3 OF 7)



SECTION B - B



Cad Ref. : WSD014704-A.dwg

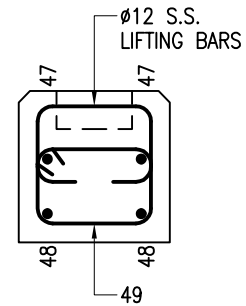


水務署  
Water Supplies Department

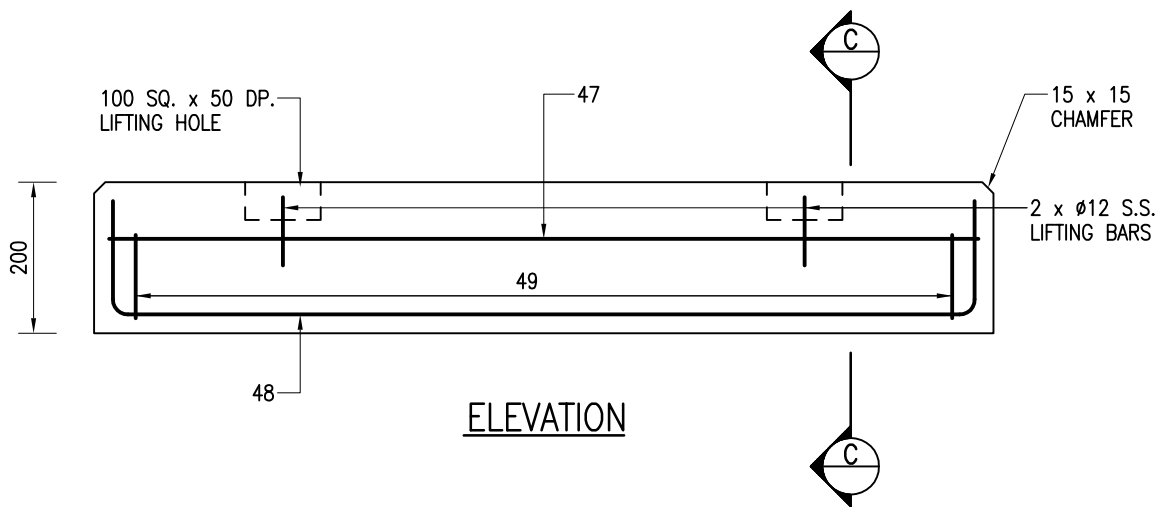
CHAMBER FOR VERTICAL GATE  
VALVE DN400 AND ABOVE -  
R.C. DETAILS

APPROVED	C.H. NG AD/NW	DRAWING NO.	CSWP
DATE	9/1/12	WSD 1.47A (SHEET 4 OF 7)	
SCALE	1 : 25		

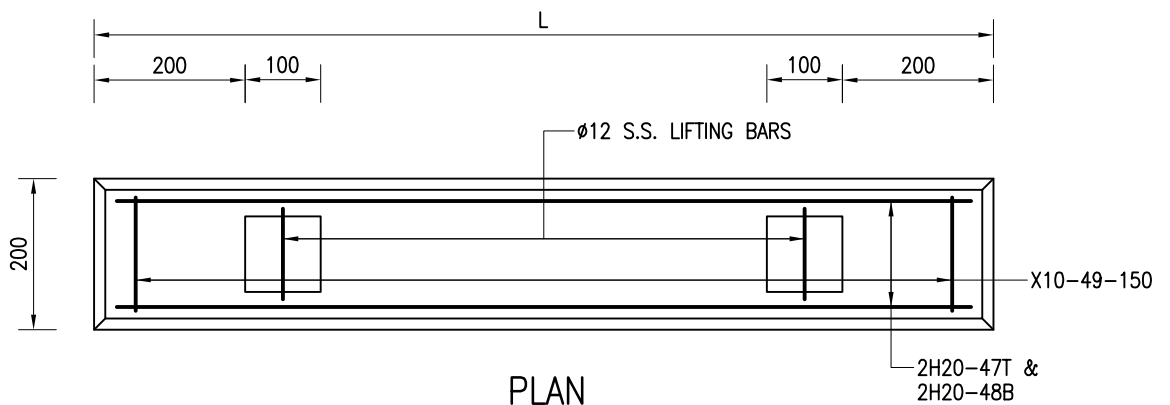
NOMINAL DIAMETER OF VALVE	LENGTH 'L'	WIDTH OF COVER TYPE II 'W'	
		X = 600	X = 450
400	1090	845	695
450	1090	740	590
600	1190	740	795
700	1490	735	-
800	1590	735	-
900	1690	730	-
1000	1890	730	-



SECTION C - C

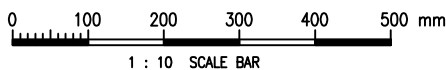


ELEVATION



PLAN

PRECAST CONCRETE COVER TYPE I



Cad Ref. : WSD014705-A.dwg

CHAMBER FOR VERTICAL GATE VALVE DN400 AND ABOVE - R.C. DETAILS



水務署  
Water Supplies Department

APPROVED

C.H. NG  
AD/NW

DATE

9/1/12

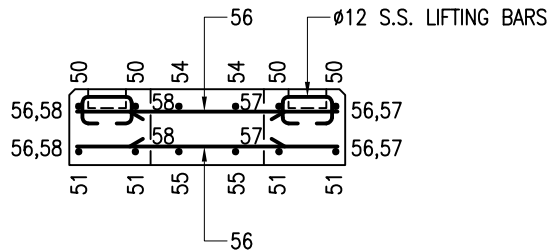
SCALE

1 : 10

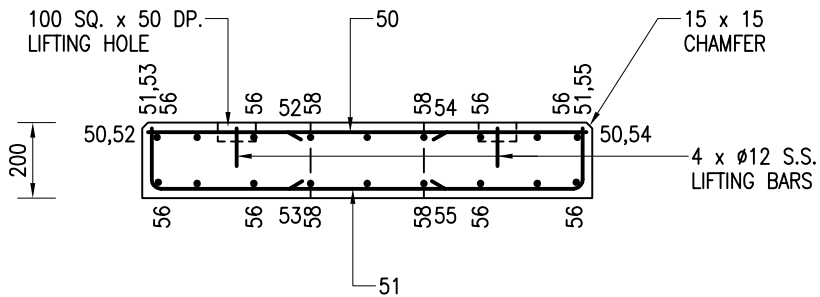
DRAWING NO.

WSD 1.47A  
(SHEET 5 OF 7)

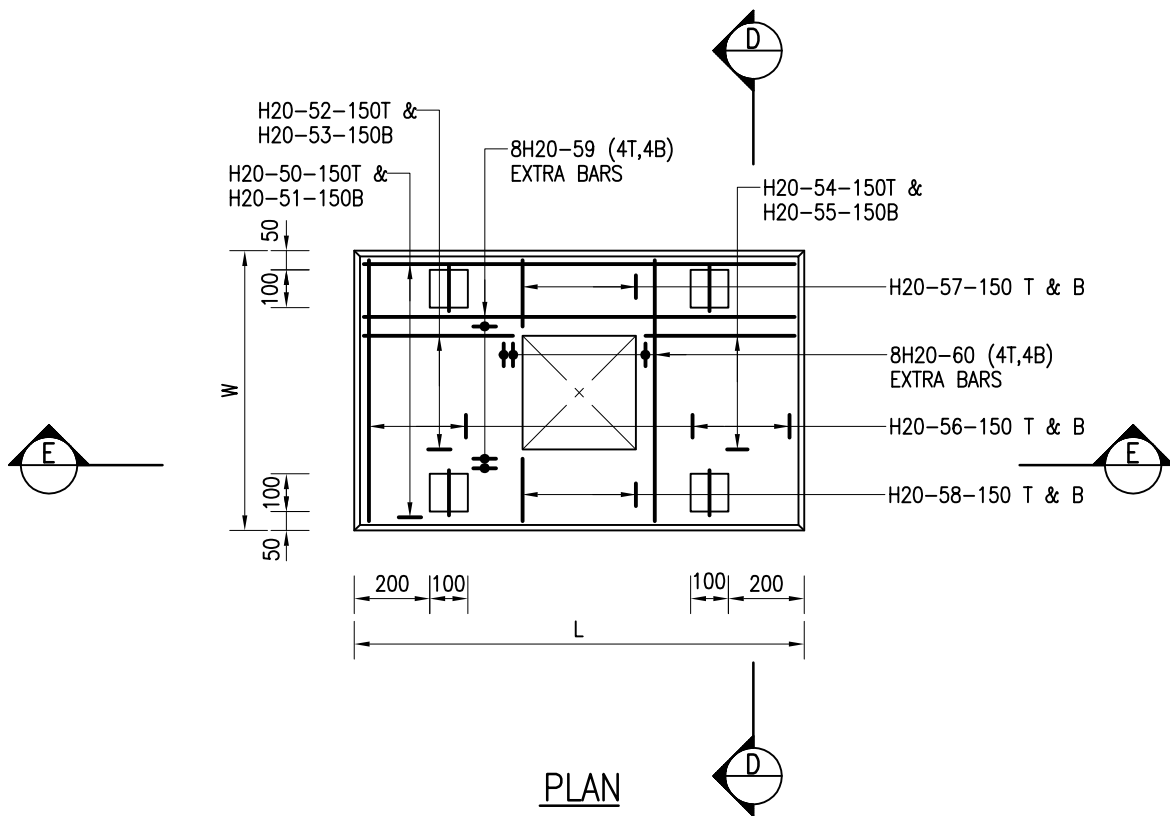
CSWP



SECTION D - D

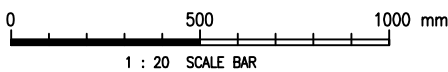


SECTION E - E



PLAN

PRECAST CONCRETE COVER TYPE II



Cad Ref. : WSD014706-A.dwg

CHAMBER FOR VERTICAL GATE  
VALVE DN400 AND ABOVE -  
R.C. DETAILS



水務署  
Water Supplies Department

APPROVED

C.H. NG  
AD/NW

DATE

9/1/12

SCALE

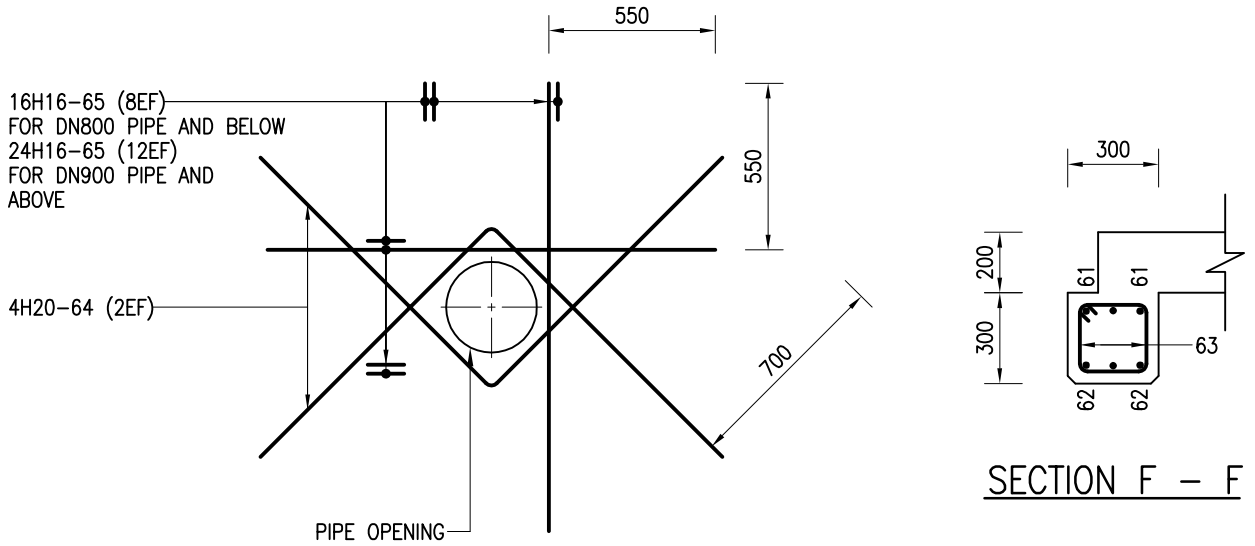
1 : 20

DRAWING NO.

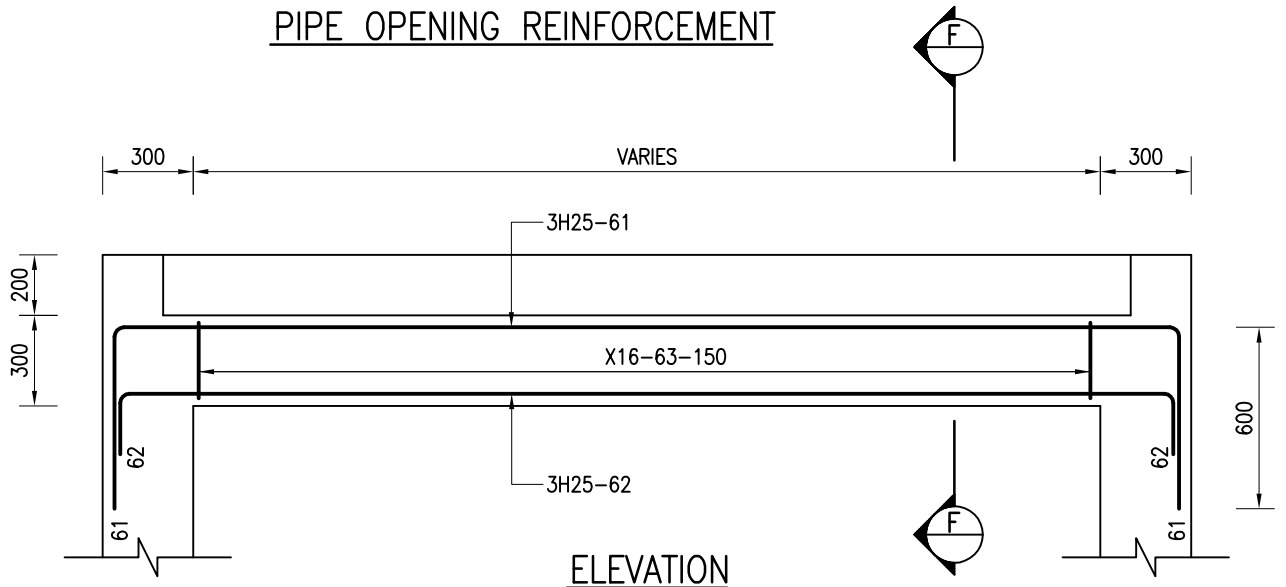
WSD 1.47A

(SHEET 6 OF 7)

CSWP



PIPE OPENING REINFORCEMENT

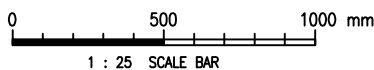


ELEVATION

R.C. DETAILS OF ROOF BEAM

NOTES :

1. ALL DIMENSIONS ARE IN MILLIMETRES.
2. NOMINAL COVER TO REINFORCEMENT SHALL BE 40 mm FOR CHAMBER AND 25 mm FOR PRECAST CONCRETE COVER UNLESS OTHERWISE SPECIFIED.
3. ALL REINFORCED CONCRETE SHALL BE GRADE 35/20D. BLINDING CONCRETE SHALL BE GRADE 20/20D.
4. MINIMUM LAP LENGTH FOR RIBBED STEEL REINFORCING BARS SHALL BE 43 TIMES THE DIAMETER OF THE SMALLER LAPPED BAR UNLESS OTHERWISE SPECIFIED.
5. FOR DESCRIPTION OF REINFORCEMENT, REFER TO DRAWING NO. WSD 7.1.



Cad Ref. : WSD014707-A.dwg

CHAMBER FOR VERTICAL GATE  
VALVE DN400 AND ABOVE –  
R.C. DETAILS



水務署  
Water Supplies Department

APPROVED

C.H. NG  
AD/NW

DRAWING NO.

CSWP

DATE

9/1/12

WSD 1.47A

SCALE

1 : 25

(SHEET 7 OF 7)