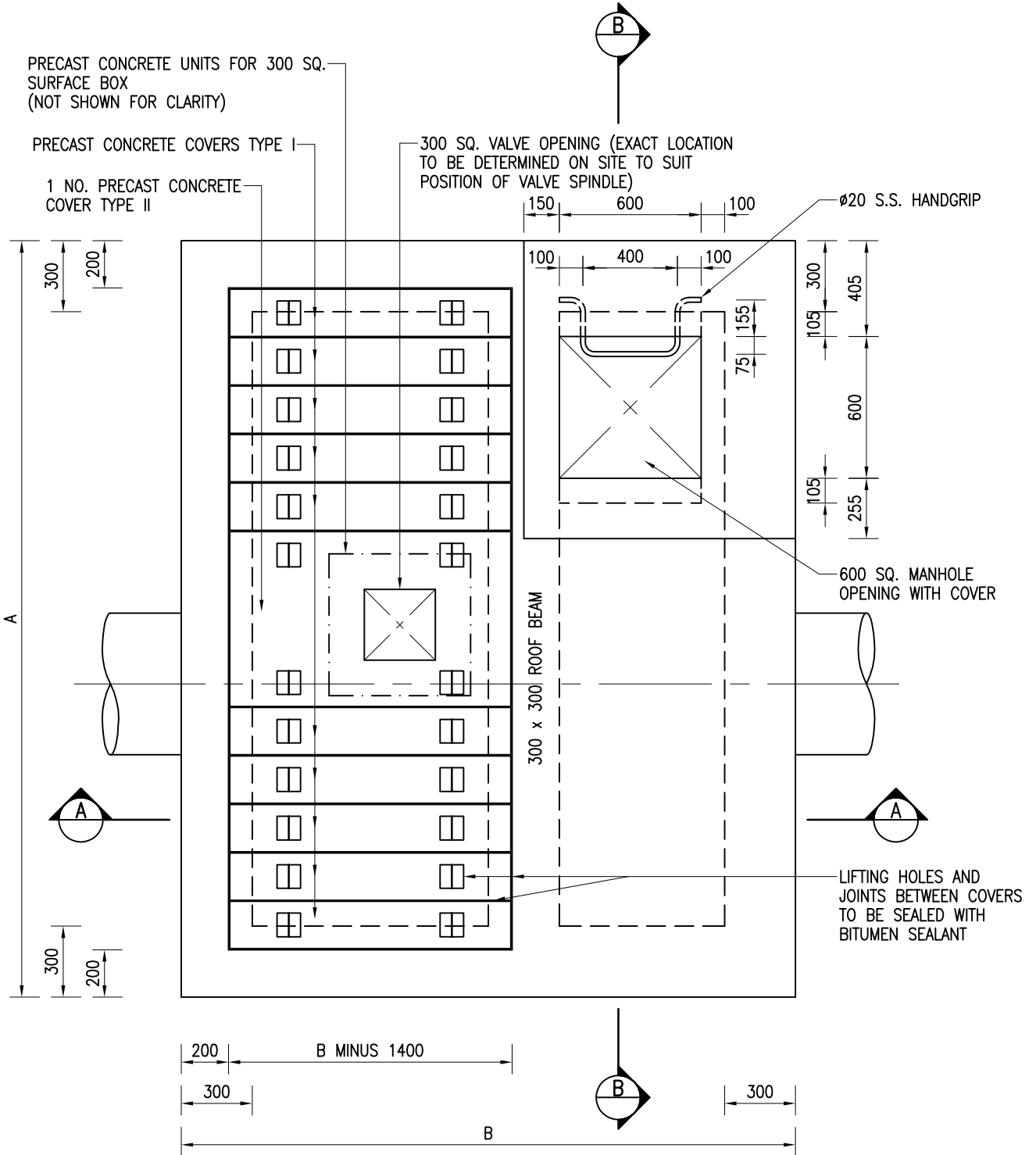


PRECAST CONCRETE UNITS FOR 300 SQ. SURFACE BOX (NOT SHOWN FOR CLARITY)

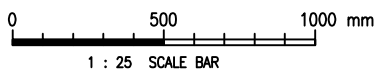
PRECAST CONCRETE COVERS TYPE I

1 NO. PRECAST CONCRETE COVER TYPE II

300 SQ. VALVE OPENING (EXACT LOCATION TO BE DETERMINED ON SITE TO SUIT POSITION OF VALVE SPINDLE)



ROOF PLAN



Cad Ref. : WSD014601.dwg

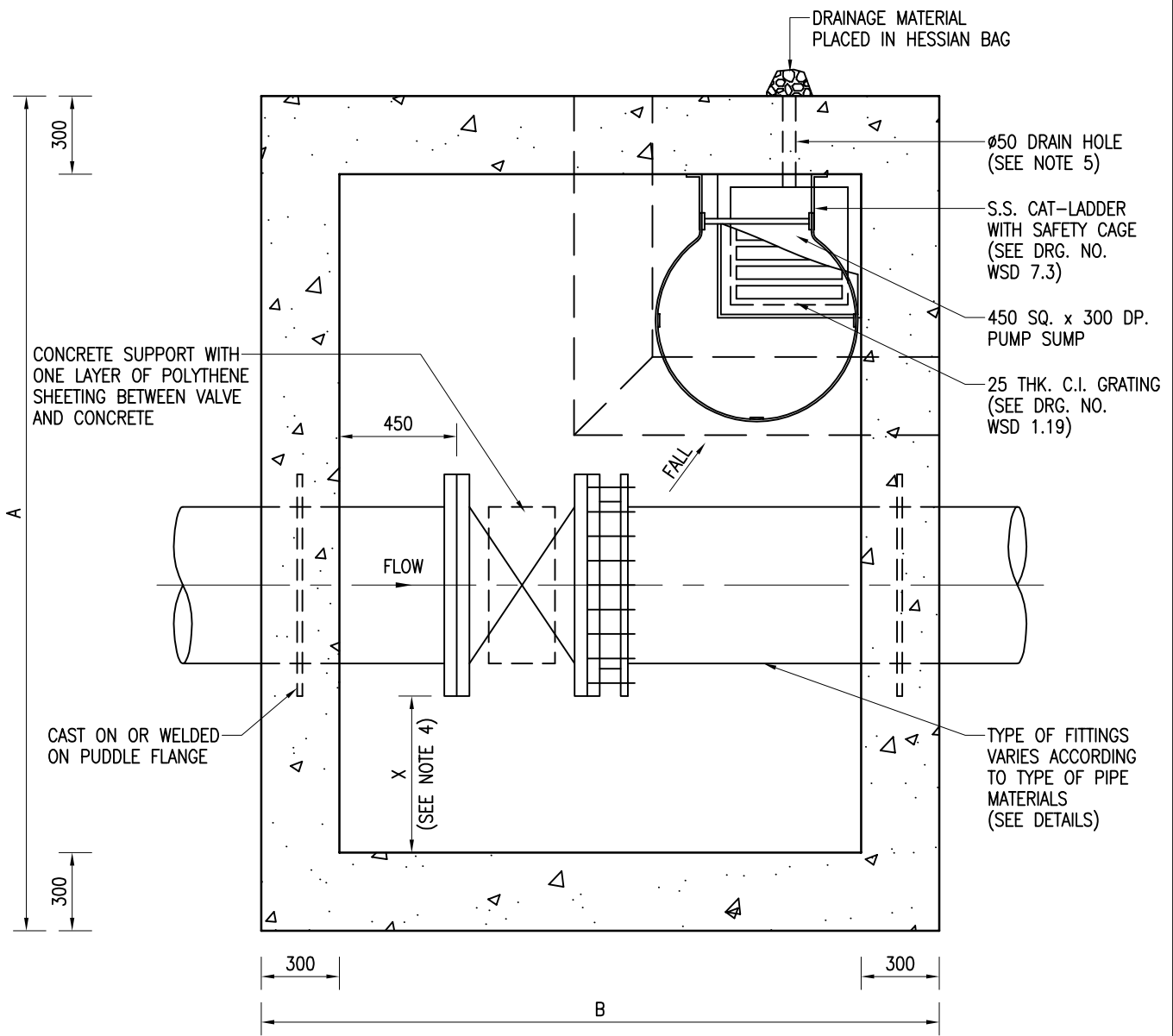
REF.	REVISION	APPROVED	DATE
------	----------	----------	------

CHAMBER FOR VERTICAL GATE VALVE DN400 AND ABOVE – GENERAL ARRANGEMENT (WITH BY-PASS PIPEWORK)



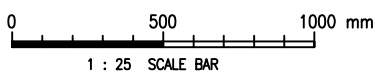
水務署
Water Supplies Department

APPROVED	C.H. NG AD/NW	DRAWING NO.	CSWP
DATE	9/1/12	WSD 1.46	(SHEET 1 OF 7)
SCALE	1 : 25		



SECTIONAL PLAN

NORMAL DIMENSIONS OF VERTICAL VALVE CHAMBERS							
NOMINAL DIA. OF PIPELINE	NOMINAL DIA. OF VALVE	X = 600			X = 450		
		A	B	C	A	B	C
400	400	3100	2400	2900	2950	2400	2900
450-600	450	3200	2400	3100	3050	2400	3100
700-800	600	3200	2500	3400	3050	2500	3400
900	700	3400	2800	3750	NOT APPLICABLE		
1000	800	3400	2900	4200			
1200	900	3600	3000	4550			
1400	1000	3600	3200	4800			



Cad Ref. : WSD014602.dwg

CHAMBER FOR VERTICAL GATE VALVE DN400 AND ABOVE – GENERAL ARRANGEMENT (WITH BY-PASS PIPEWORK)



水務署
Water Supplies Department

APPROVED

C.H. NG
AD/NW

DATE

9/1/12

SCALE

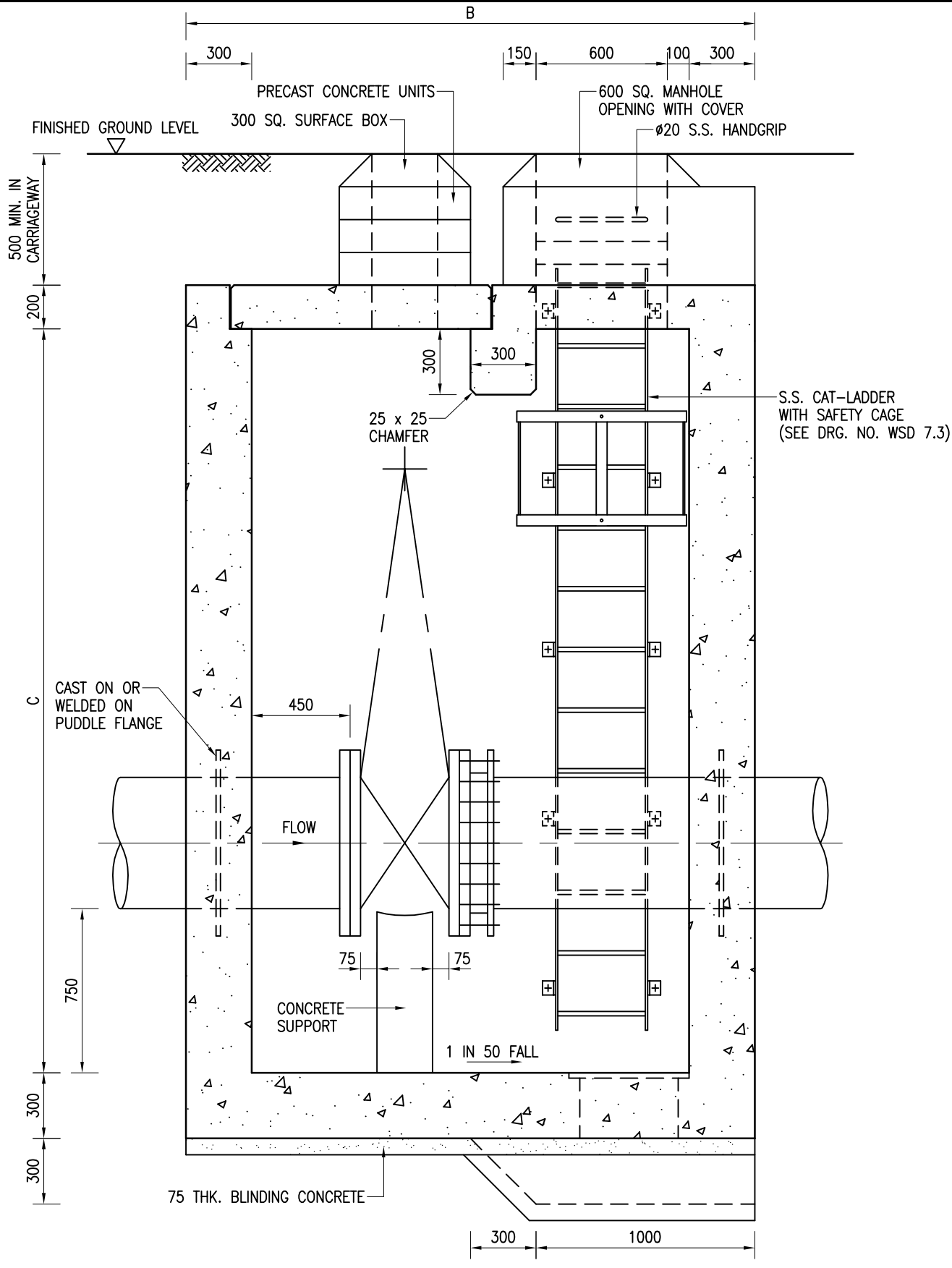
1 : 25

DRAWING NO.

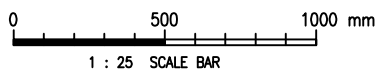
WSD 1.46

(SHEET 2 OF 7)

CSWP



SECTION A - A



Cad Ref. : WSD014603.dwg

CHAMBER FOR VERTICAL GATE VALVE DN400 AND ABOVE – GENERAL ARRANGEMENT (WITH BY-PASS PIPEWORK)



水務署
Water Supplies Department

APPROVED

C.H. NG
AD/NW

DRAWING NO.

CSWP

DATE

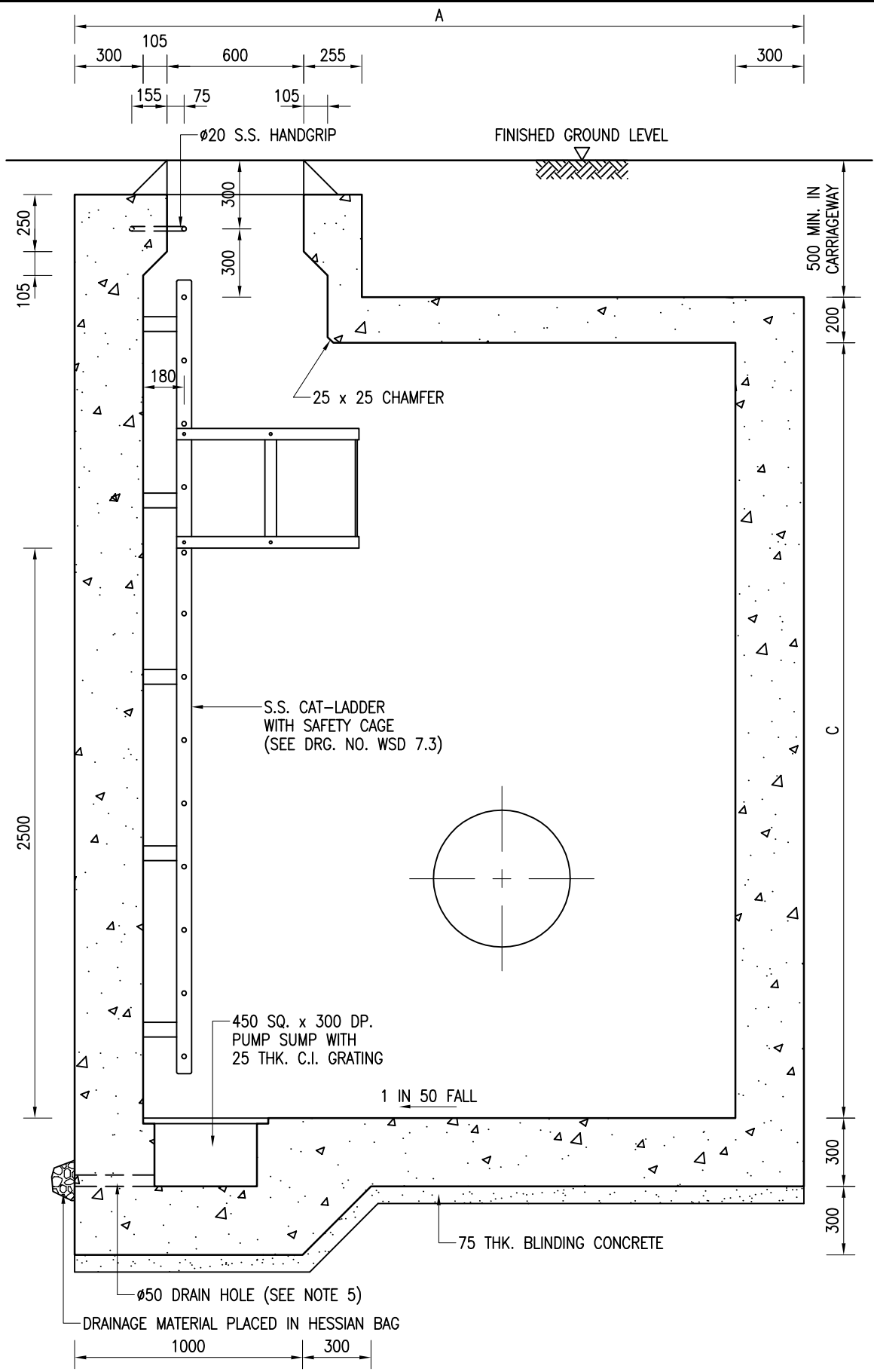
9/1/12

WSD 1.46

SCALE

1 : 25

(SHEET 3 OF 7)



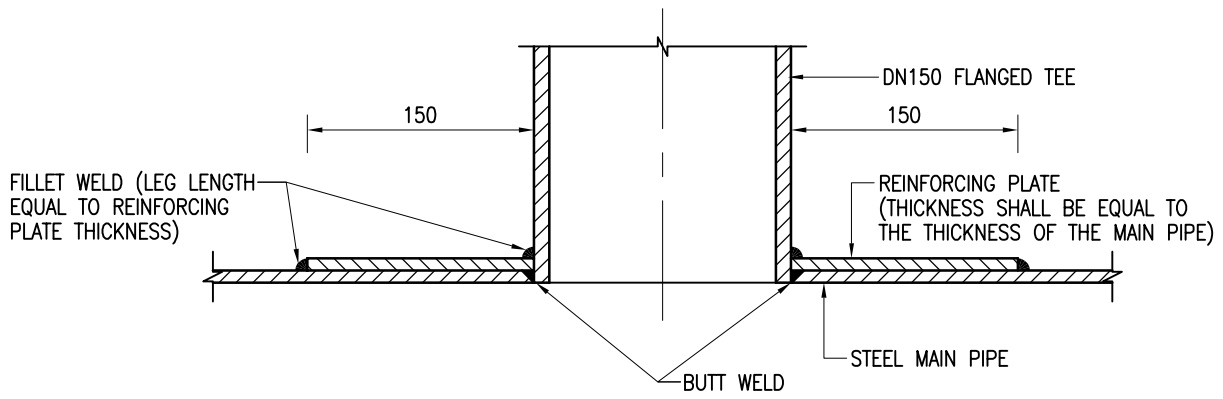
Cad Ref. : WSD014604.dwg

CHAMBER FOR VERTICAL GATE VALVE DN400 AND ABOVE - GENERAL ARRANGEMENT (WITH BY-PASS PIPEWORK)



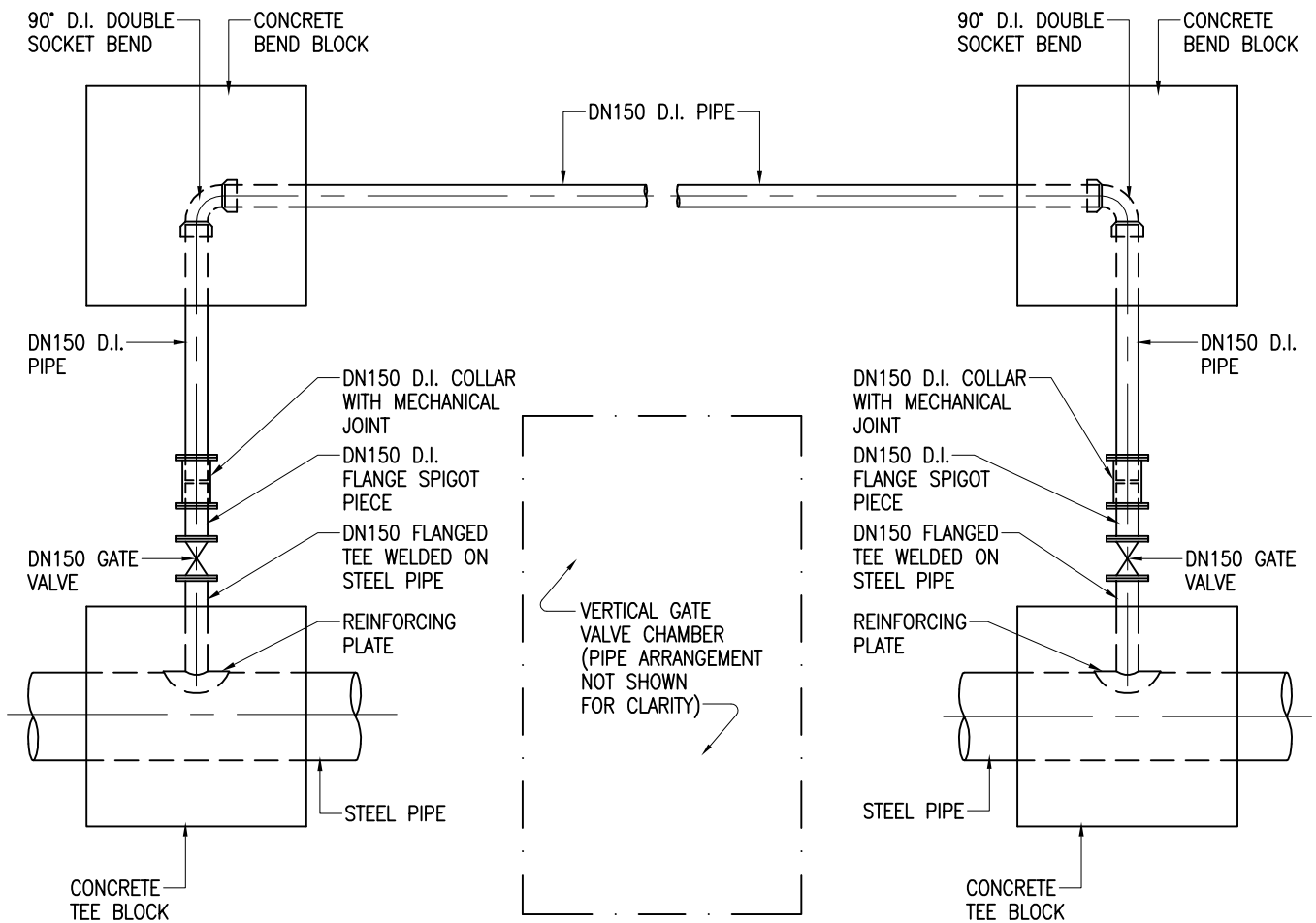
水務署
Water Supplies Department

APPROVED	C.H. NG AD/NW	DRAWING NO.	CSWP
DATE	9/1/12	WSD 1.46	
SCALE	1 : 25	(SHEET 4 OF 7)	

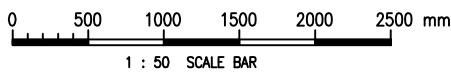


REINFORCING PLATE FOR CONCENTRIC 90° TEE

N.T.S.



DN150 BY-PASS ARRANGEMENT FOR GATE VALVE (DN600 AND ABOVE)



Cad Ref. : WSD014605.dwg

CHAMBER FOR VERTICAL GATE VALVE DN400 AND ABOVE – GENERAL ARRANGEMENT (WITH BY-PASS PIPEWORK)



水務署
Water Supplies Department

APPROVED

C.H. NG
AD/NW

DRAWING NO.

CSWP

DATE

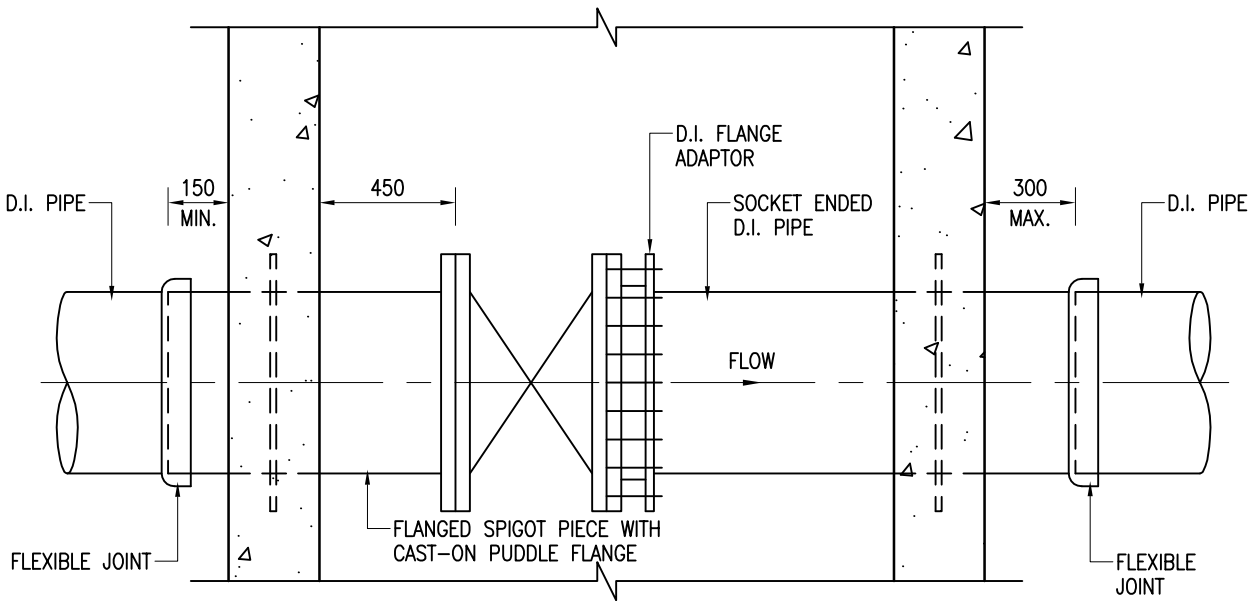
9/1/12

WSD 1.46

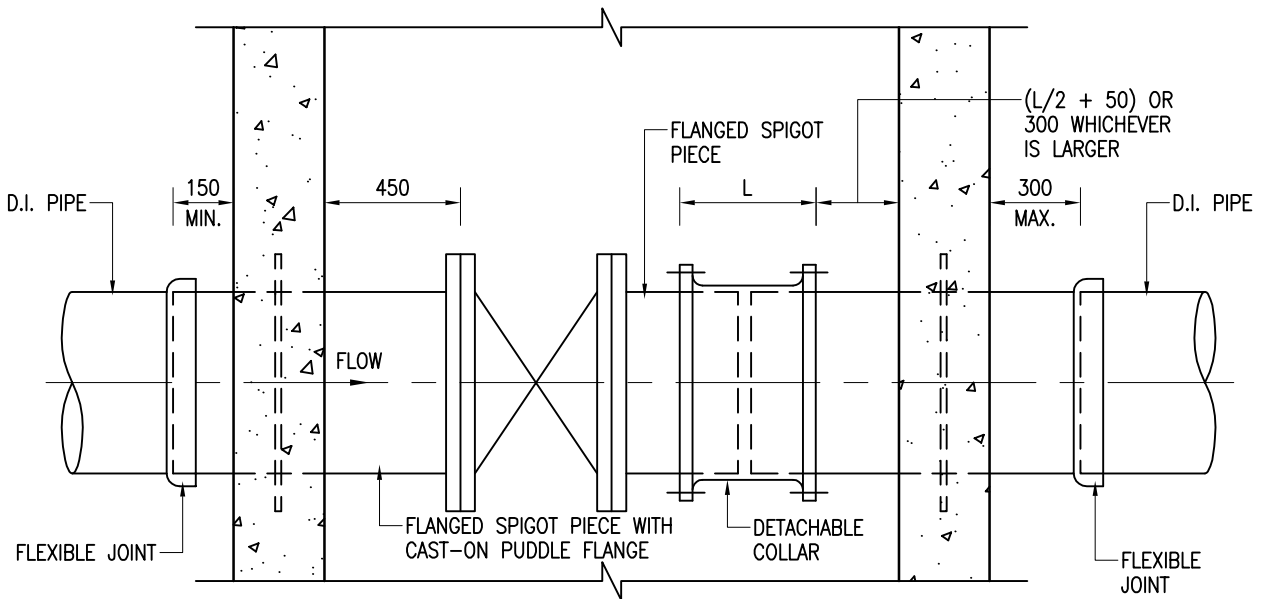
SCALE

1 : 50 OR AS SHOWN

(SHEET 5 OF 7)

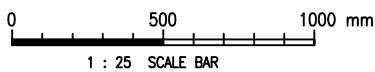


LAYOUT PLAN TYPE A (FOR NEW INSTALLATION)



LAYOUT PLAN TYPE B (FOR MAINTENANCE REFERENCE)

PIPEWORK DETAILS AT VALVE CHAMBER
(DUCTILE IRON PIPELINE)



Cad Ref. : WSD014606.dwg

CHAMBER FOR VERTICAL GATE
VALVE DN400 AND ABOVE –
GENERAL ARRANGEMENT
(WITH BY-PASS PIPEWORK)



水務署
Water Supplies Department

APPROVED

C.H. NG
AD/NW

DATE

9/1/12

SCALE

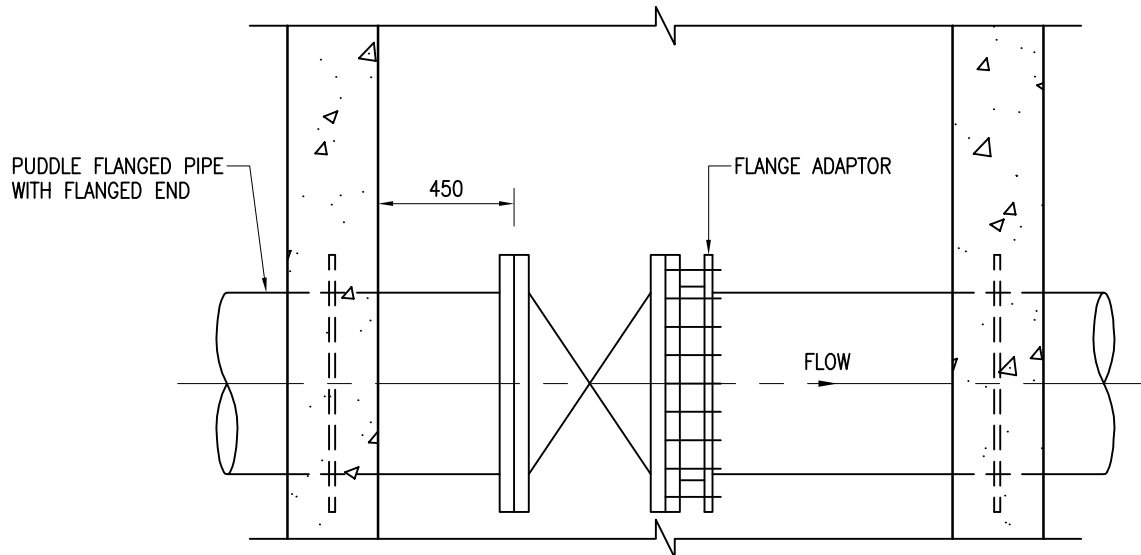
1 : 25

DRAWING NO.

WSD 1.46

(SHEET 6 OF 7)

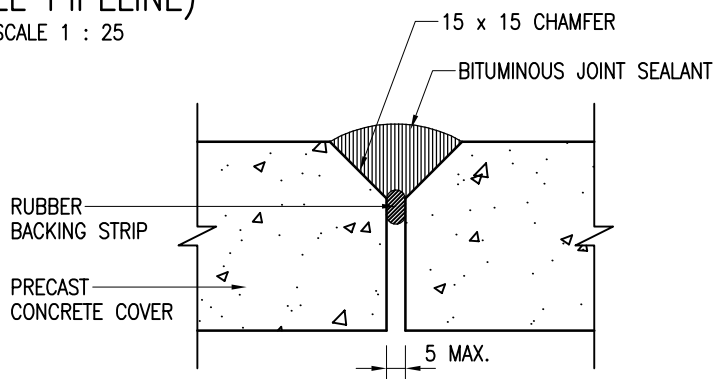
CSWP



LAYOUT PLAN

PIPEWORK DETAILS AT VALVE CHAMBER
(STEEL PIPELINE)

SCALE 1 : 25

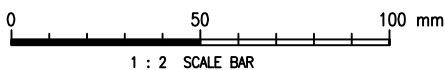
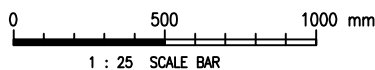


TYPICAL DETAILS OF JOINT SEALANT
FOR PRECAST CONCRETE COVERS

SCALE 1 : 2

NOTES :

1. ALL DIMENSIONS ARE IN MILLIMETRES.
2. ALL REINFORCED CONCRETE SHALL BE GRADE 35/20D. BLINDING CONCRETE SHALL BE GRADE 20/20D.
3. FOR DETAILS OF PRECAST CONCRETE UNITS, REFER TO DRAWING NO. WSD 1.7.
4. DIMENSION X SHALL NORMALLY BE 600 mm. THIS MAY BE REDUCED TO 450 mm WHERE IN THE OPINION OF THE ENGINEER THERE IS INSUFFICIENT SPACE FOR A NORMAL SIZED CHAMBER.
5. DRAIN HOLE AND HESSIAN BAG SHALL BE INSTALLED WHEN THE ESTIMATED HIGHEST GROUND WATER LEVEL IS BELOW THE FORMATION LEVEL OF VALVE CHAMBER.
6. IF THE TOP OF THE GATE VALVE STEM IS MORE THAN 300 mm BELOW THE FINISHED GROUND LEVEL, AN EXTENSION KEY AND CLAMPS SHALL BE PROVIDED IN ACCORDANCE WITH DRAWING NO. WSD 7.7.
7. FOR CHAMBER WITH TWO OR MORE VALVES, MINIMUM CLEARANCE BETWEEN PIPES AND BETWEEN PIPE AND WALL SHALL BE 450 mm AND 600 mm RESPECTIVELY. DISTANCE SHOULD BE MEASURED FROM THE OUTER EDGES OF THE VALVE FLANGES.



Cad Ref. : WSD014607.dwg

CHAMBER FOR VERTICAL GATE
VALVE DN400 AND ABOVE –
GENERAL ARRANGEMENT
(WITH BY-PASS PIPEWORK)



水務署
Water Supplies Department

APPROVED

C.H. NG
AD/NW

DRAWING NO.

CSWP

DATE

9/1/12

WSD 1.46

SCALE

1 : 25 OR AS SHOWN

(SHEET 7 OF 7)