

H16-24-150T
 A

H16-25-150B

4H16-23-150B

4H16-22-150T

4H16-20-150

4H16-21-150

4H16-19-150

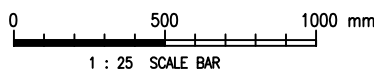
3H16-37 (EF)



2H16-38 (EF)

1H16-39

ROOF PLAN



Cad Ref. : WSD014301-A.dwg

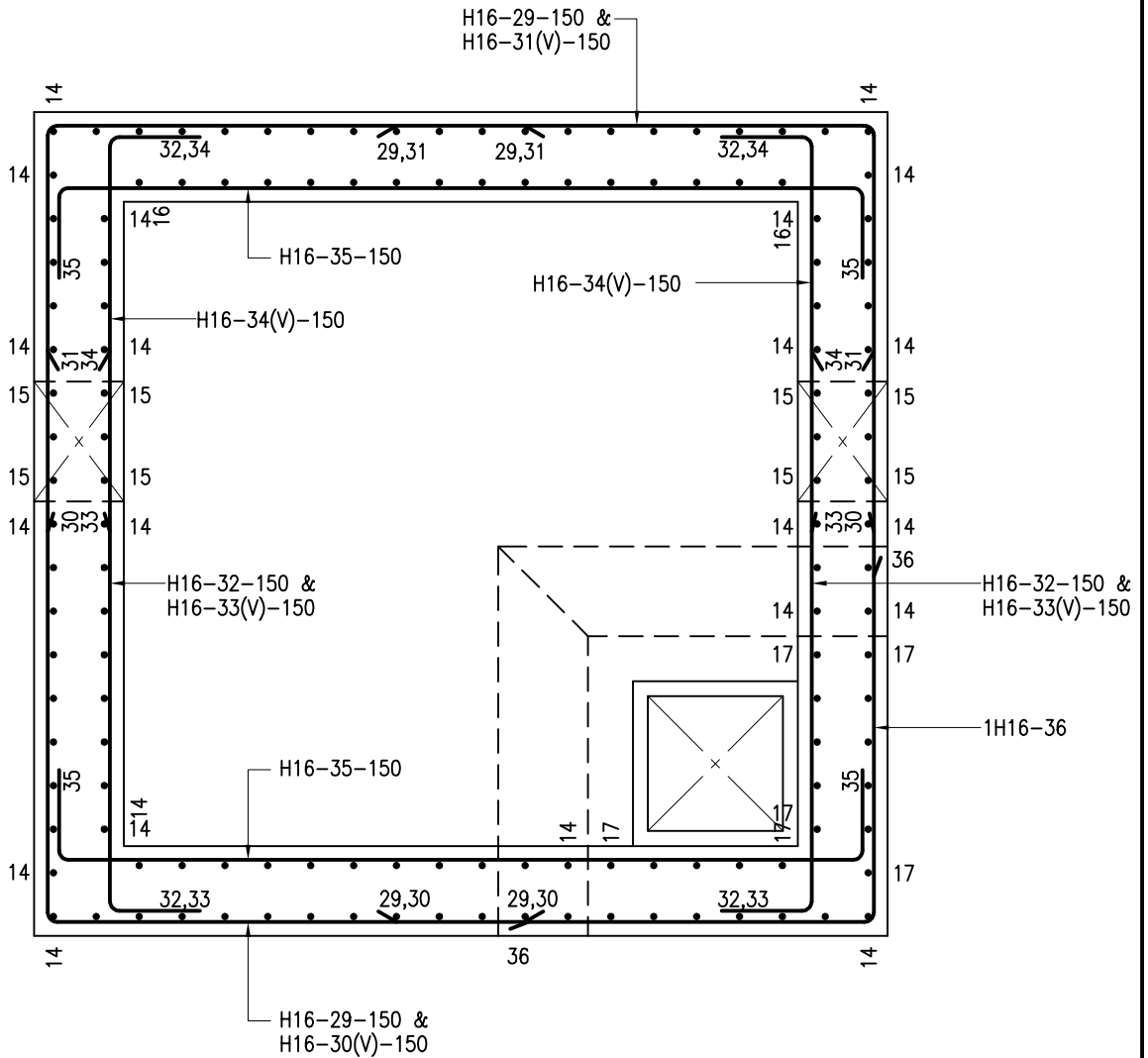
A	GENERAL REVISION	S.K. YEUNG	2/1/15
REF.	REVISION	APPROVED	DATE

水務署
Water Supplies Department

ELECTROMAGNETIC FLOWMETER
 CHAMBER FOR PIPE SIZE DN400
 OR ABOVE -
 R.C. DETAILS

APPROVED	M.C. LEUNG AD/NW	DRAWING NO. WSD 1.43A (SHEET 1 OF 6)	CSWP
DATE	3/3/06		
SCALE	1 : 25		

Cad Ref. : WSD014302-A.dwg



SECTIONAL PLAN



ELECTROMAGNETIC FLOWMETER
CHAMBER FOR PIPE SIZE DN400
OR ABOVE –
R.C. DETAILS



水務署
Water Supplies Department

APPROVED

M.C. LEUNG
AD/NW

DATE

3/3/06

SCALE

1 : 25

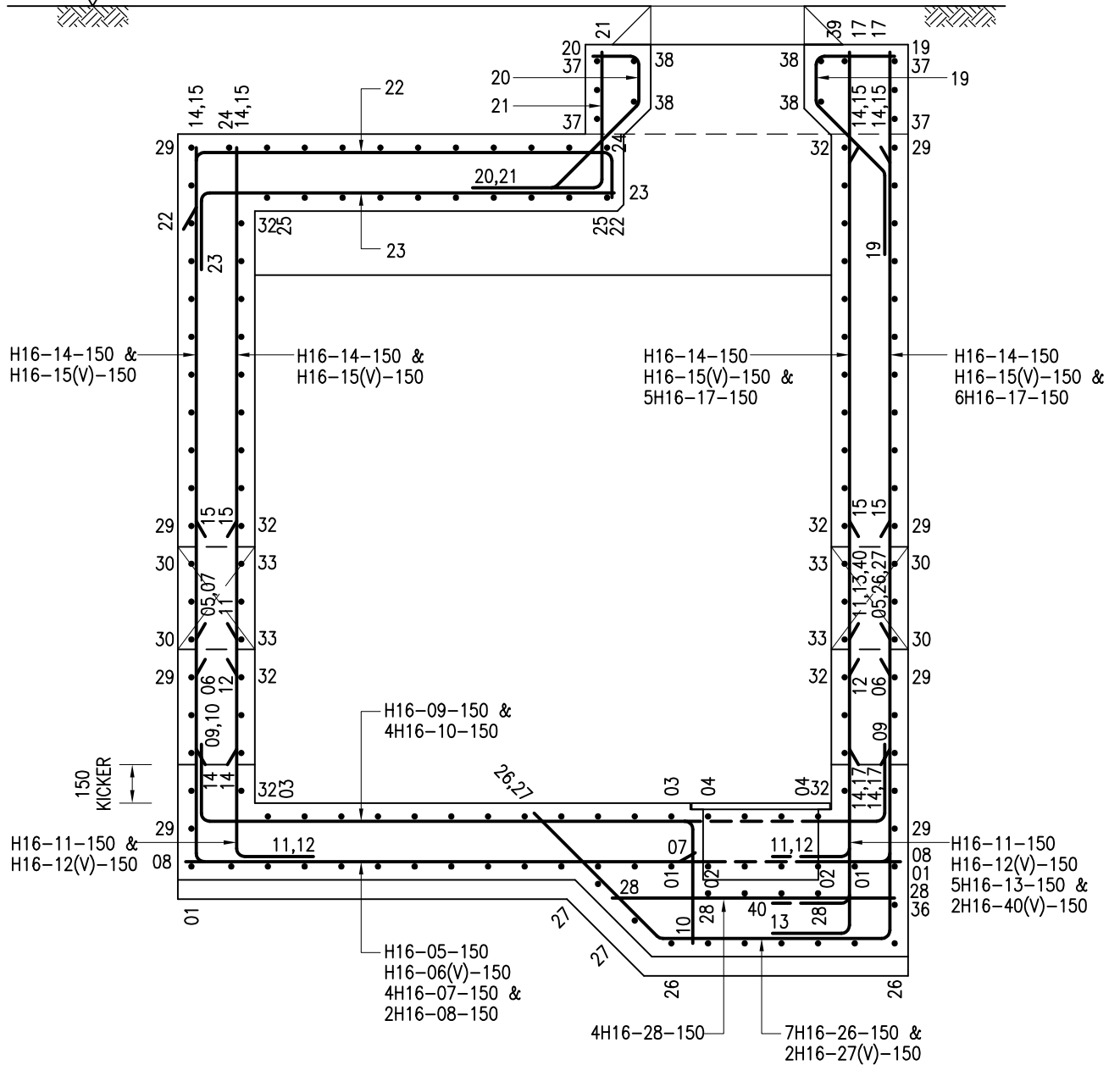
DRAWING NO.

WSD 1.43A

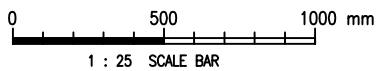
(SHEET 2 OF 6)

CSWP

FINISHED GROUND LEVEL



SECTION A - A



Cad Ref. : WSD014303-A.dwg

ELECTROMAGNETIC FLOWMETER
CHAMBER FOR PIPE SIZE DN400
OR ABOVE -
R.C. DETAILS



水務署
Water Supplies Department

APPROVED

M.C. LEUNG
AD/NW

DATE

3/3/06

SCALE

1 : 25

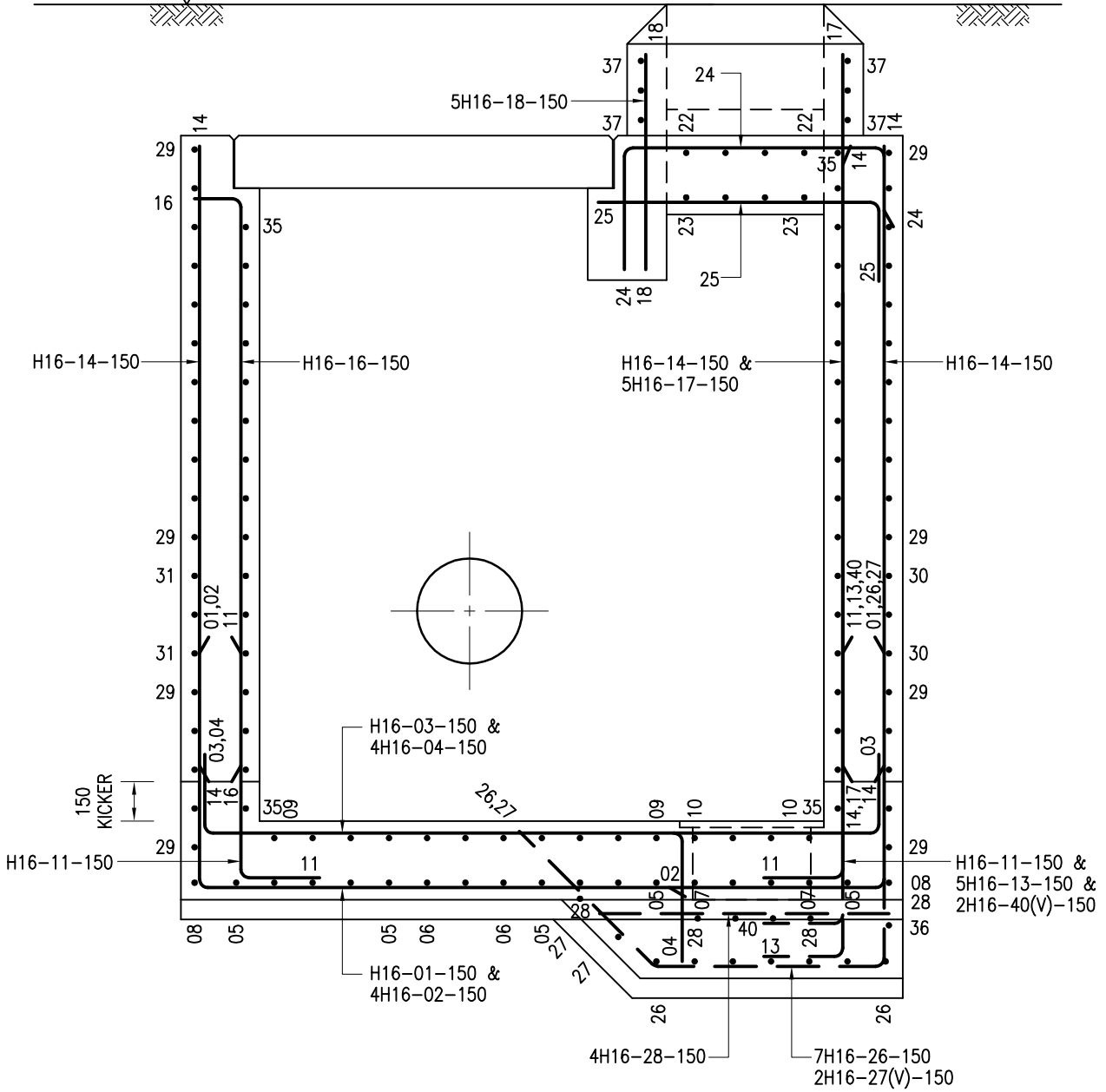
DRAWING NO.

WSD 1.43A

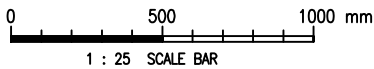
(SHEET 3 OF 6)

CSWP

FINISHED GROUND LEVEL



SECTION B - B



Cad Ref. : WSD014304-A.dwg

ELECTROMAGNETIC FLOWMETER
CHAMBER FOR PIPE SIZE DN400
OR ABOVE -
R.C. DETAILS



水務署
Water Supplies Department

APPROVED

M.C. LEUNG
AD/NW

DATE

3/3/06

SCALE

1 : 25

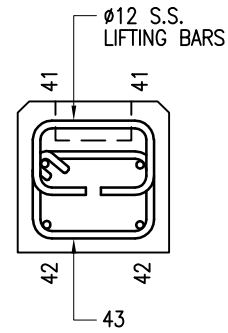
DRAWING NO.

WSD 1.43A

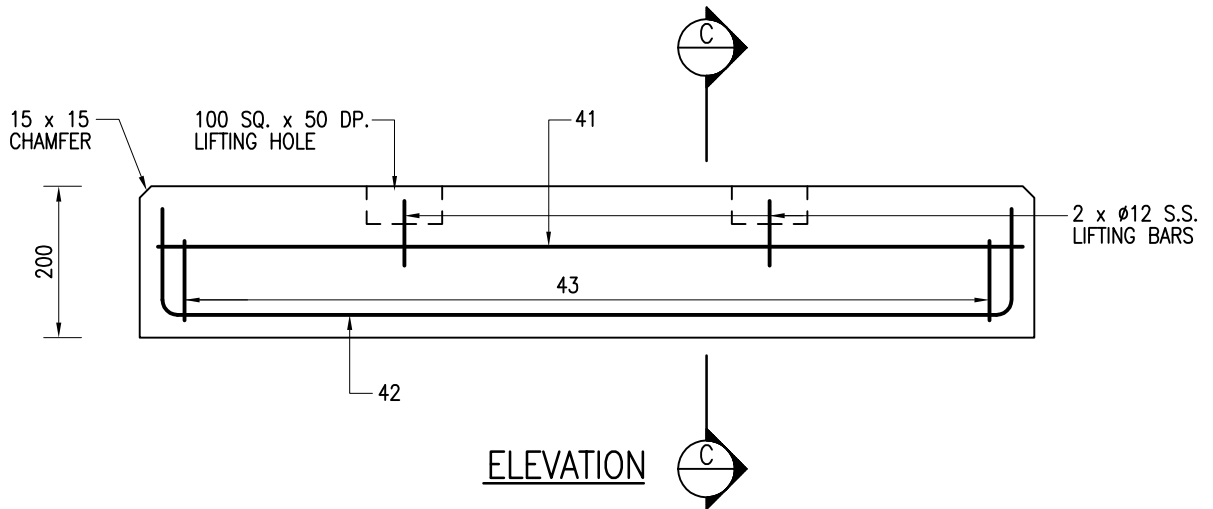
(SHEET 4 OF 6)

CSWP

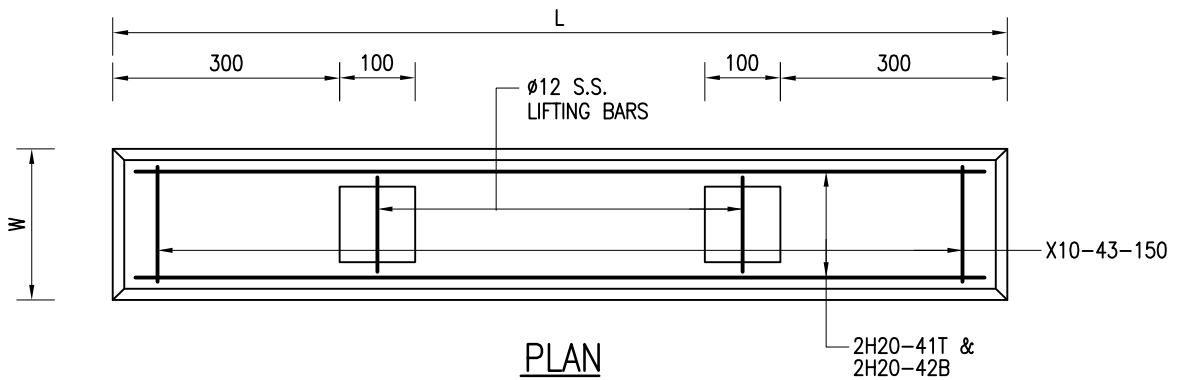
NOMINAL DIA. OF PIPE (DN)	LENGTH 'L'	WIDTH OF COVER 'W'
400	1140	220
450	1190	205
600	1440	215



SECTION C - C

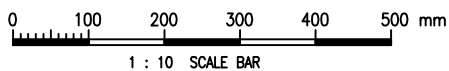


ELEVATION



PLAN

PRECAST CONCRETE COVER



Cad Ref. : WSD014305-A.dwg



水務署
Water Supplies Department

ELECTROMAGNETIC FLOWMETER
CHAMBER FOR PIPE SIZE DN400
OR ABOVE -
R.C. DETAILS

APPROVED

M.C. LEUNG
AD/NW

DATE

3/3/06

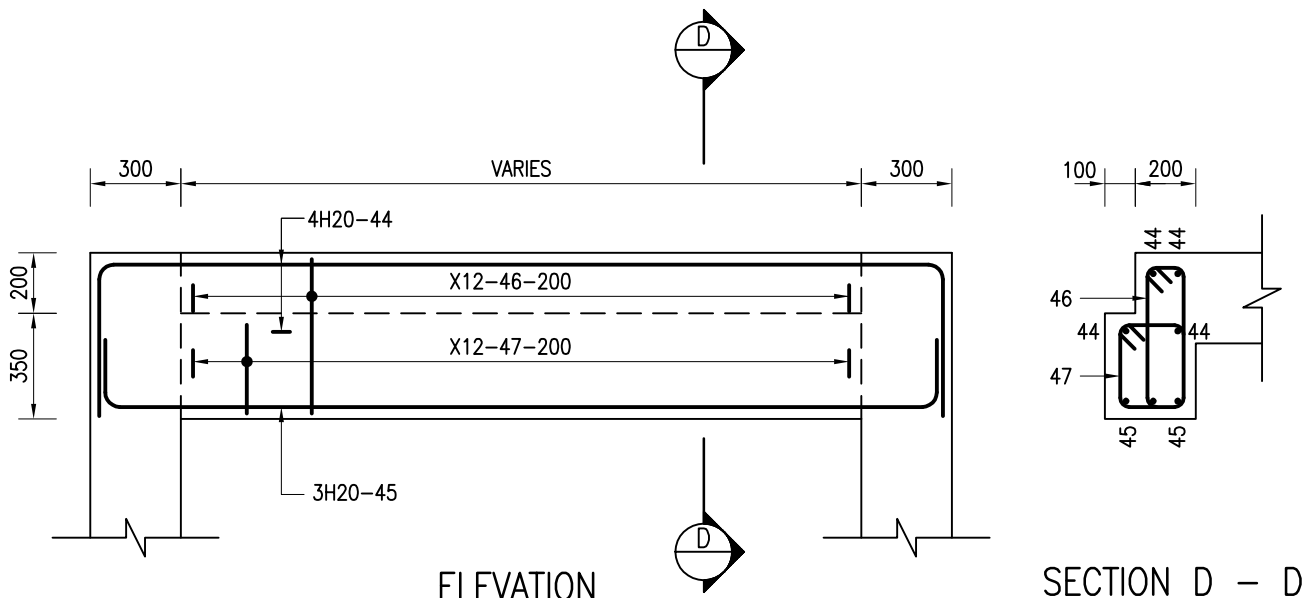
SCALE

1 : 10

DRAWING NO.

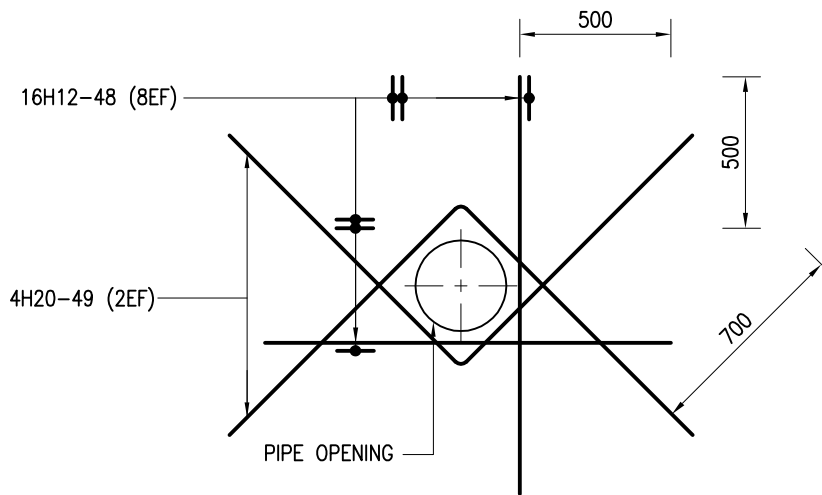
WSD 1.43A
(SHEET 5 OF 6)

CSWP



ELEVATION
R.C. DETAILS OF 300 x 350 ROOF BEAM

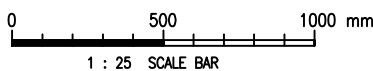
SECTION D - D



ADDITIONAL BARS FOR PIPE OPENING

NOTES :

1. ALL DIMENSIONS ARE IN MILLIMETRES UNLESS OTHERWISE SPECIFIED.
2. MINIMUM LAP LENGTH FOR RIBBED STEEL REINFORCING BARS SHALL BE 43 TIMES THE DIAMETER OF THE SMALLER LAPPED BAR UNLESS OTHERWISE SPECIFIED.
3. NOMINAL COVER TO REINFORCEMENT SHALL BE 40mm FOR CHAMBER AND 25mm FOR PRECAST CONCRETE COVER UNLESS OTHERWISE SPECIFIED.
4. FOR DESCRIPTION OF REINFORCEMENT, REFER TO DRG. NO. WSD 7.1.
5. THIS DRAWING SHALL BE READ IN CONJUNCTION WITH DRG. NO. WSD 1.42.
6. REINFORCEMENT SHALL BE CUT TO SUIT OPENINGS.



Cad Ref. : WSD014306-A.dwg

**ELECTROMAGNETIC FLOWMETER
 CHAMBER FOR PIPE SIZE DN400
 OR ABOVE -
 R.C. DETAILS**



水務署
Water Supplies Department

APPROVED	M.C. LEUNG AD/NW	DRAWING NO.	CSWP
DATE	3/3/06	WSD 1.43A	
SCALE	1 : 25	(SHEET 6 OF 6)	