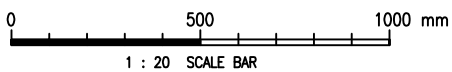
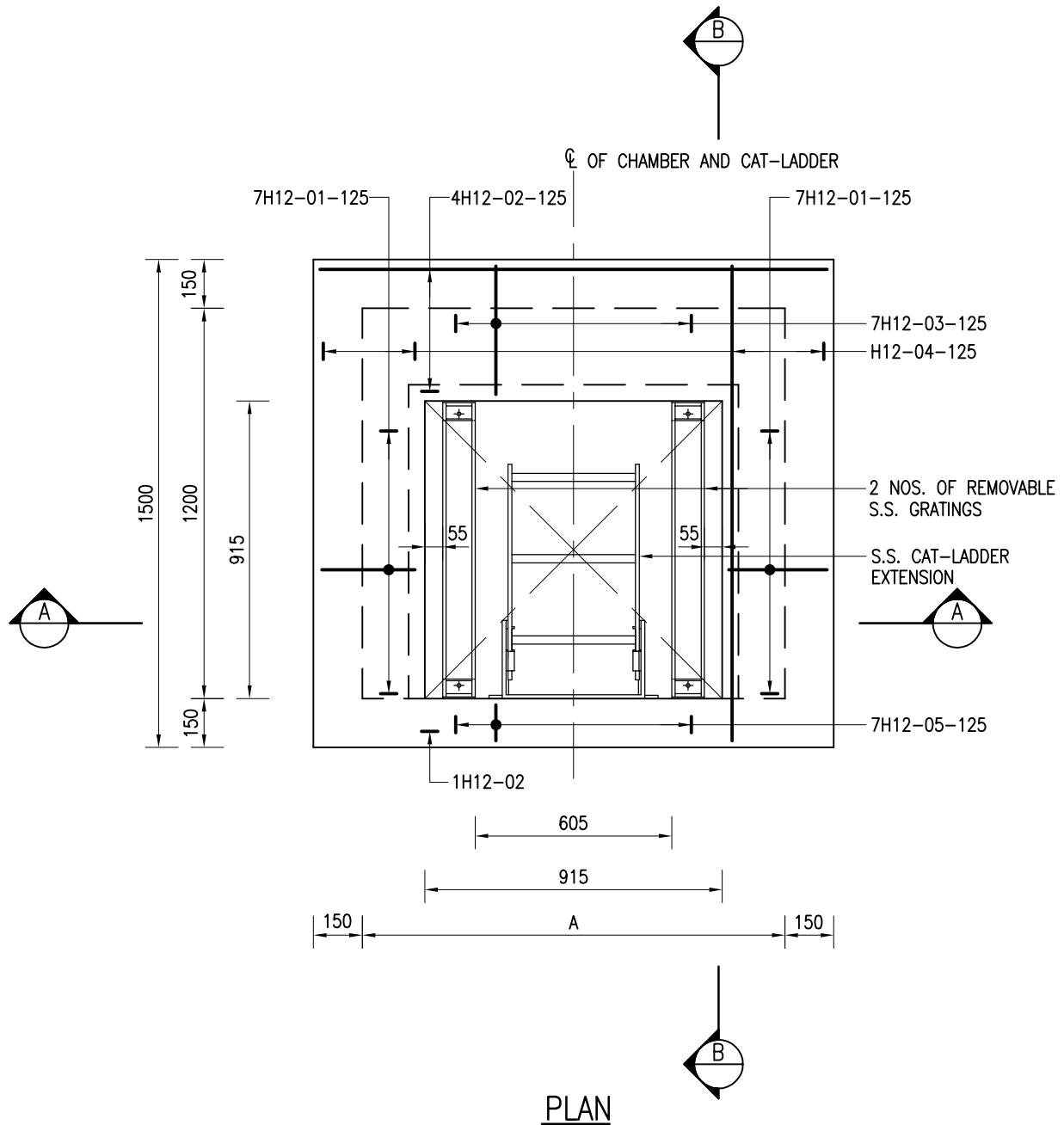


Cad Ref. : WSD014101-B.dwg



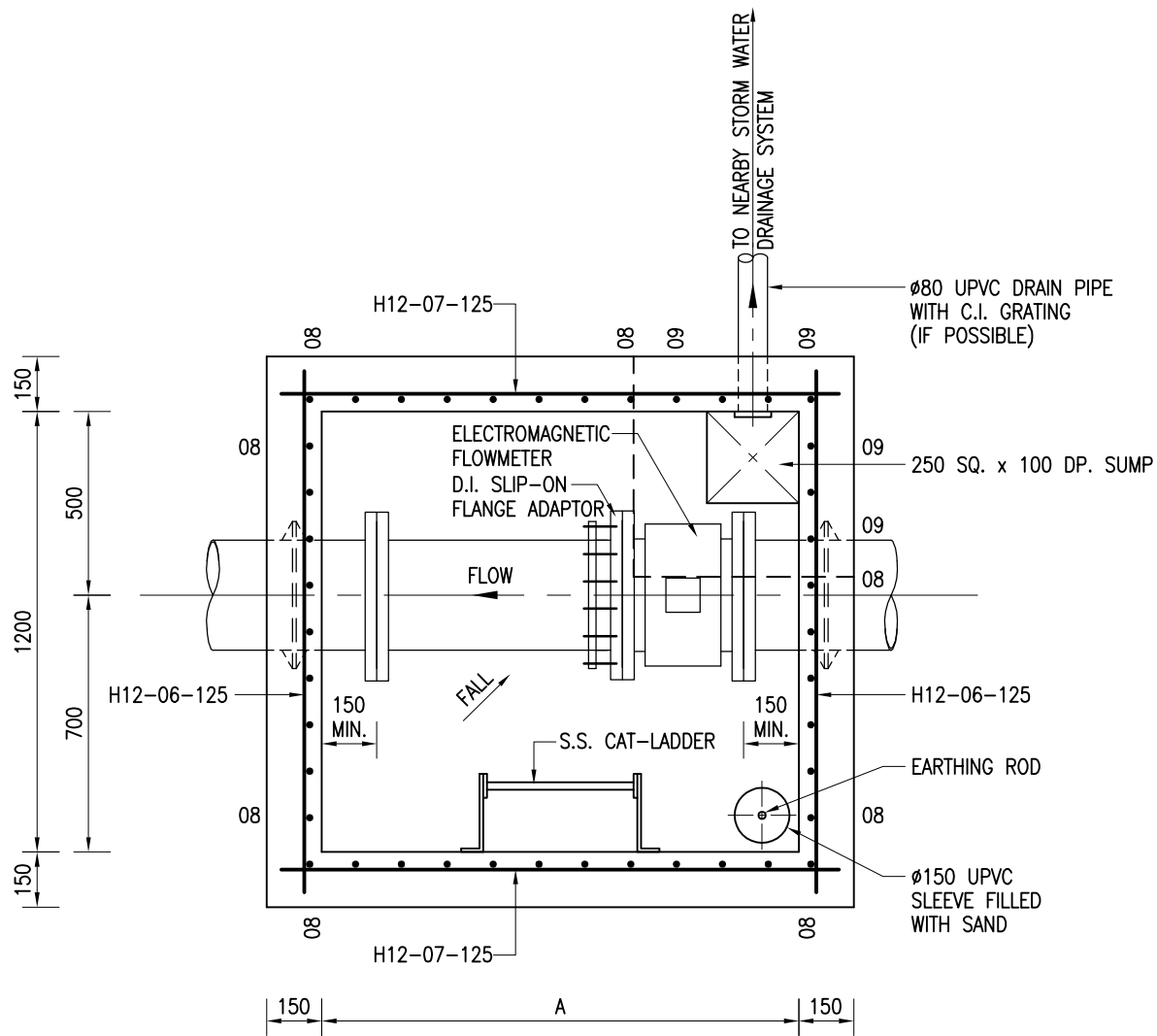
B	REMOVABLE S.S. GRATINGS ADDED AND R.C. DETAILS REVISED	S.K. YEUNG	28/1/15
A	GENERAL REVISION	S.K. YEUNG	2/1/15
REF.	REVISION	APPROVED	DATE

ELECTROMAGNETIC FLOWMETER
CHAMBER FOR PIPE SIZE DN300
OR BELOW

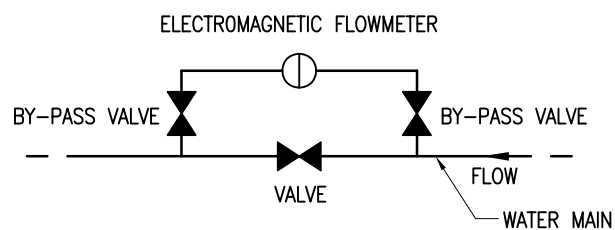


水務署
Water Supplies Department

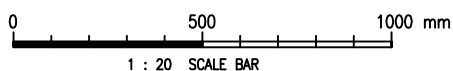
APPROVED	M.C. LEUNG AD/NW	DRAWING NO.	CSWP
DATE	3/3/06	WSD 1.41B	(SHEET 1 OF 5)
SCALE	1 : 20		



SECTIONAL PLAN



CONFIGURATION OF ELECTROMAGNETIC FLOWMETER



Cad Ref. : WSD014102-B.dwg

ELECTROMAGNETIC FLOWMETER
CHAMBER FOR PIPE SIZE DN300
OR BELOW



水務署
Water Supplies Department

APPROVED

M.C. LEUNG
AD/NW

DATE

3/3/06

SCALE

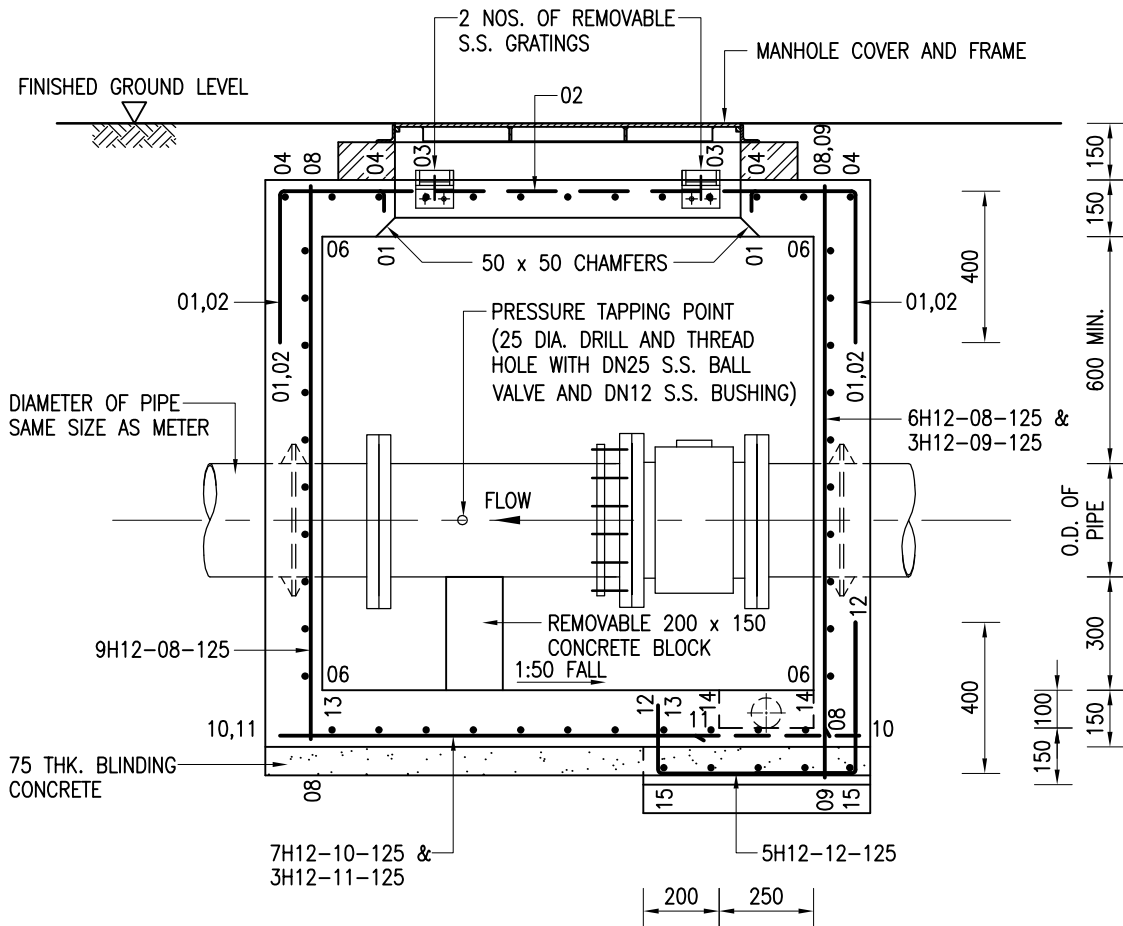
1 : 20

DRAWING NO.

WSD 1.41B

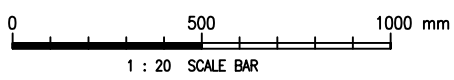
(SHEET 2 OF 5)

CSWP



SECTION A - A

Cad Ref. : WSD014103-B.dwg

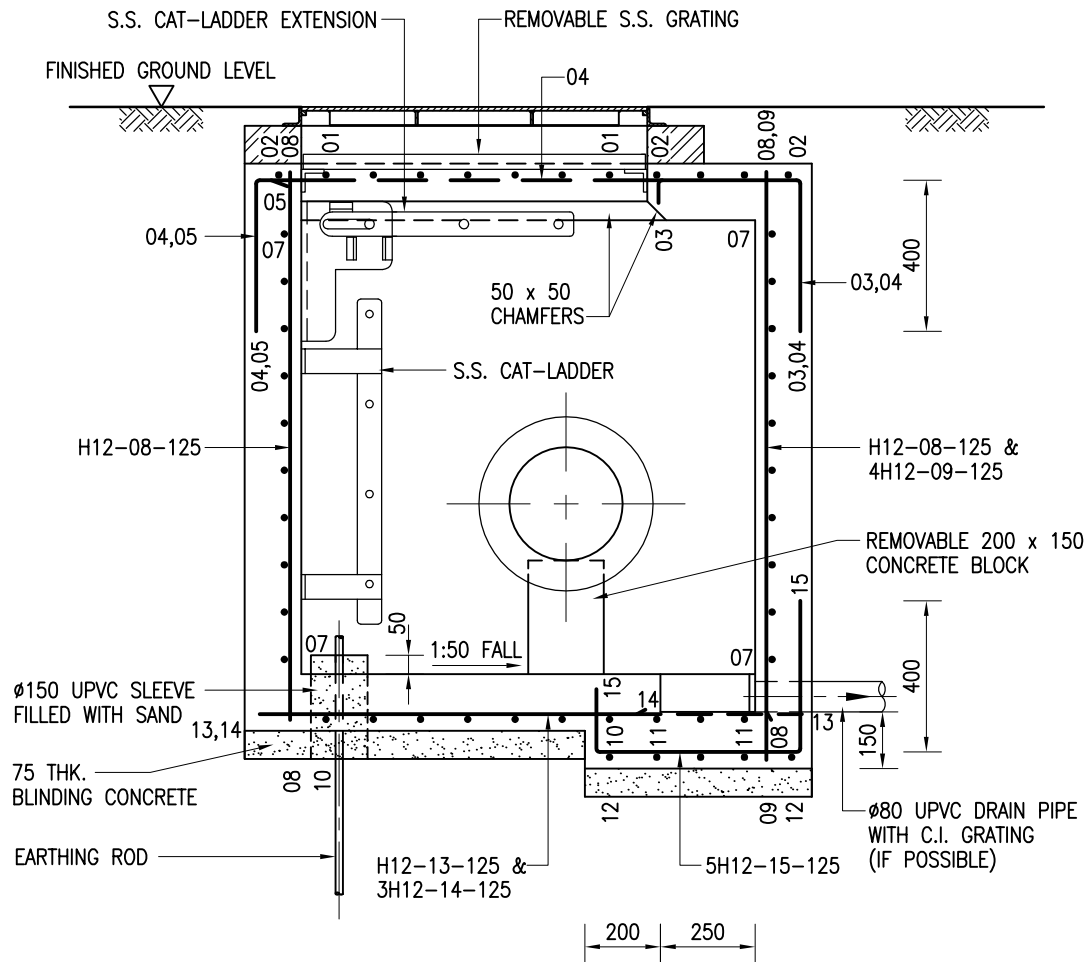


ELECTROMAGNETIC FLOWMETER
CHAMBER FOR PIPE SIZE DN300
OR BELOW

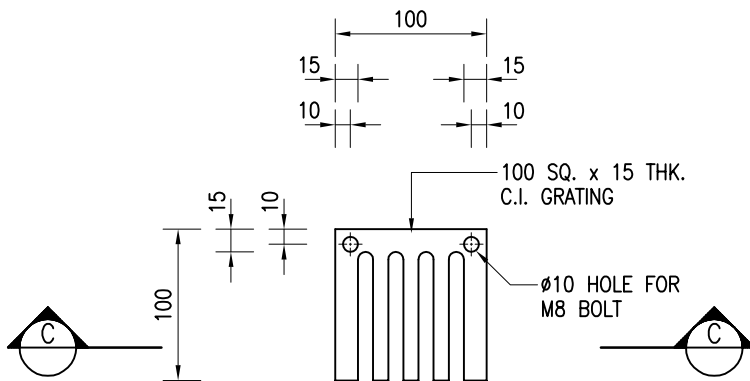


水務署
Water Supplies Department

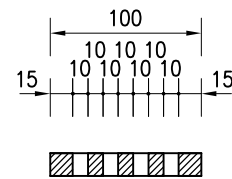
APPROVED	M.C. LEUNG AD/NW	DRAWING NO. WSD 1.41B (SHEET 3 OF 5)	CSWP
DATE	3/3/06		
SCALE	1 : 20		



SECTION B - B



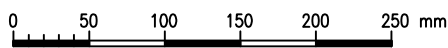
ELEVATION



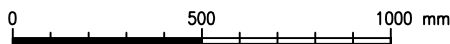
SECTION C - C

DETAILS OF C.I. GRATING

SCALE 1 : 5



1 : 5 SCALE BAR



1 : 20 SCALE BAR

Cad Ref. : WSD014104-B.dwg

ELECTROMAGNETIC FLOWMETER
CHAMBER FOR PIPE SIZE DN300
OR BELOW



水務署
Water Supplies Department

APPROVED

M.C. LEUNG
AD/NW

DATE

3/3/06

SCALE

1 : 20 OR AS SHOWN

DRAWING NO.

WSD 1.41B

(SHEET 4 OF 5)

CSWP

DIMENSIONS OF ELECTROMAGNETIC FLOWMETER CHAMBERS

NOMINAL DIA. OF PIPE (DN)	50	80	100	150	200	250	300
A (mm)	1100	1100	1200	1300	1300	1300	1400

NOTES :

1. ALL DIMENSIONS ARE IN MILLIMETRES UNLESS OTHERWISE SPECIFIED.
2. THE METER CHAMBER SHALL BE SITED IN FOOTWAY OR IN VERGE TO AVOID TRAFFIC. IN CASE CHAMBER IS SITED IN CARRIAGEWAY, STRUCTURAL DETAILS OF THE CHAMBER, PRESSURE TAPPING DETAILS AND CABLE DUCT SHALL BE AS DRAWING NOS. WSD 1.42 AND WSD 1.43 AND A TRANSMITTER AND PRESSURE TAPPING PIT SHALL BE PROVIDED IN FOOTWAY OR IN VERGE. SUCH PIT SHALL BE LOCATED NEAR TO THE CHAMBER SUCH THAT THE LENGTH OF THE NYLON DRAW WIRE INSTALLED FROM THE EARTHING ROD TO THE TRANSMITTER AND PRESSURE TAPPING PIT SHALL NOT EXCEED 18 METRES. UNLESS OTHERWISE AGREED BY THE ENGINEER, THE METER CHAMBER SHALL BE ON A BY-PASS BRANCH OFF THE PRINCIPAL MAIN.
3. THE CENTRE-LINE OF THE PIPEWORK SHALL PREFERABLY BE HORIZONTAL.
4. CONCRETE TO CHAMBER SHALL BE GRADE 35/20D. BLINDING CONCRETE SHALL BE GRADE 20/20D.
5. NOMINAL COVER TO REINFORCEMENT SHALL BE 40mm UNLESS OTHERWISE SPECIFIED.
6. UNLESS OTHERWISE AGREED BY THE ENGINEER, A MINIMUM OF 5D STRAIGHT PIPE UPSTREAM AND 2D STRAIGHT PIPE DOWNSTREAM FROM THE END OF ELECTROMAGNETIC FLOWMETER SHALL NORMALLY BE PROVIDED WHERE D IS THE PIPE OUTSIDE DIAMETER.
7. FOR DESCRIPTION OF REINFORCEMENT, REFER TO DRAWING NO. WSD 7.1.
8. REINFORCEMENT SHALL BE CUT TO SUIT OPENINGS.
9. DRAIN PIPE FOR CHAMBER SHALL BE PROVIDED UNLESS FOUND TO BE IMPOSSIBLE ON SITE. DISCHARGE POINT OF THE DRAIN SHALL BE DETERMINED ON SITE BY THE ENGINEER.
10. FOR TOP TREATMENT APPLIED TO THE MANHOLE COVER, REFER TO DRAWING NO. WSD 1.24.
11. FOR DETAILS OF EARTHING ROD, REFER TO DRAWING NO. WSD 2.18.
12. FOR DETAILS OF S.S. CAT-LADDER, REFER TO DRAWING NO. WSD 7.3.
13. FOR DETAILS OF MANHOLE COVER AND FRAME, REFER TO DRAWING NO. WSD 7.15 IN CASE OF CONCRETE FOOTWAY AND DRAWING NO. WSD 7.51 IN CASE OF FOOTWAY WITH PAVING BLOCKS.
14. THE FLANGES SHALL BE STANDARD FLANGE TYPE PN16 COMPLYING WITH THE RELEVANT REQUIREMENT IN BS EN 1092 UNLESS OTHERWISE SPECIFIED.
15. FOR DETAILS OF IDENTIFICATION TAPE FOR CABLE DUCT, REFER TO DRAWING NO. WSD 7.41.
16. DIMENSIONS OF THE CHAMBER SHALL BE ADJUSTED BY THE CONTRACTOR TO SUIT SITE CONDITIONS. SUCH ADJUSTMENT IN DIMENSIONS OF THE CHAMBER SHALL BE APPROVED BY THE ENGINEER.
17. FOR DETAILS OF REMOVABLE S.S. GRATING, REFER TO DRAWING NO. WSD 1.32.
18. THE REMOVABLE S.S. GRATING, INCLUDING THE BOLTS AND NUTS, SHALL BE OF STEEL DESIGNATION 1.4404 TO BS EN 10088-1.
19. ALL WELDS SHALL BE 3mm FILLET WELD.
20. SHARP EDGES OF ALL STEEL FLATS SHALL BE REMOVED.

Cod Ref. : WSD014105-B.dwg

ELECTROMAGNETIC FLOWMETER
CHAMBER FOR PIPE SIZE DN300
OR BELOW



水務署
Water Supplies Department

APPROVED

M.C. LEUNG
AD/NW

DATE

3/3/06

SCALE

NOT APPLICABLE

DRAWING NO.

WSD 1.41B
(SHEET 5 OF 5)

CSWP