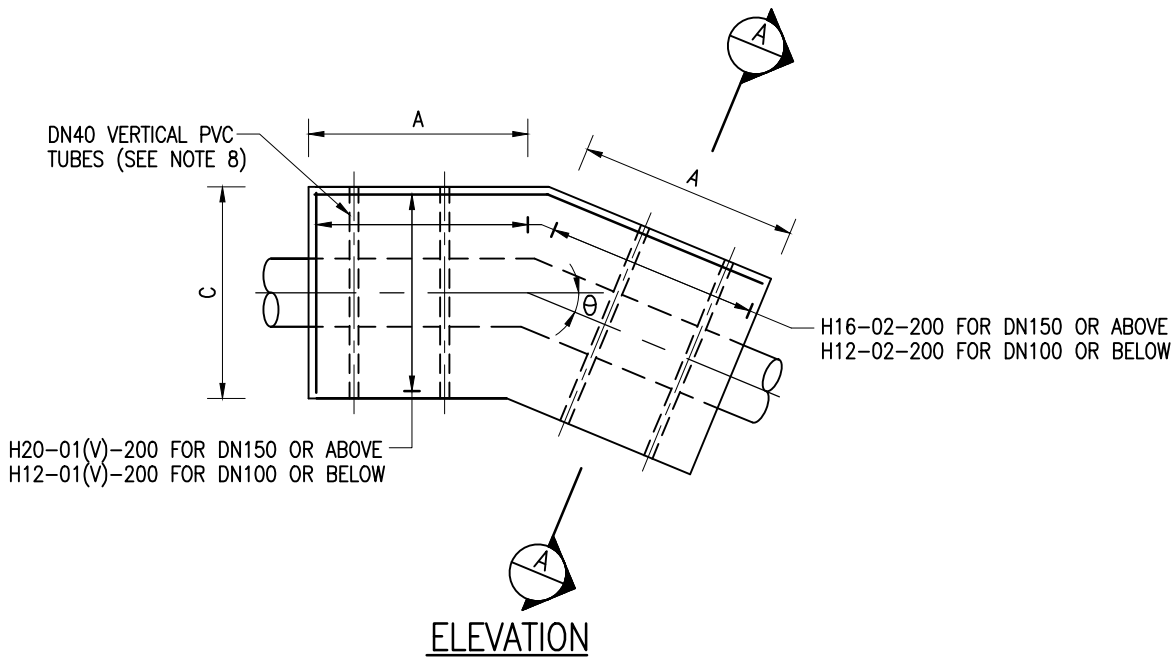


SECTION A - A



ELEVATION

TOP VERTICAL BEND

Cad Ref. : WSD014001-D.dwg

D	NOTE 8 ADDED	W.K. TSUI	15/8/23
C	CONCRETE GRADE REVISED	K.H. HO	28/4/22
B	COVER TO REINFORCEMENT REVISED	S.K. YEUNG	6/1/16
A	GENERAL REVISION	S.K. YEUNG	2/1/15
REF.	REVISION	APPROVED	DATE

TYPICAL BURIED THRUST BLOCK DIMENSIONS - FOR DN450 DUCTILE IRON PIPE OR BELOW

 水務署 Water Supplies Department		DRAWING NO.	WSD 1.40D (SHEET 1 OF 14)
APPROVED	M.C. LEUNG AD/NW	CSWP	
DATE	15/11/04		
SCALE	N.T.S.		

SCHEDULES OF TOP VERTICAL BEND

FOR DN450 PIPE

WORKING HEAD DIMENSIONS θ	60m			70m			80m			90m			100m			110m			120m		
	A	B	C	A	B	C	A	B	C	A	B	C	A	B	C	A	B	C	A	B	C
11.25°	650	1000	900	700	1000	950	800	1000	950	900	1000	950	1000	1000	950	1050	1000	1000	1150	1000	1000
22.5°	1200	1000	1250	1300	1000	1350	1450	1000	1400	1400	1200	1300	1500	1200	1400	1400	1400	1400	1500	1400	1400
45°	1700	1550	1600	1850	1600	1600	1800	1750	1800	1950	1800	1800	1850	2000	2000	2000	2000	2000	2000	2100	2100

FOR DN400 PIPE

WORKING HEAD DIMENSIONS θ	60m			70m			80m			90m			100m			110m			120m		
	A	B	C	A	B	C	A	B	C	A	B	C	A	B	C	A	B	C	A	B	C
11.25°	550	900	900	650	900	900	700	950	900	750	950	950	900	900	900	900	950	950	1000	950	950
22.5°	1200	950	950	1200	950	1150	1300	1000	1200	1200	1200	1200	1300	1200	1200	1300	1250	1300	1350	1300	1300
45°	1600	1400	1400	1550	1600	1600	1700	1600	1600	1750	1700	1700	1800	1750	1750	1900	1800	1800	1900	1900	1900

FOR DN300 PIPE

WORKING HEAD DIMENSIONS θ	60m			70m			80m			90m			100m			110m			120m		
	A	B	C	A	B	C	A	B	C	A	B	C	A	B	C	A	B	C	A	B	C
11.25°	550	700	650	600	700	700	600	800	700	600	800	800	650	800	800	700	800	800	750	800	800
22.5°	900	800	800	950	800	900	1000	800	1000	1100	800	1050	1000	1000	1000	1100	1000	1000	1200	1000	1000
45°	1000	1400	1400	1150	1400	1400	1250	1400	1400	1400	1400	1400	1500	1400	1400	1500	1500	1500	1600	1500	1500

FOR DN250 PIPE

WORKING HEAD DIMENSIONS θ	60m			70m			80m			90m			100m			110m			120m		
	A	B	C	A	B	C	A	B	C	A	B	C	A	B	C	A	B	C	A	B	C
11.25°	450	650	600	500	650	600	550	700	600	550	700	650	600	700	700	650	700	700	700	700	700
22.5°	800	700	700	900	700	750	800	700	1000	900	700	1000	1000	700	1000	1000	850	850	1000	900	900
45°	1100	1000	1100	1000	1200	1200	1150	1200	1200	1250	1200	1200	1250	1300	1300	1350	1300	1300	1450	1300	1300

Cad Ref. : WSD014002-D.dwg

TYPICAL BURIED THRUST BLOCK
DIMENSIONS –
FOR DN450 DUCTILE IRON PIPE
OR BELOW



水務署
Water Supplies Department

APPROVED

M.C. LEUNG
AD/NW

DATE

15/11/04

SCALE

NOT APPLICABLE

DRAWING NO.

WSD 1.40D

(SHEET 2 OF 14)

CSWP

SCHEDULES OF TOP VERTICAL BEND

FOR DN200 PIPE

WORKING HEAD DIMENSIONS θ	60m			70m			80m			90m			100m			110m			120m		
	A	B	C	A	B	C	A	B	C	A	B	C	A	B	C	A	B	C	A	B	C
11.25°	350	600	550	350	600	600	400	600	600	450	600	600	450	700	550	500	700	550	500	700	600
22.5°	600	700	600	650	700	700	700	700	700	800	700	700	850	700	700	850	700	800	900	700	800
45°	1050	700	1000	900	1000	1000	1000	1000	1000	1100	1000	1000	1200	1000	1000	1150	1100	1100	1250	1100	1100

FOR DN150 PIPE

WORKING HEAD DIMENSIONS θ	60m			70m			80m			90m			100m			110m			120m		
	A	B	C	A	B	C	A	B	C	A	B	C	A	B	C	A	B	C	A	B	C
11.25°	250	500	500	300	500	500	300	550	500	300	550	550	400	500	500	400	550	500	400	550	550
22.5°	500	600	500	500	600	600	550	600	600	600	600	600	650	600	600	700	600	600	800	600	600
45°	800	600	800	800	700	800	900	700	900	900	800	800	850	900	900	900	900	900	1000	900	900

FOR DN100 PIPE

WORKING HEAD DIMENSIONS θ	60m			70m			80m			90m			100m			110m			120m		
	A	B	C	A	B	C	A	B	C	A	B	C	A	B	C	A	B	C	A	B	C
11.25°	300	300	300	300	300	350	300	400	300	300	400	350	300	450	350	300	450	350	350	450	350
22.5°	350	450	450	450	400	400	450	450	400	500	450	450	500	450	450	550	450	450	550	450	500
45°	650	450	600	600	600	600	650	600	600	700	600	600	750	600	600	750	650	650	700	700	700

FOR DN80 PIPE

WORKING HEAD DIMENSIONS θ	60m			70m			80m			90m			100m			110m			120m		
	A	B	C	A	B	C	A	B	C	A	B	C	A	B	C	A	B	C	A	B	C
11.25°	200	300	300	250	300	300	250	300	300	300	300	300	300	300	300	250	400	300	300	400	300
22.5°	300	450	300	300	450	400	300	450	450	350	450	450	350	450	450	400	450	450	450	450	450
45°	500	450	500	550	450	550	600	450	550	650	450	650	650	450	650	600	550	600	600	600	600

Cad Ref. : WSD014003-D.dwg

TYPICAL BURIED THRUST BLOCK
DIMENSIONS –
FOR DN450 DUCTILE IRON PIPE
OR BELOW



水務署
Water Supplies Department

APPROVED

M.C. LEUNG
AD/NW

DATE

15/11/04

SCALE

NOT APPLICABLE

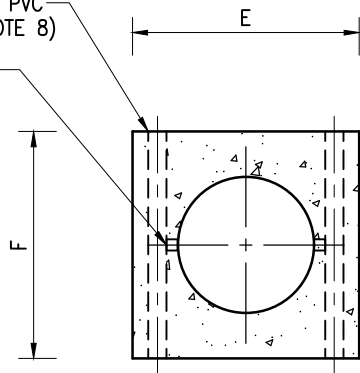
DRAWING NO.

WSD 1.40D
(SHEET 3 OF 14)

CSWP

DN40 VERTICAL PVC
TUBES (SEE NOTE 8)

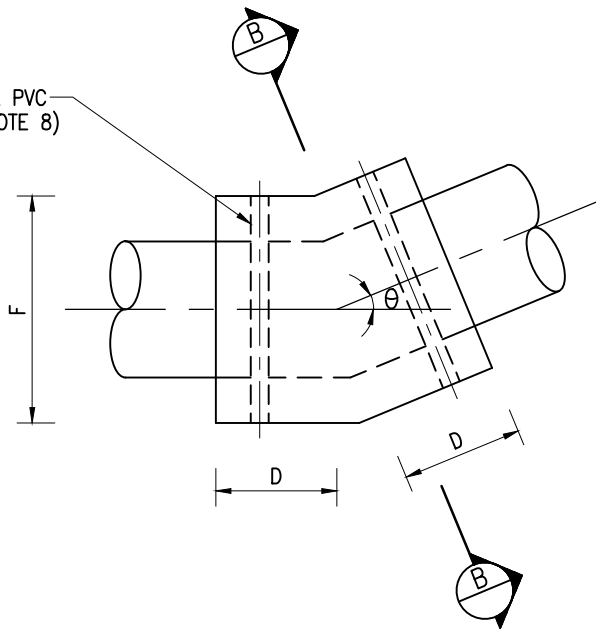
25 THK. CONC.
SPACER BLOCK
TIED ON PVC
TUBES



225 MIN. FOR DN150 OR ABOVE
100 MIN. FOR DN100 OR BELOW

SECTION B - B

DN40 VERTICAL PVC
TUBES (SEE NOTE 8)



ELEVATION

BOTTOM VERTICAL BEND

Cad Ref. : WSD014004-D.dwg

TYPICAL BURIED THRUST BLOCK
DIMENSIONS -
FOR DN450 DUCTILE IRON PIPE
OR BELOW



水務署
Water Supplies Department

APPROVED

M.C. LEUNG
AD/NW

DATE

15/11/04

SCALE

N.T.S.

DRAWING NO.

WSD 1.40D

(SHEET 4 OF 14)

CSWP

SCHEDULES OF BOTTOM VERTICAL BEND

FOR DN450 PIPE

WORKING HEAD DIMENSIONS θ	60m			70m			80m			90m			100m			110m			120m					
	D	E	F	D	E	F	D	E	F	D	E	F	D	E	F	D	E	F	D	E	F			
11.25°	300	750	750	300	750	750	300	750	750	300	750	750	300	750	750	300	750	750	300	750	750	300	750	750
22.5°	300	750	750	400	750	750	400	750	750	500	750	750	500	750	750	500	750	750	600	750	750	600	750	750
45°	700	750	750	900	750	750	900	750	750	1100	750	750	1100	750	750	1100	750	750	1100	750	750	1250	750	750

FOR DN400 PIPE

WORKING HEAD DIMENSIONS θ	60m			70m			80m			90m			100m			110m			120m					
	D	E	F	D	E	F	D	E	F	D	E	F	D	E	F	D	E	F	D	E	F			
11.25°	300	700	700	300	700	700	300	700	700	300	700	700	300	700	700	300	700	700	300	700	700	300	700	700
22.5°	300	700	700	400	700	700	400	700	700	400	700	700	400	700	700	400	700	700	500	700	700	500	700	700
45°	500	700	700	700	700	700	700	700	700	900	700	700	900	700	700	900	700	700	1000	700	700	1050	700	700

FOR DN300 PIPE

WORKING HEAD DIMENSIONS θ	60m			70m			80m			90m			100m			110m			120m					
	D	E	F	D	E	F	D	E	F	D	E	F	D	E	F	D	E	F	D	E	F			
11.25°	300	600	600	300	600	600	300	600	600	300	600	600	300	600	600	300	600	600	300	600	600	300	600	600
22.5°	300	600	600	300	600	600	300	600	600	300	600	600	300	600	600	300	600	600	300	600	600	400	600	600
45°	400	600	600	500	600	600	500	600	600	600	600	600	600	600	600	600	600	600	600	600	600	700	600	600

FOR DN250 PIPE

WORKING HEAD DIMENSIONS θ	60m			70m			80m			90m			100m			110m			120m					
	D	E	F	D	E	F	D	E	F	D	E	F	D	E	F	D	E	F	D	E	F			
11.25°	300	550	550	300	550	550	300	550	550	300	550	550	300	550	550	300	550	550	300	550	550	300	550	550
22.5°	300	550	550	300	550	550	300	550	550	300	550	550	300	550	550	300	550	550	300	550	550	300	550	550
45°	300	550	550	400	550	550	400	550	550	400	550	550	400	550	550	400	550	550	500	550	550	550	550	550

Cad Ref. : WSD014005-D.dwg

TYPICAL BURIED THRUST BLOCK
DIMENSIONS –
FOR DN450 DUCTILE IRON PIPE
OR BELOW



水務署
Water Supplies Department

APPROVED

M.C. LEUNG
AD/NW

DATE

15/11/04

SCALE

NOT APPLICABLE

DRAWING NO.

WSD 1.40D

(SHEET 5 OF 14)

CSWP

SCHEDULES OF BOTTOM VERTICAL BEND

FOR DN200 PIPE

WORKING HEAD DIMENSIONS θ	60m			70m			80m			90m			100m			110m			120m					
	D	E	F	D	E	F	D	E	F	D	E	F	D	E	F	D	E	F	D	E	F			
11.25°	250	500	500	250	500	500	250	500	500	250	500	500	250	500	500	250	500	500	250	500	500	250	500	500
22.5°	250	500	500	250	500	500	250	500	500	250	500	500	250	500	500	250	500	500	250	500	500	250	500	500
45°	250	500	500	250	500	500	250	500	500	300	500	500	300	500	500	400	500	500	450	500	500	500	500	500

FOR DN150 PIPE

WORKING HEAD DIMENSIONS θ	60m			70m			80m			90m			100m			110m			120m					
	D	E	F	D	E	F	D	E	F	D	E	F	D	E	F	D	E	F	D	E	F			
11.25°	200	450	450	200	450	450	200	450	450	200	450	450	200	450	450	200	450	450	200	450	450	200	450	450
22.5°	200	450	450	200	450	450	200	450	450	200	450	450	200	450	450	200	450	450	200	450	450	200	450	450
45°	200	450	450	200	450	450	200	450	450	200	450	450	200	450	450	200	450	450	250	450	450	250	450	450

FOR DN100 PIPE

WORKING HEAD DIMENSIONS θ	60m			70m			80m			90m			100m			110m			120m					
	D	E	F	D	E	F	D	E	F	D	E	F	D	E	F	D	E	F	D	E	F			
11.25°	200	400	400	200	400	400	200	400	400	200	400	400	200	400	400	200	400	400	200	400	400	200	400	400
22.5°	200	400	400	200	400	400	200	400	400	200	400	400	200	400	400	200	400	400	200	400	400	200	400	400
45°	200	400	400	200	400	400	200	400	400	200	400	400	200	400	400	200	400	400	200	400	400	200	400	400

FOR DN80 PIPE

WORKING HEAD DIMENSIONS θ	60m			70m			80m			90m			100m			110m			120m					
	D	E	F	D	E	F	D	E	F	D	E	F	D	E	F	D	E	F	D	E	F			
11.25°	150	300	300	150	300	300	150	300	300	150	300	300	150	300	300	150	300	300	150	300	300	150	300	300
22.5°	150	300	300	150	300	300	150	300	300	150	300	300	150	300	300	150	300	300	150	300	300	150	300	300
45°	150	300	300	150	300	300	150	300	300	150	300	300	150	300	300	150	300	300	150	300	300	150	300	300

TYPICAL BURIED THRUST BLOCK
DIMENSIONS –
FOR DN450 DUCTILE IRON PIPE
OR BELOW



水務署
Water Supplies Department

APPROVED

M.C. LEUNG
AD/NW

DATE

15/11/04

SCALE

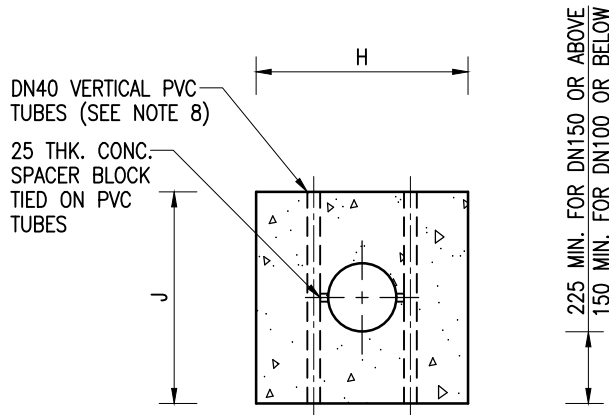
NOT APPLICABLE

DRAWING NO.

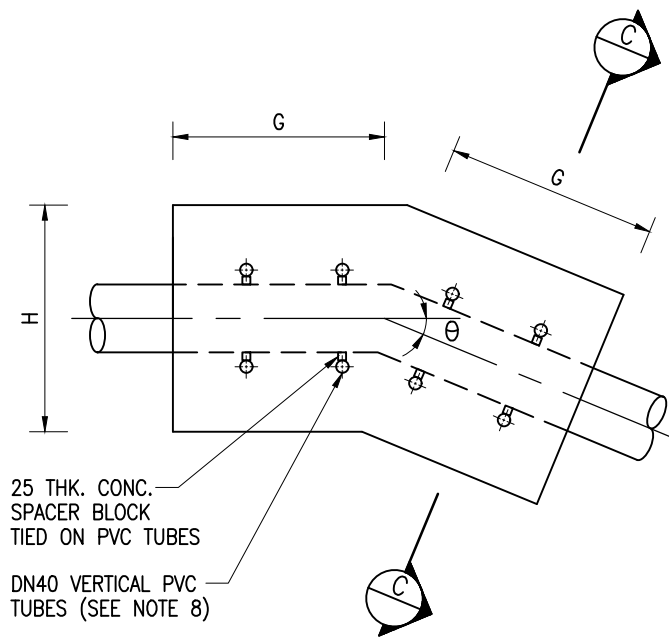
WSD 1.40D

(SHEET 6 OF 14)

CSWP



SECTION C - C



PLAN

HORIZONTAL BEND

Cad Ref. : WSD014007-D.dwg

TYPICAL BURIED THRUST BLOCK
DIMENSIONS -
FOR DN450 DUCTILE IRON PIPE
OR BELOW



水務署
Water Supplies Department

APPROVED

M.C. LEUNG
AD/NW

DATE

15/11/04

SCALE

N.T.S.

DRAWING NO.

WSD 1.40D

(SHEET 7 OF 14)

CSWP

SCHEDULES OF HORIZONTAL BEND

FOR DN450 PIPE

WORKING HEAD DIMENSIONS θ	60m			70m			80m			90m			100m			110m			120m		
	G	H	J	G	H	J	G	H	J	G	H	J	G	H	J	G	H	J	G	H	J
11.25°	850	1100	1100	1000	1100	1050	1000	1150	1150	1250	1100	1100	1150	1200	1200	1250	1200	1200	1350	1200	1200
22.5°	1200	1300	1300	1400	1300	1300	1400	1400	1400	1400	1500	1500	1500	1500	1500	1600	1500	1500	1600	1600	1600
45°	1600	1650	1700	1750	1700	1700	1800	1800	1800	1900	1900	1900	1850	2000	2000	2000	2000	2000	2000	2100	2100

FOR DN400 PIPE

WORKING HEAD DIMENSIONS θ	60m			70m			80m			90m			100m			110m			120m		
	G	H	J	G	H	J	G	H	J	G	H	J	G	H	J	G	H	J	G	H	J
11.25°	800	1050	950	850	1050	1050	750	1200	1200	850	1200	1200	900	1200	1200	1000	1200	1200	1100	1200	1200
22.5°	1200	1150	1150	1300	1200	1200	1250	1300	1300	1400	1300	1300	1350	1400	1400	1300	1500	1500	1400	1500	1500
45°	1400	1600	1600	1600	1600	1600	1650	1700	1700	1800	1700	1700	1800	1800	1800	1950	1800	1800	1900	1900	1900

FOR DN300 PIPE

WORKING HEAD DIMENSIONS θ	60m			70m			80m			90m			100m			110m			120m		
	G	H	J	G	H	J	G	H	J	G	H	J	G	H	J	G	H	J	G	H	J
11.25°	600	950	800	700	950	800	700	950	900	800	950	850	750	1000	1000	800	1000	1000	900	1000	1000
22.5°	900	1000	1000	1100	1000	1000	1000	1100	1100	1100	1100	1100	1050	1200	1200	1150	1200	1200	1250	1200	1200
45°	1200	1300	1300	1350	1300	1300	1350	1400	1400	1500	1400	1400	1450	1500	1500	1550	1500	1500	1550	1600	1600

FOR DN250 PIPE

WORKING HEAD DIMENSIONS θ	60m			70m			80m			90m			100m			110m			120m		
	G	H	J	G	H	J	G	H	J	G	H	J	G	H	J	G	H	J	G	H	J
11.25°	500	850	750	500	850	850	600	850	800	650	850	850	700	850	850	800	850	800	850	850	850
22.5°	800	900	900	900	900	900	1000	900	900	950	1000	1000	1050	1000	1000	1100	1000	1000	1200	1000	1000
45°	1000	1200	1200	1150	1200	1200	1250	1200	1200	1200	1300	1300	1200	1400	1400	1350	1350	1350	1400	1400	1400

TYPICAL BURIED THRUST BLOCK
DIMENSIONS –
FOR DN450 DUCTILE IRON PIPE
OR BELOW



水務署
Water Supplies Department

APPROVED	M.C. LEUNG AD/NW	DRAWING NO.	CSWP
DATE	15/11/04	WSD 1.40D (SHEET 8 OF 14)	
SCALE	NOT APPLICABLE		

SCHEDULES OF HORIZONTAL BEND

FOR DN200 PIPE

WORKING HEAD DIMENSIONS θ	60m			70m			80m			90m			100m			110m			120m		
	G	H	J	G	H	J	G	H	J	G	H	J	G	H	J	G	H	J	G	H	J
11.25°	400	850	600	400	850	700	450	850	700	500	850	700	550	850	700	600	850	700	650	850	700
22.5°	700	850	700	700	850	800	750	850	850	850	900	800	800	900	900	900	900	900	1000	900	900
45°	900	1000	1000	1000	1000	1000	900	1200	1200	950	1200	1200	1050	1200	1200	1100	1200	1200	1200	1200	1200

FOR DN150 PIPE

WORKING HEAD DIMENSIONS θ	60m			70m			80m			90m			100m			110m			120m		
	G	H	J	G	H	J	G	H	J	G	H	J	G	H	J	G	H	J	G	H	J
11.25°	300	700	500	300	750	600	300	750	700	300	750	750	350	750	750	350	800	750	350	800	800
22.5°	450	750	700	500	750	750	550	750	750	600	750	750	600	800	800	650	800	800	700	800	800
45°	800	800	800	800	900	900	850	900	900	900	900	900	1000	900	900	900	1000	1000	1000	1000	1000

FOR DN100 PIPE

WORKING HEAD DIMENSIONS θ	60m			70m			80m			90m			100m			110m			120m		
	G	H	J	G	H	J	G	H	J	G	H	J	G	H	J	G	H	J	G	H	J
11.25°	200	700	400	250	700	400	250	700	400	300	700	400	300	700	400	350	700	400	350	700	400
22.5°	350	700	450	400	700	450	450	700	450	500	700	450	550	700	450	600	700	450	650	700	450
45°	500	700	700	550	700	700	550	800	800	700	700	700	600	800	800	650	800	800	700	800	800

FOR DN80 PIPE

WORKING HEAD DIMENSIONS θ	60m			70m			80m			90m			100m			110m			120m		
	G	H	J	G	H	J	G	H	J	G	H	J	G	H	J	G	H	J	G	H	J
11.25°	150	700	350	200	700	350	200	700	350	200	700	400	200	700	400	250	700	400	250	700	400
22.5°	300	700	400	300	700	400	300	700	450	350	700	450	400	700	400	400	700	450	400	700	500
45°	450	700	500	450	700	600	500	700	600	550	700	600	600	700	600	650	700	600	700	700	550

Cad Ref. : WSD014009-D.dwg

TYPICAL BURIED THRUST BLOCK
DIMENSIONS –
FOR DN450 DUCTILE IRON PIPE
OR BELOW



水務署
Water Supplies Department

APPROVED

M.C. LEUNG
AD/NW

DATE

15/11/04

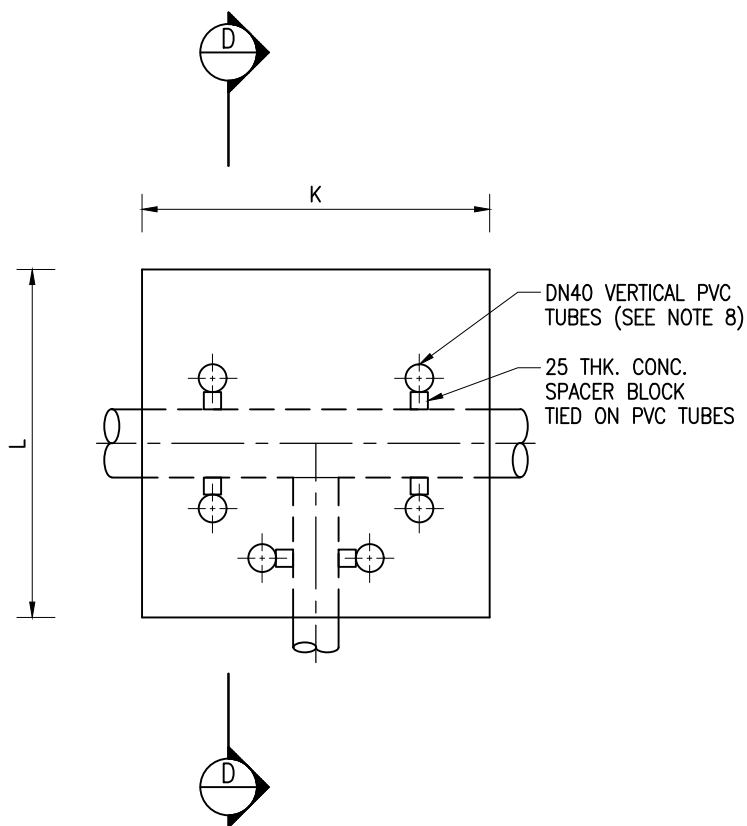
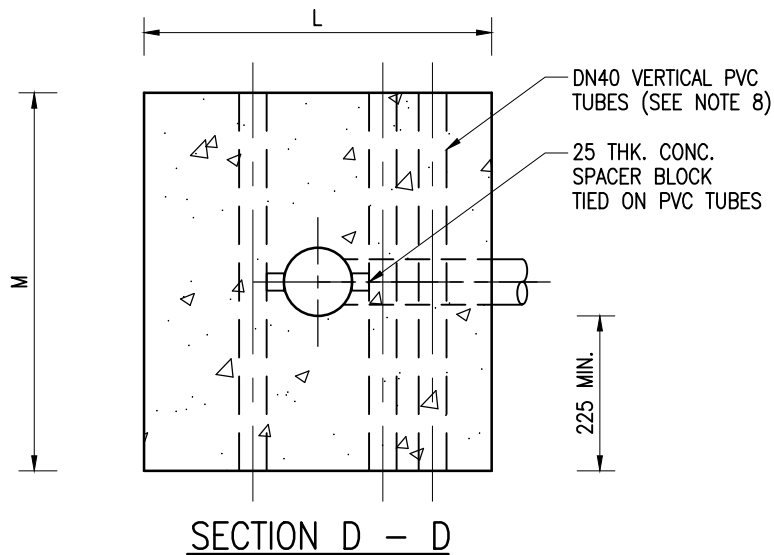
SCALE

NOT APPLICABLE

DRAWING NO.

WSD 1.40D
(SHEET 9 OF 14)

CSWP



PLAN
90° TEE BLOCK

Cad Ref. : WSD014010-D.dwg

TYPICAL BURIED THRUST BLOCK DIMENSIONS - FOR DN450 DUCTILE IRON PIPE OR BELOW



水務署
Water Supplies Department

APPROVED

M.C. LEUNG
AD/NW

DRAWING NO.

CSWP

DATE

15/11/04

WSD 1.40D

SCALE

N.T.S.

(SHEET 10 OF 14)

SCHEDULES OF 90° TEE BLOCK

WORKING HEAD	60m			70m			80m			90m			100m			110m			120m		
PIPE SIZE	DIMENSIONS																				
	K	L	M	K	L	M	K	L	M	K	L	M	K	L	M	K	L	M	K	L	M
DN450 x dn450	2100	2100	2100	2200	2200	2200	2300	2300	2300	2350	2400	2400	2400	2500	2500	2600	2500	2500	2900	2500	2500
DN450 x dn400	1800	2000	2000	2100	2000	2000	2200	2100	2100	2200	2200	2200	2250	2300	2300	2450	2300	2300	2500	2400	2400
DN450 x dn300	1800	1500	1500	1850	1600	1600	2200	1600	1600	1900	1800	1800	2100	1800	1800	2050	1900	1900	2050	2000	2000
DN450 x dn250	1500	1400	1400	1500	1500	1500	1700	1500	1500	1900	1500	1500	2100	1500	1500	2050	1600	1600	1950	1700	1700
DN450 x dn200	1300	1200	1200	1300	1300	1300	1450	1300	1300	1400	1400	1400	1550	1400	1400	1500	1500	1500	1600	1500	1500
DN450 x dn150	1100	1000	1000	1050	1100	1100	1200	1100	1100	1100	1200	1200	1200	1200	1200	1350	1200	1200	1250	1300	1300
DN400 x dn400	1800	2000	2000	2100	2000	2000	2200	2100	2100	2200	2200	2200	2250	2300	2300	2450	2300	2300	2500	2400	2400
DN400 x dn300	1800	1500	1500	1850	1600	1600	2100	1600	1600	1900	1800	1800	2050	1800	1800	2050	1900	1900	2050	2000	2000
DN400 x dn250	1450	1400	1400	1450	1500	1500	1650	1500	1500	1900	1500	1500	2100	1500	1500	2000	1600	1600	1950	1700	1700
DN400 x dn200	1300	1200	1200	1250	1300	1300	1450	1300	1300	1400	1400	1400	1550	1400	1400	1500	1500	1500	1600	1500	1500
DN400 x dn150	1100	1000	1000	1000	1100	1100	1150	1100	1100	1100	1200	1200	1200	1200	1200	1350	1200	1200	1250	1300	1300
DN300 x dn300	1800	1500	1500	1800	1600	1600	2100	1600	1600	1900	1800	1800	2050	1800	1800	2000	1900	1900	2050	2000	2000
DN300 x dn250	1450	1400	1400	1450	1500	1500	1650	1500	1500	1900	1500	1500	2050	1500	1500	2000	1600	1600	1950	1700	1700
DN300 x dn200	1250	1200	1200	1250	1300	1300	1400	1300	1300	1400	1400	1400	1500	1400	1400	1450	1500	1500	1600	1500	1500
DN300 x dn150	1050	1000	1000	1000	1100	1100	1150	1100	1100	1100	1200	1200	1200	1200	1200	1300	1200	1200	1250	1300	1300
DN250 x dn250	1400	1400	1400	1450	1500	1500	1650	1500	1500	1900	1500	1500	2050	1500	1500	2000	1600	1600	1950	1700	1700
DN250 x dn200	1250	1200	1200	1350	1250	1250	1400	1300	1300	1400	1400	1400	1500	1400	1400	1450	1500	1500	1600	1500	1500
DN250 x dn150	1000	1000	1000	1000	1100	1100	1100	1100	1100	1100	1200	1200	1150	1200	1200	1300	1200	1200	1250	1300	1300
DN200 x dn200	1250	1200	1200	1350	1250	1250	1400	1300	1300	1400	1400	1400	1500	1400	1400	1450	1500	1500	1600	1500	1500
DN200 x dn150	1000	1000	1000	1000	1100	1100	1100	1100	1100	1100	1200	1200	1150	1200	1200	1300	1200	1200	1250	1300	1300
DN150 x dn150	1000	1000	1000	1000	1100	1100	1100	1100	1100	1100	1200	1200	1150	1200	1200	1300	1200	1200	1250	1300	1300
DN150 x dn100	800	750	750	800	800	800	950	800	800	850	900	900	900	900	900	1000	900	900	900	1000	1000

Cad Ref. : WSD014011-D.dwg

TYPICAL BURIED THRUST BLOCK
DIMENSIONS –
FOR DN450 DUCTILE IRON PIPE
OR BELOW



水務署
Water Supplies Department

APPROVED

M.C. LEUNG
AD/NW

DATE

15/11/04

SCALE

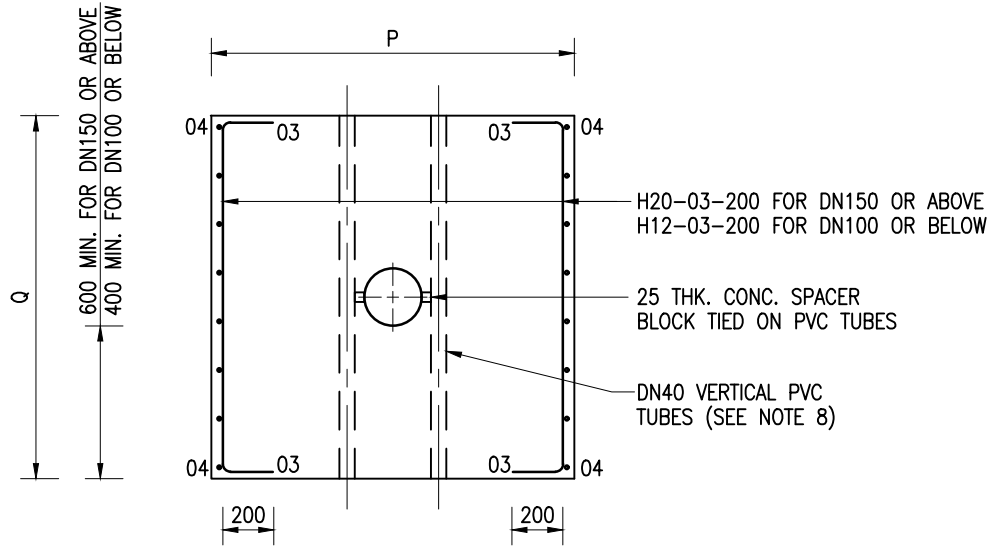
NOT APPLICABLE

DRAWING NO.

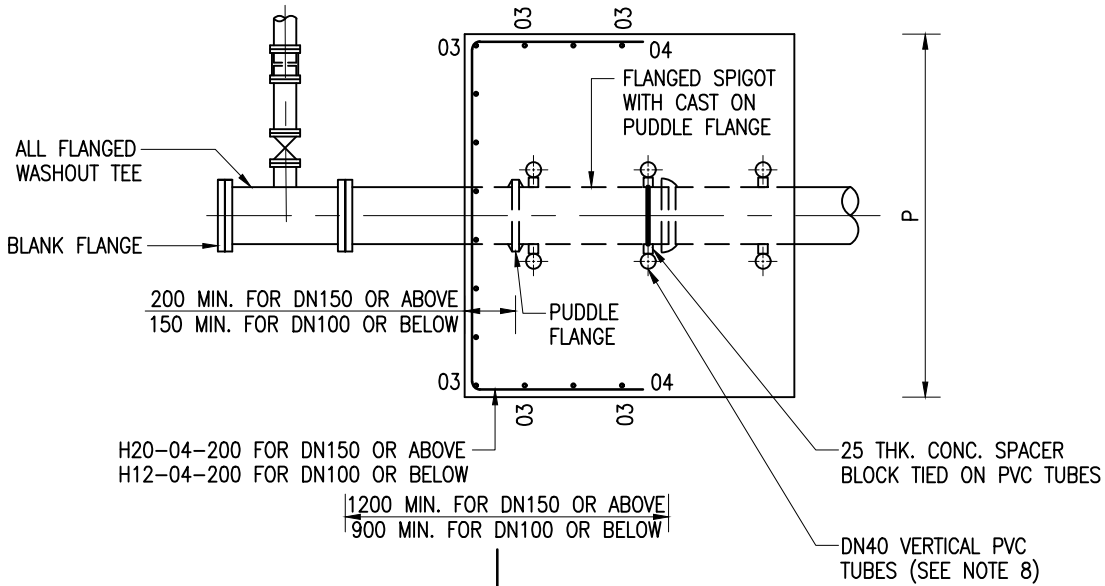
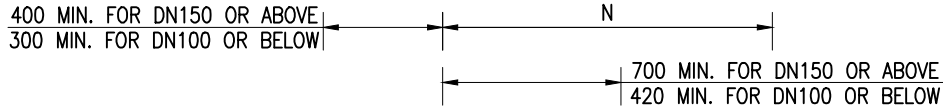
WSD 1.40D

(SHEET 11 OF 14)

CSWP



SECTION E - E



PLAN



END BLOCK

Cad Ref. : WSD014012-D.dwg

TYPICAL BURIED THRUST BLOCK
DIMENSIONS -
FOR DN450 DUCTILE IRON PIPE
OR BELOW



水務署
Water Supplies Department

APPROVED

M.C. LEUNG
AD/NW

DATE

15/11/04

SCALE

N.T.S.

DRAWING NO.

WSD 1.40D

(SHEET 12 OF 14)

CSWP

SCHEDULES OF END BLOCK

WORKING HEAD	60m			70m			80m			90m			100m			110m			120m		
PIPE SIZE	DIMENSIONS																				
	N	P	Q	N	P	Q	N	P	Q	N	P	Q	N	P	Q	N	P	Q	N	P	Q
DN450	2250	2000	2000	2150	2200	2200	2250	2300	2300	2350	2400	2400	2400	2500	2500	2600	2500	2500	2850	2500	2500
DN400	2000	1900	1900	2100	2000	2000	2150	2100	2100	2200	2200	2200	2250	2300	2300	2450	2300	2300	2450	2400	2400
DN300	1550	1600	1600	1600	1700	1700	1850	1700	1700	1850	1800	1800	1850	1900	1900	2000	1900	1900	2000	2000	2000
DN250	1400	1400	1400	1450	1500	1500	1650	1500	1500	1600	1600	1600	1800	1600	1600	1750	1700	1700	1700	1800	1800
DN200	1250	1200	1200	1250	1300	1300	1400	1300	1300	1350	1400	1400	1500	1400	1400	1450	1500	1500	1550	1500	1500
DN150	1000	1000	1000	1000	1100	1100	1100	1100	1100	1050	1200	1200	1150	1200	1200	1250	1200	1200	1400	1200	1200
DN100	900	700	700	900	800	800	900	850	850	850	900	900	900	900	900	1000	900	900	900	1000	1000
DN80	800	600	600	800	650	650	800	700	700	800	750	750	800	800	800	800	800	800	900	800	800

Cad Ref. : WSD014013-D.dwg

TYPICAL BURIED THRUST BLOCK
DIMENSIONS –
FOR DN450 DUCTILE IRON PIPE
OR BELOW



水務署
Water Supplies Department

APPROVED	M.C. LEUNG AD/NW	DRAWING NO.	CSWP
DATE	15/11/04	WSD 1.40D (SHEET 13 OF 14)	
SCALE	NOT APPLICABLE		

NOTES :

1. ALL DIMENSIONS ARE IN MILLIMETRES.
2. CONCRETE FOR THRUST BLOCKS SHALL BE GRADE 10/20D.
3. DESIGN CRITERIA AND ASSUMPTIONS ARE AS STATED IN SECTION 1.9.9 OF VOLUME II OF CIVIL ENGINEERING DESIGN MANUAL.
4. NOMINAL COVER TO REINFORCEMENT SHALL BE 75mm UNLESS OTHERWISE SPECIFIED.
5. CONCRETE AT THE SIDES OF THRUST BLOCKS SHALL BE CAST AGAINST SOIL FACES UNLESS OTHERWISE DIRECTED BY THE ENGINEER.
6. AFTER COMPLETION OF THE PIPEWORK, THE TRENCH SHALL BE BACKFILLED IN ACCORDANCE WITH GS CLAUSE 6.48 AND THE ORIGINAL GROUND REINSTATED. IF THE TRENCH IS LOCATED IN A CARRIAGEWAY, FOOTWAY OR CYCLE TRACK, THE CARRIAGEWAY, FOOTWAY OR CYCLE TRACK SHALL BE REINSTATED IN ACCORDANCE WITH DRAWING NO. WSD 1.2.
7. MINIMUM OVERBURDEN ON TOP OF THRUST BLOCK SHALL BE 500mm. THE TYPICAL DIMENSIONS ARE NOT APPLICABLE TO BURIED THRUST BLOCKS ON CROSS-COUNTRY MAINS WHERE PIPE COVER IS LESS THAN 600mm.
8. VERTICAL PVC TUBES SHALL BE PROVIDED FOR THRUST BLOCK WITH MINIMUM WIDTH (DIMENSIONS B, E, H, L AND P) OF 1000mm. THE SPACING SHALL BE 300 C/C ALONG THE PIPE DIRECTION.

Cad Ref. : WSD014014-D.dwg

TYPICAL BURIED THRUST BLOCK
DIMENSIONS –
FOR DN450 DUCTILE IRON PIPE
OR BELOW



水務署
Water Supplies Department

APPROVED	M.C. LEUNG AD/NW	DRAWING NO.	CSWP
DATE	15/11/04	WSD 1.40D	
SCALE	NOT APPLICABLE	(SHEET 14 OF 14)	