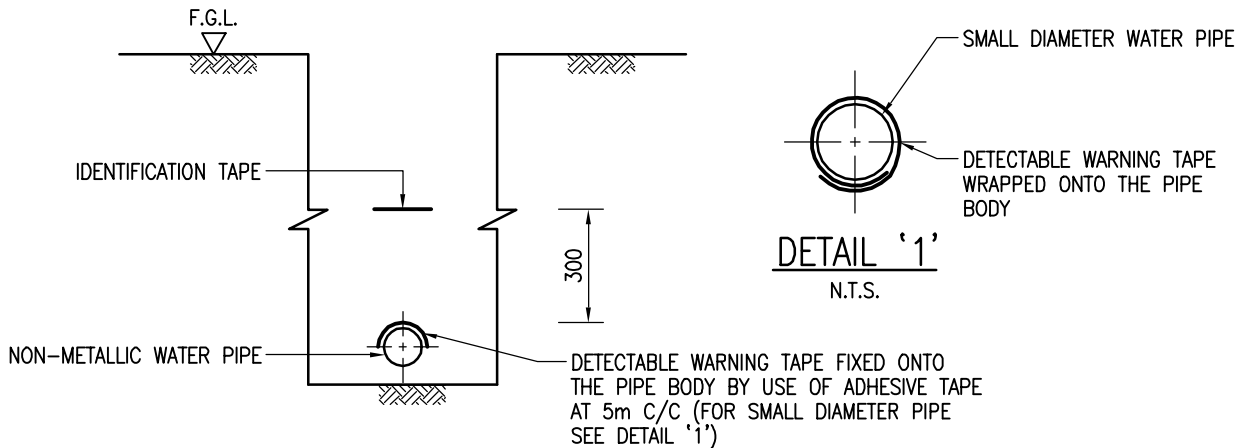
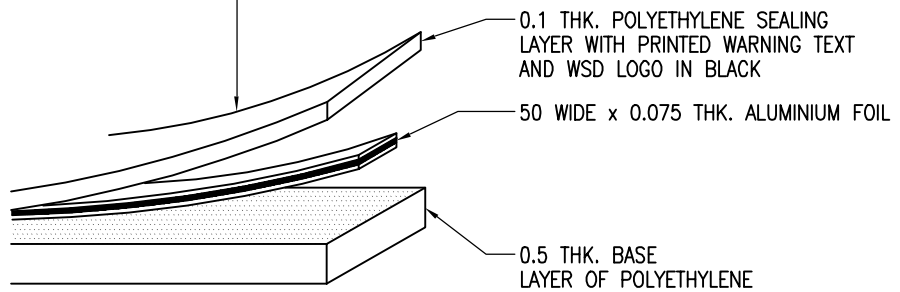


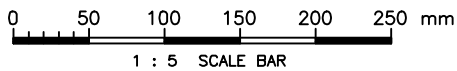


TOP LAYER IS BRIGHT BLUE IN  
COLOUR TO BS5252F CODE 20E53



**LAYING OF THE IDENTIFICATION TAPE AND DETECTABLE  
WARNING TAPE ABOVE NON-METALLIC WATER PIPE**

N.T.S.



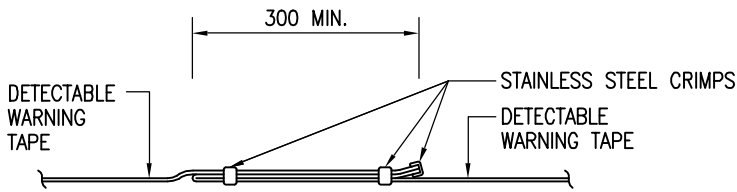
B	RE-FORMATTED TO CSWP	W.K. CHIU	5/9/03
A	GENERAL REVISION	W.K. CHIU	20/9/00
REF.	REVISION	APPROVED	DATE

DETECTABLE WARNING TAPE

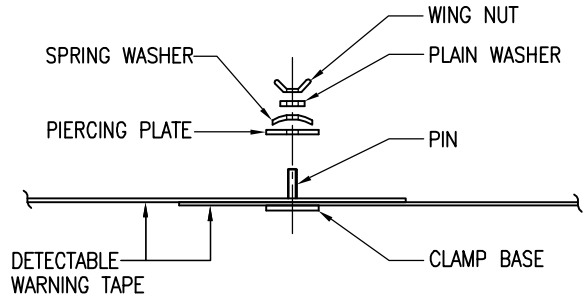


水務署  
Water Supplies Department

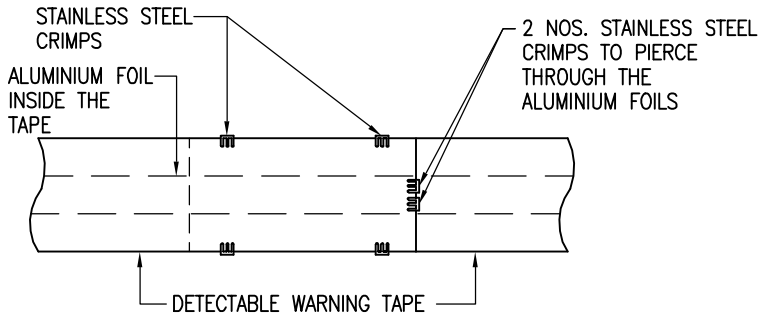
APPROVED	M.C. LEUNG AD/NW	DRAWING NO. WSD 1.37B (SHEET 1 OF 3)	CSWP
DATE	17/6/99		
SCALE	1 : 5 OR AS SHOWN		



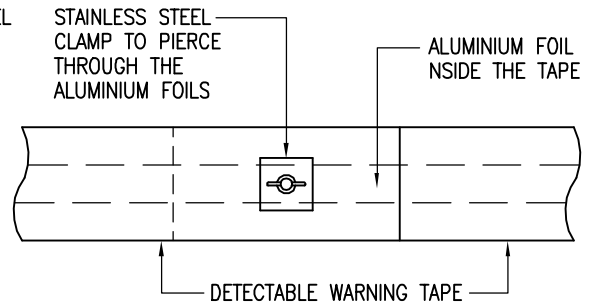
ELEVATION



ELEVATION



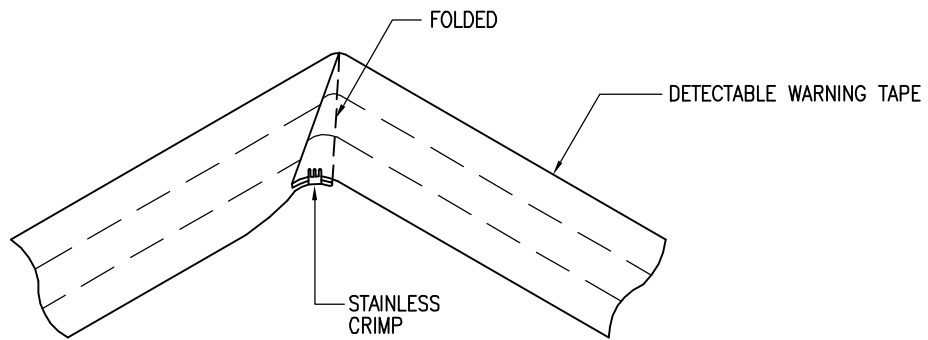
PLAN



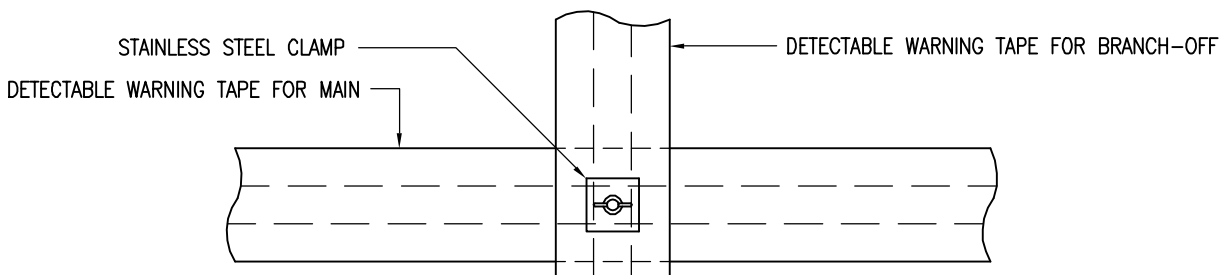
PLAN

(ALTERNATIVE METHOD)

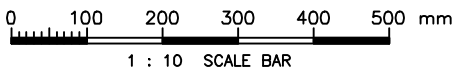
JOINTING DETAILS OF DETECTABLE WARNING TAPE



DETAILS OF CHANGE OF DIRECTION FOR DETECTABLE WARNING TAPE



T-JOINT FOR BRANCH-OFF CONNECTION



DETECTABLE WARNING TAPE



水務署  
Water Supplies Department

APPROVED

M.C. LEUNG  
AD/NW

DATE

17/6/99

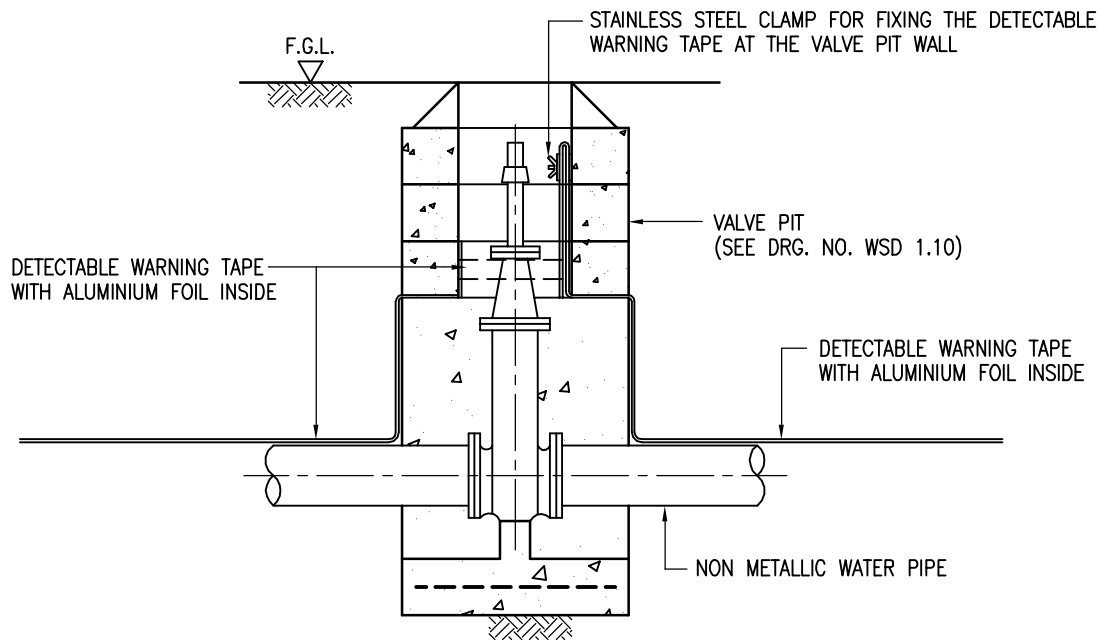
SCALE

1 : 10

DRAWING NO.

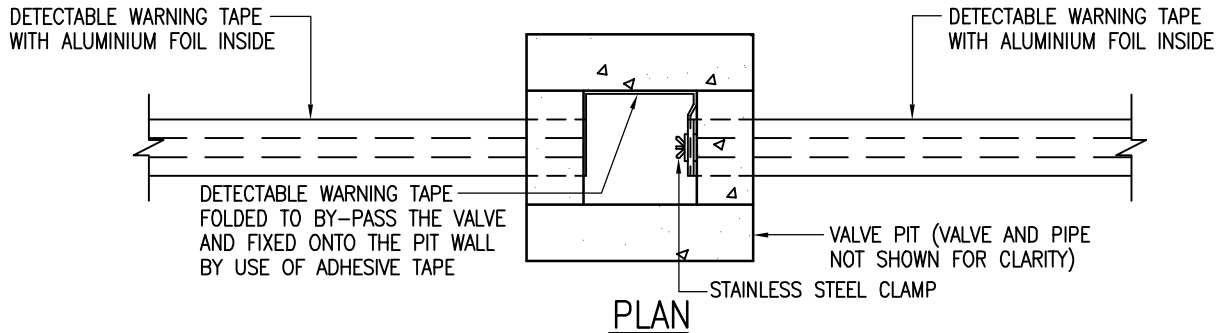
WSD 1.37B  
(SHEET 2 OF 3)

CSWP



### SECTIONAL ELEVATION

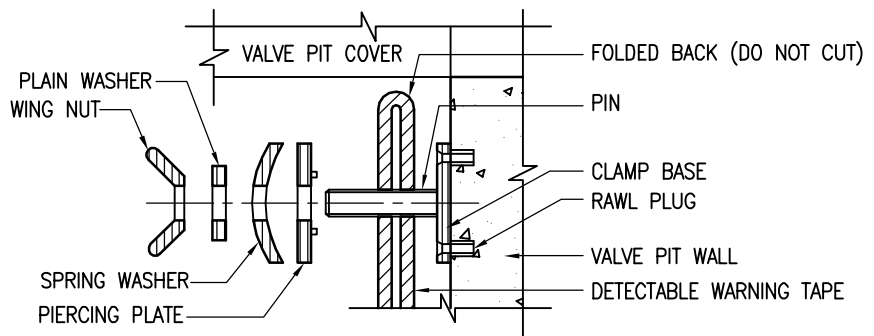
(IDENTIFICATION TAPE IS NOT SHOWN FOR CLARITY)



### PLAN

## TERMINAL CONNECTION POINT FOR DETECTABLE WARNING TAPE AT VALVE PIT

(TAPE TO BY-PASS THE VALVE AS SHOWN)



### ASSEMBLY OF DETECTABLE WARNING TAPE AT VALVE PIT

#### NOTES :

1. ALL DIMENSIONS ARE IN MILLIMETRES.
2. WSD LOGO AND WARNING TEXT ARE NOT SHOWN ON THE DETECTABLE WARNING TAPE FOR CLARITY.
3. DETECTABLE WARNING TAPES SHALL BE LAID CONTINUOUSLY ALONG ALL NEW NON-METALLIC WATER MAINS WITH THE PRINTED PATTERN FACING UPWARD.
4. TERMINAL CONNECTION POINTS SHALL BE PROVIDED AT THE INTERNAL FACE OF VALVE PITS AT REGULAR SPACING NOT EXCEEDING 200m OR AT LOCATIONS AS INDICATED ON THE DRAWINGS.

Cad Ref. : WSD013703-B.dwg

DETECTABLE WARNING TAPE



水務署  
Water Supplies Department

APPROVED

M.C. LEUNG  
AD/NW

DATE

17/6/99

SCALE

N.T.S.

DRAWING NO.

WSD 1.37B  
(SHEET 3 OF 3)

CSWP