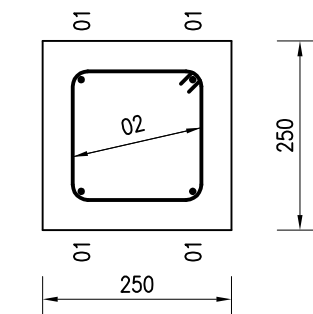
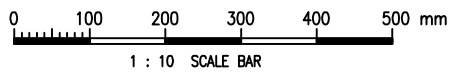


FRONT SECTIONAL ELEVATION

SIDE SECTIONAL ELEVATION



SECTION A - A



Cad Ref. : WSD013601-C.dwg

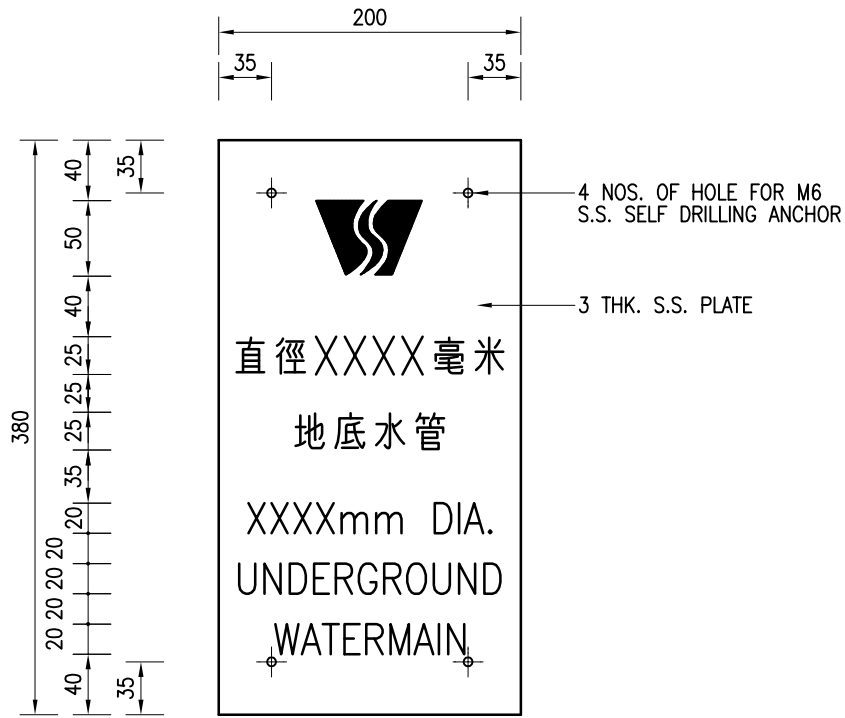
C	GENERAL REVISION	S.K. YEUNG	2/1/15
B	RE-FORMATTED TO CSWP	W.K. CHIU	5/9/03
A	GENERAL REVISION	W.K. CHIU	10/10/00
REF.	REVISION	APPROVED	DATE

TYPICAL DETAILS OF PIPE ALIGNMENT
MARKER POST FOR CROSS COUNTRY
MAINS



水務署
Water Supplies Department

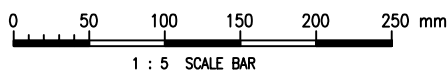
APPROVED	M.C. LEUNG AD/NW	DRAWING NO.	CSWP
DATE	23/12/96	WSD 1.36C	(SHEET 1 OF 2)
SCALE	1 : 10		



DETAILS OF S.S. PLATE

NOTES :

1. ALL DIMENSIONS ARE IN MILLIMETRES.
2. CONCRETE FOR MARKER POST SHALL BE GRADE 20/20D.
3. STAINLESS STEEL PLATE SHALL BE OF STEEL DESIGNATION 1.4404 TO BS EN 10088-2.
4. ANCHOR LENGTH OF SELF DRILLING ANCHOR EMBEDDED IN CONCRETE SHALL BE 25mm.
5. ALL LETTERING AND CHINESE CHARACTERS SHALL BE ENGRAVED AND PAINTED BLACK (CODE 00E53 TO BS 5252F) UNLESS OTHERWISE SPECIFIED.
6. WSD LOGO SHALL CONFORM TO DRG. NO. WSD 7.17.
7. PIPE NOMINAL DIAMETER SHALL BE SHOWN AT POSITION MARKED 'XXXX'.
8. THE TWO STAINLESS STEEL PLATES SHALL BE ON OPPOSITE SIDE OF THE POST AND IN LINE WITH THE ALIGNMENT OF THE PIPELINE.
9. MARKER POST SHALL BE LAID ALONG THE CENTRE LINE OF PIPE ALIGNMENT AS FAR AS PRACTICABLE AND AT NOT MORE THAN 200m APART AT STRATEGIC LOCATIONS INSTRUCTED BY THE ENGINEER.
10. NOMINAL COVER TO REINFORCEMENT SHALL BE 40mm UNLESS OTHERWISE SPECIFIED.
11. FOR DESCRIPTION OF REINFORCEMENT REFER TO DRG. NO. WSD 7.1.



Cad Ref. : WSD013602-C.dwg

TYPICAL DETAILS OF PIPE ALIGNMENT
MARKER POST FOR CROSS COUNTRY
MAINS



水務署
Water Supplies Department

APPROVED

M.C. LEUNG
AD/NW

DATE

23/12/96

SCALE

1 : 5

DRAWING NO.

WSD 1.36C

(SHEET 2 OF 2)

CSWP