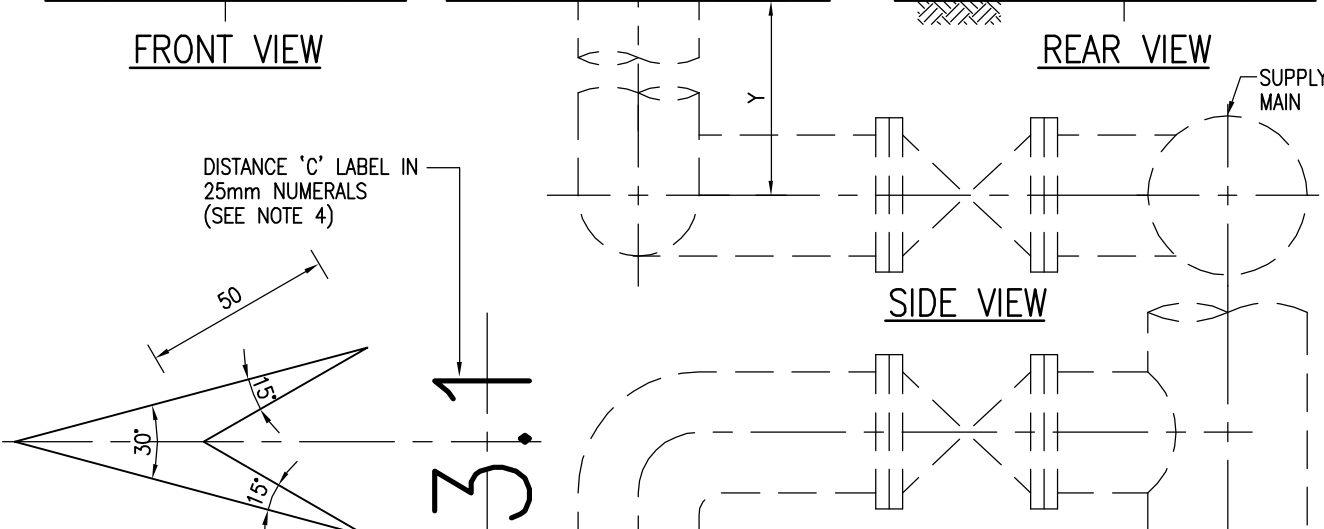


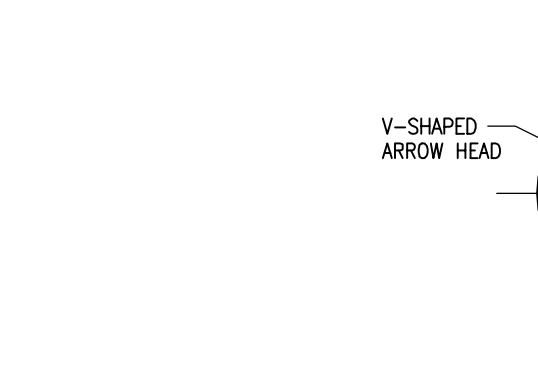
FRONT VIEW

REAR VIEW

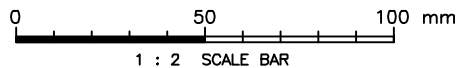


SIDE VIEW

DETAILS OF V-SHAPED ARROW HEAD
SCALE 1 : 2



PLAN PEDESTAL HYDRANT (ROUND HEAD)



B	RE-FORMATTED TO CSWP	W.K. CHIU	5/9/03
A	GENERAL REVISION	W.K. CHIU	20/9/00
REF.	REVISION	APPROVED	DATE

Cad Ref. : WSD013401-B.dwg

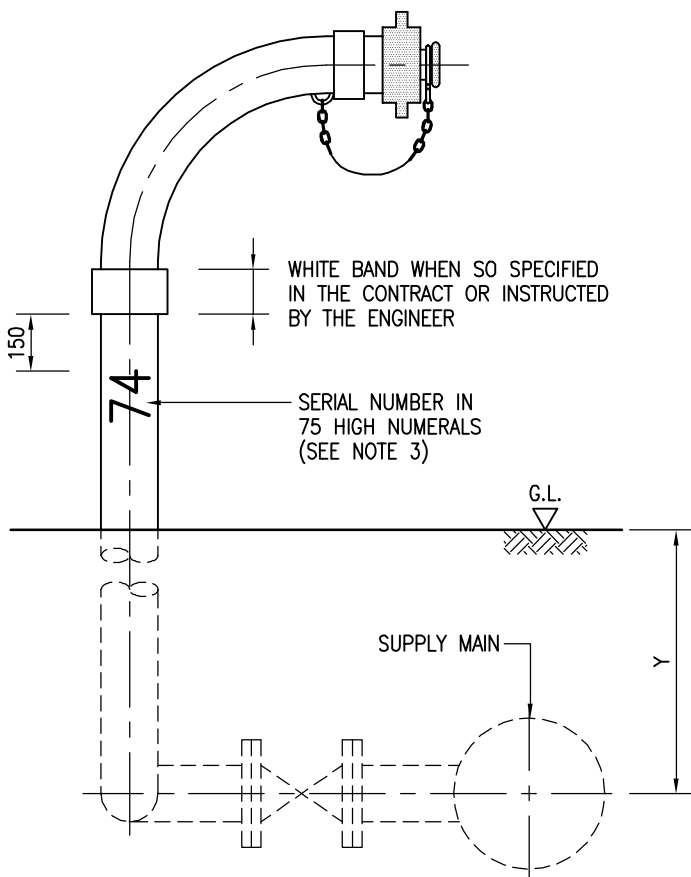
PAINTING ON FIRE HYDRANT



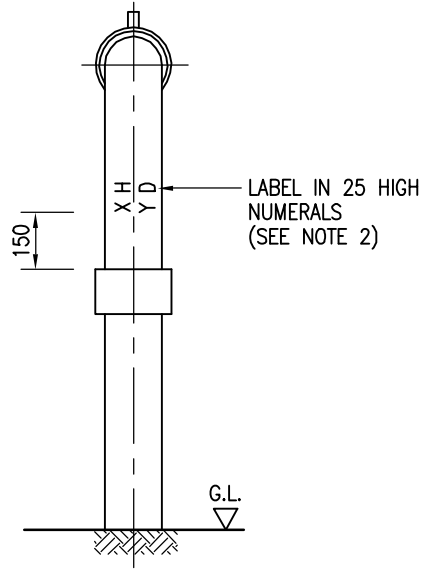
水務署
Water Supplies Department

APPROVED	K.P. MOK AD/NW	DRAWING NO. WSD 1.34B (SHEET 1 OF 3)	CSWP
DATE	20/11/95		
SCALE	1 : 2 OR N.T.S.		

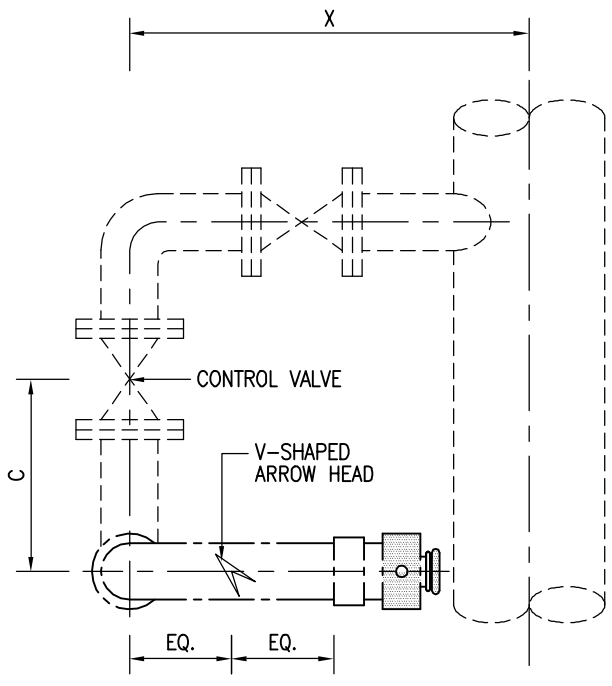
Cad Ref. : WSD013402-B.dwg



ELEVATION



REAR VIEW



PLAN

SWAN NECK HYDRANT


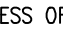
PAINTING ON FIRE HYDRANT



水務署
Water Supplies Department


APPROVED	K.P. MOK AD/NW	DRAWING NO.	CSWP
DATE	20/11/95	WSD 1.34B	
SCALE	N.T.S.	(SHEET 2 OF 3)	

NOTES :

1. ALL DIMENSIONS ARE IN MILLIMETRES UNLESS OTHERWISE SPECIFIED.
2. DIMENSIONS X AND Y TO BE IN METRES ROUNDED TO ONE DECIMAL PLACE. DECIMAL DOT SHALL BE PAINTED AT BOTTOM POSITION.
3. SERIAL NUMBER SHALL BE ADVISED BY THE ENGINEER.
4.  V-SHAPED ARROW HEAD SHALL POINT TO THE POSITION OF FIRE HYDRANT CONTROL VALVE. THE DISTANCE OF THE HYDRANT FROM THE CONTROL VALVE IN METRES "C" ROUNDED TO ONE DECIMAL PLACE SHALL ONLY BE SHOWN IF "C" IS IN EXCESS OF 3m e.g. 
5. ALL F.W. HYDRANTS SHALL BE PAINTED RED ON BODY WITH YELLOW NUMERALS, LETTERS AND ARROW HEAD.
6. ALL S.W. HYDRANTS SHALL BE PAINTED YELLOW ON BODY WITH RED NUMERALS, LETTERS AND ARROW HEAD.
7. FOR HYDRANTS NOT YET IN SERVICE IMMEDIATELY AFTER INSTALLATION, THE CAP ON THE SWAN NECK HYDRANT AND THE 100mm CAP ON THE PEDESTAL HYDRANT (BOTH SHOWN SHADED) SHALL BE PAINTED BLUE.
8. THE COLOUR CODE SHALL BE AS FOLLOWS :

RED	04E56	OF	BS5252F
YELLOW	10E55	OF	BS5252F
BLUE	18E51	OF	BS5252F
WHITE	00E55	OF	BS5252F
9. PIPEWORKS ARRANGEMENTS ARE INDICATIVE ONLY. REFER TO DRAWING NO. WSD 1.17 FOR DETAILS.
10. THE WHITE BAND PAINTED ON THE HYDRANT INDICATES THAT THE HYDRANT IS CONNECTED TO A TRUNK MAIN.

Cad Ref. : WSD013403-B.dwg

PAINTING ON FIRE HYDRANT	 水務署 Water Supplies Department		
	APPROVED	K.P. MOK AD/NW	DRAWING NO. CSWP
	DATE	20/11/95	WSD 1.34B (SHEET 3 OF 3)
	SCALE	NOT APPLICABLE	