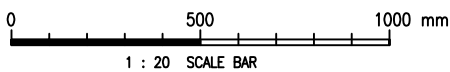


PLAN

F	EARTHING ROD REMOVED, REMOVABLE S.S. GRATINGS ADDED AND R.C. DETAILS REVISED	S.K. YEUNG	28/1/15
E	GENERAL REVISION	S.K. YEUNG	2/1/15
D	RE-FORMATTED TO CSWP	W.K. CHIU	5/9/03
C	CONFIGURATION OF WASTE DETECTION METER AND EARTHING ROD ADDED	W.K. CHIU	10/10/00
B	NOTE 12 ADDED	K.W. CHAN	28/11/97
A	GENERAL REVISION	K.W. CHAN	23/1/97
REF.	REVISION	APPROVED	DATE

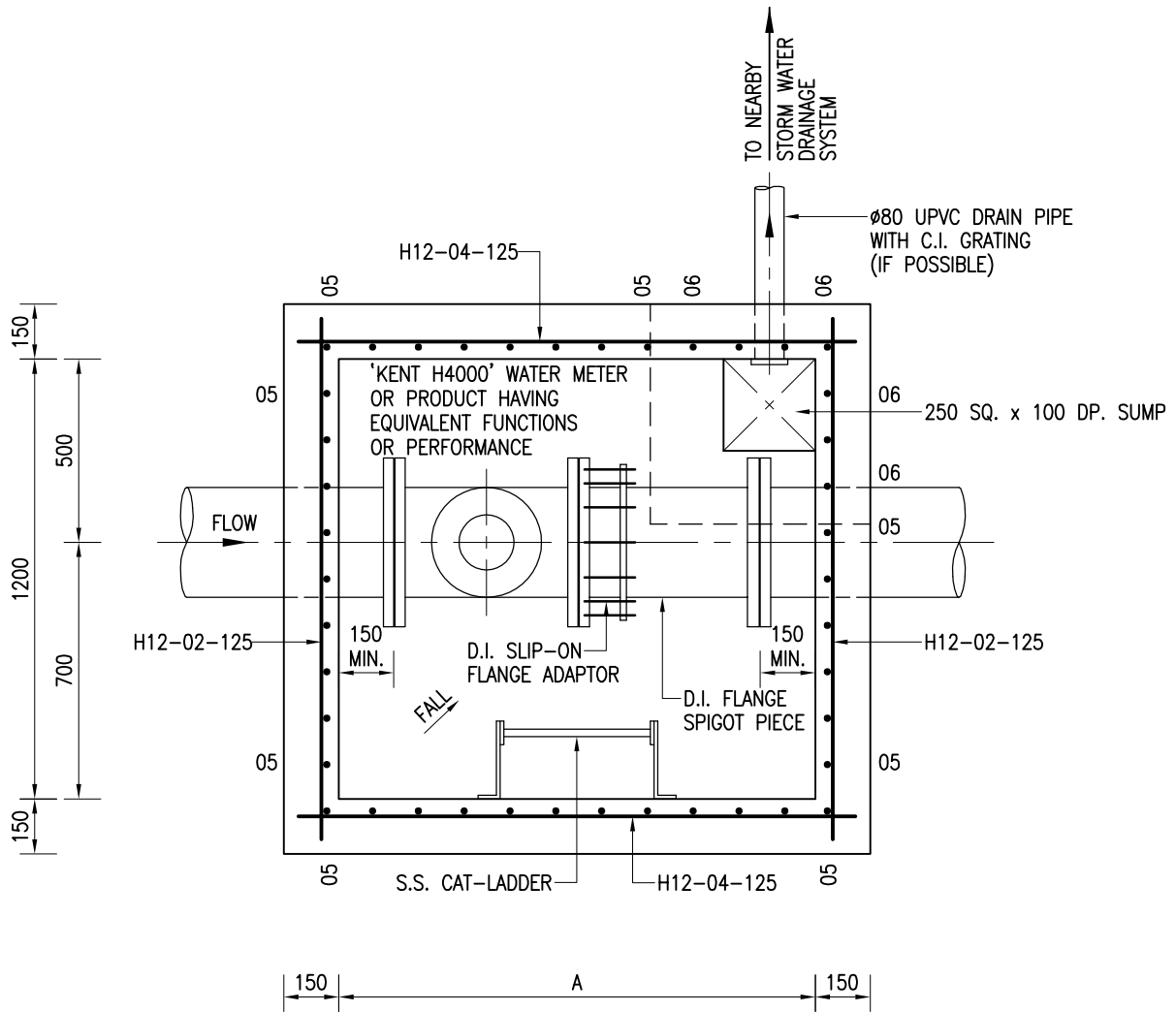


WASTE DETECTION METER CHAMBER

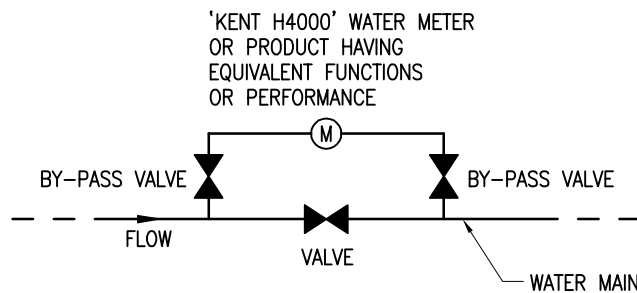


水務署
Water Supplies Department

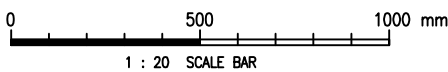
APPROVED	K.P. MOK AD/NW	DRAWING NO.	CSWP
DATE	15/11/94	WSD 1.32F (SHEET 1 OF 6)	
SCALE	1 : 20		



SECTIONAL PLAN



CONFIGURATION OF WASTE DETECTION METER



Cad Ref. : WSD013202-F.dwg

WASTE DETECTION METER CHAMBER



水務署
Water Supplies Department

APPROVED

K.P. MOK
AD/NW

DATE

15/11/94

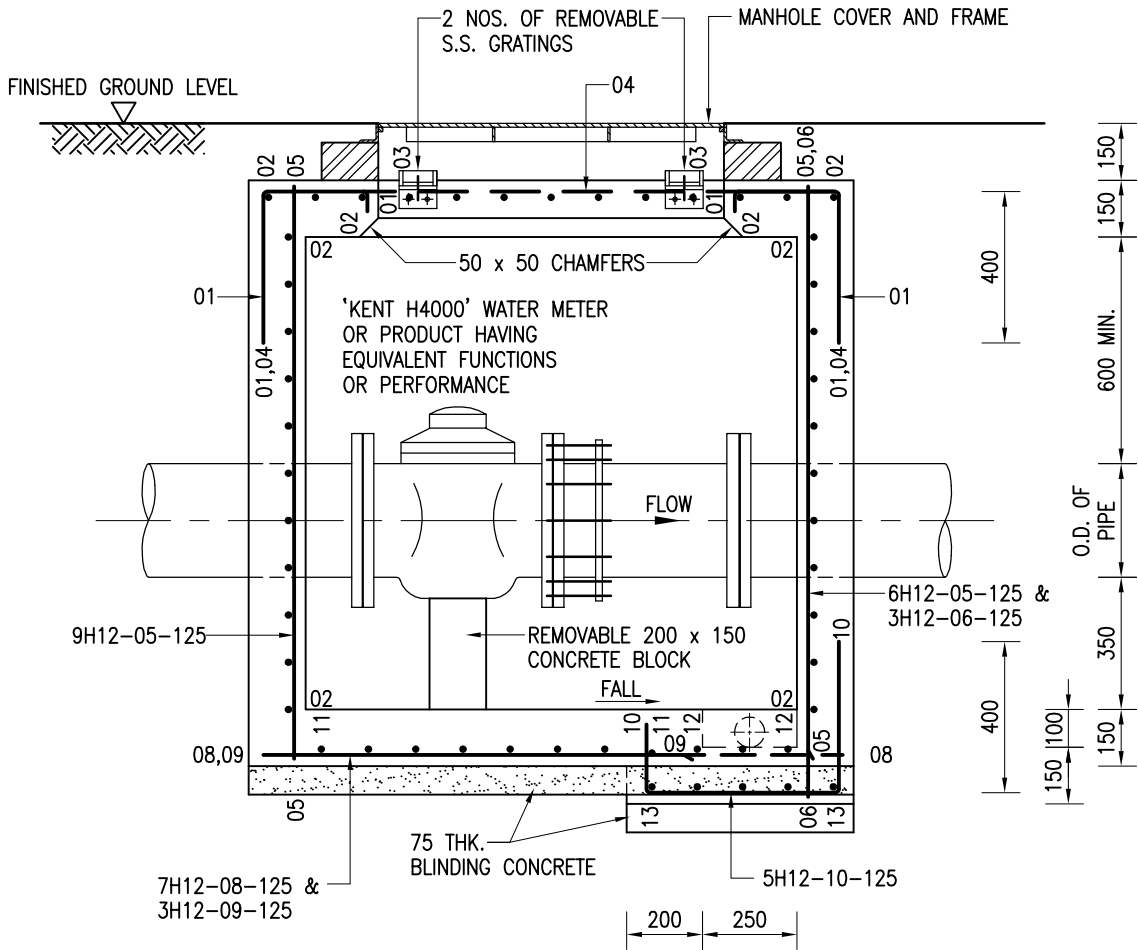
SCALE

1 : 20

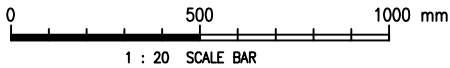
DRAWING NO.

WSD 1.32F
(SHEET 2 OF 6)

CSWP



SECTION A - A



Cad Ref. : WSD013203-F.dwg

WASTE DETECTION METER CHAMBER



水務署
Water Supplies Department

APPROVED

K.P. MOK
AD/NW

DATE

15/11/94

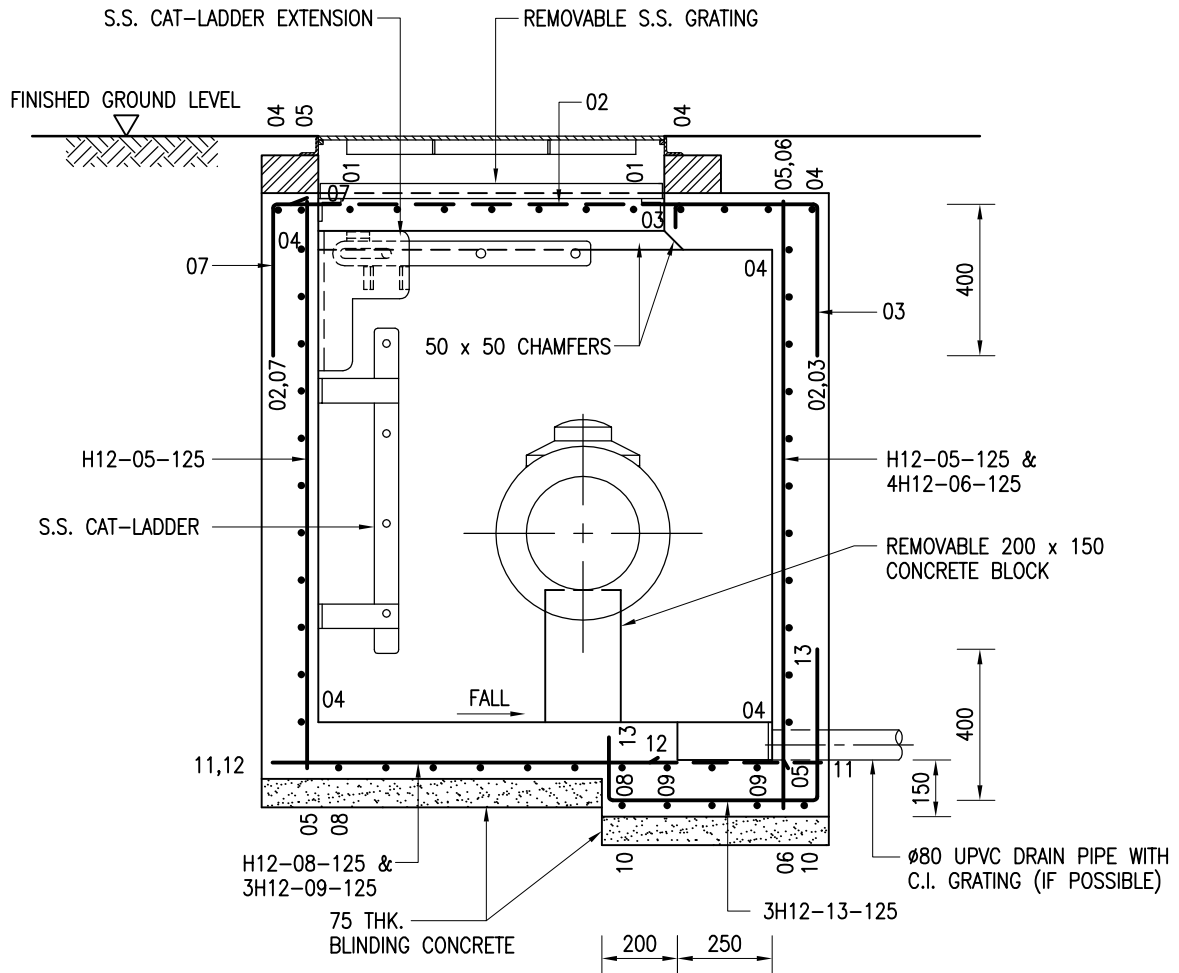
SCALE

1 : 20

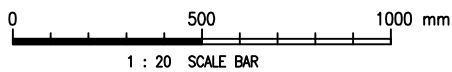
DRAWING NO.

WSD 1.32F
(SHEET 3 OF 6)

CSWP



SECTION B - B



Cad Ref. : WSD013204-F.dwg

WASTE DETECTION METER CHAMBER



水務署
Water Supplies Department

APPROVED

K.P. MOK
AD/NW

DATE

15/11/94

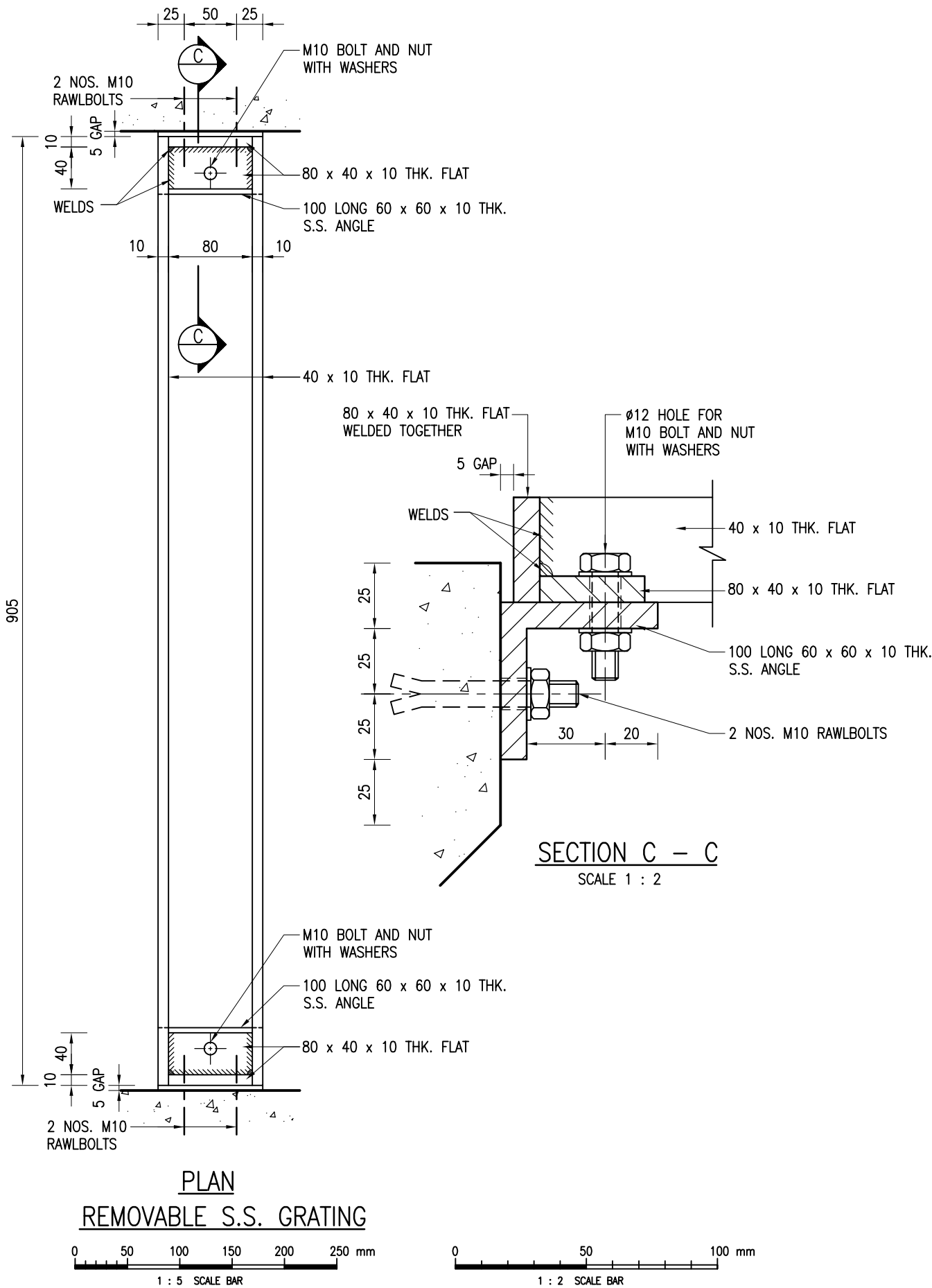
SCALE

1 : 20

DRAWING NO.

WSD 1.32F
(SHEET 4 OF 6)

CSWP



Cad Ref. : WSD013205-F.dwg

WASTE DETECTION METER CHAMBER



水務署
Water Supplies Department

APPROVED	K.P. MOK AD/NW	DRAWING NO.	CSWP
DATE	15/11/94	WSD 1.32F (SHEET 5 OF 6)	
SCALE	1 : 5 OR AS SHOWN		

DIMENSIONS OF WASTE DETECTION METER CHAMBER

NOMINAL DIA. OF PIPE (DN)	50	80	100	150	200	250	300
A (mm)	1100	1100	1100	1200	1200	1200	1300

NOTES :

1. ALL DIMENSIONS ARE IN MILLIMETRES UNLESS OTHERWISE SPECIFIED.
2. THE METER CHAMBER MUST BE SITED ON FOOTWAY OR PAVEMENT WITHOUT VEHICULAR TRAFFIC.
3. THE CENTRE-LINE OF THE PIPEWORK MUST BE HORIZONTAL.
4. ALL REINFORCED CONCRETE SHALL BE GRADE 35/20D. BLINDING CONCRETE SHALL BE GRADE 20/20D.
5. NOMINAL COVER TO REINFORCEMENT SHALL BE 40mm UNLESS OTHERWISE SPECIFIED.
6. ALL NEWLY LAID WATERMANS MUST BE CLEANED AND STERILIZED BEFORE THE INSTALLATION OF 'KENT H4000' METER OR PRODUCT HAVING EQUIVALENT FUNCTIONS OR PERFORMANCE INSIDE THE CHAMBER.
7. A MINIMUM OF 15D STRAIGHT PIPE UPSTREAM AND 10D STRAIGHT PIPE DOWNSTREAM FROM THE CHAMBER POSITION SHALL BE PROVIDED WHERE D IS THE PIPE OUTSIDE DIAMETER.
8. FOR DESCRIPTION OF REINFORCEMENT REFER TO DRAWING NO. WSD 7.1.
9. REINFORCEMENT SHALL BE CUT TO SUIT OPENINGS.
10. DRAIN PIPE FOR CHAMBER TO BE PROVIDED UNLESS FOUND TO BE IMPOSSIBLE ON SITE. DISCHARGE POINT OF THE DRAIN TO BE DETERMINED ON SITE BY THE ENGINEER.
11. THE WASTE DETECTION METER AND CHAMBER SHALL BE SITED ON A BY-PASS BRANCH OFF THE PRINCIPAL MAIN.
12. MINIMUM LAP LENGTH FOR RIBBED STEEL REINFORCING BARS SHALL BE 43 TIMES THE DIAMETER OF THE SMALLER LAPPED BAR UNLESS OTHERWISE SPECIFIED.
13. FOR DETAILS OF S.S. CAT-LADDER REFER TO DRAWING NO. WSD 7.3.
14. FOR DETAILS OF C.I. GRATING REFER TO DRAWING NO. WSD 1.41.
15. FOR TOP TREATMENT APPLIED TO THE MANHOLE COVER, REFER TO DRAWING NO. WSD 1.24.
16. FOR DETAILS OF MANHOLE COVER AND FRAME, REFER TO DRAWING NO. WSD 7.15 IN CASE OF CONCRETE FOOTWAY AND DRAWING NO. WSD 7.51 IN CASE OF FOOTWAY WITH PAVING BLOCKS.
17. THE REMOVABLE S.S. GRATING, INCLUDING THE BOLTS AND NUTS, SHALL BE OF STEEL DESIGNATION 1.4404 TO BS EN 10088-1.
18. ALL WELDS SHALL BE 3mm FILLET WELD.
19. SHARP EDGES OF ALL STEEL FLATS SHALL BE REMOVED.

Cad Ref. : WSD013206-F.dwg

WASTE DETECTION METER CHAMBER



水務署
Water Supplies Department

APPROVED

K.P. MOK
AD/NW

DATE

15/11/94

SCALE

NOT APPLICABLE

DRAWING NO.

WSD 1.32F
(SHEET 6 OF 6)

CSWP