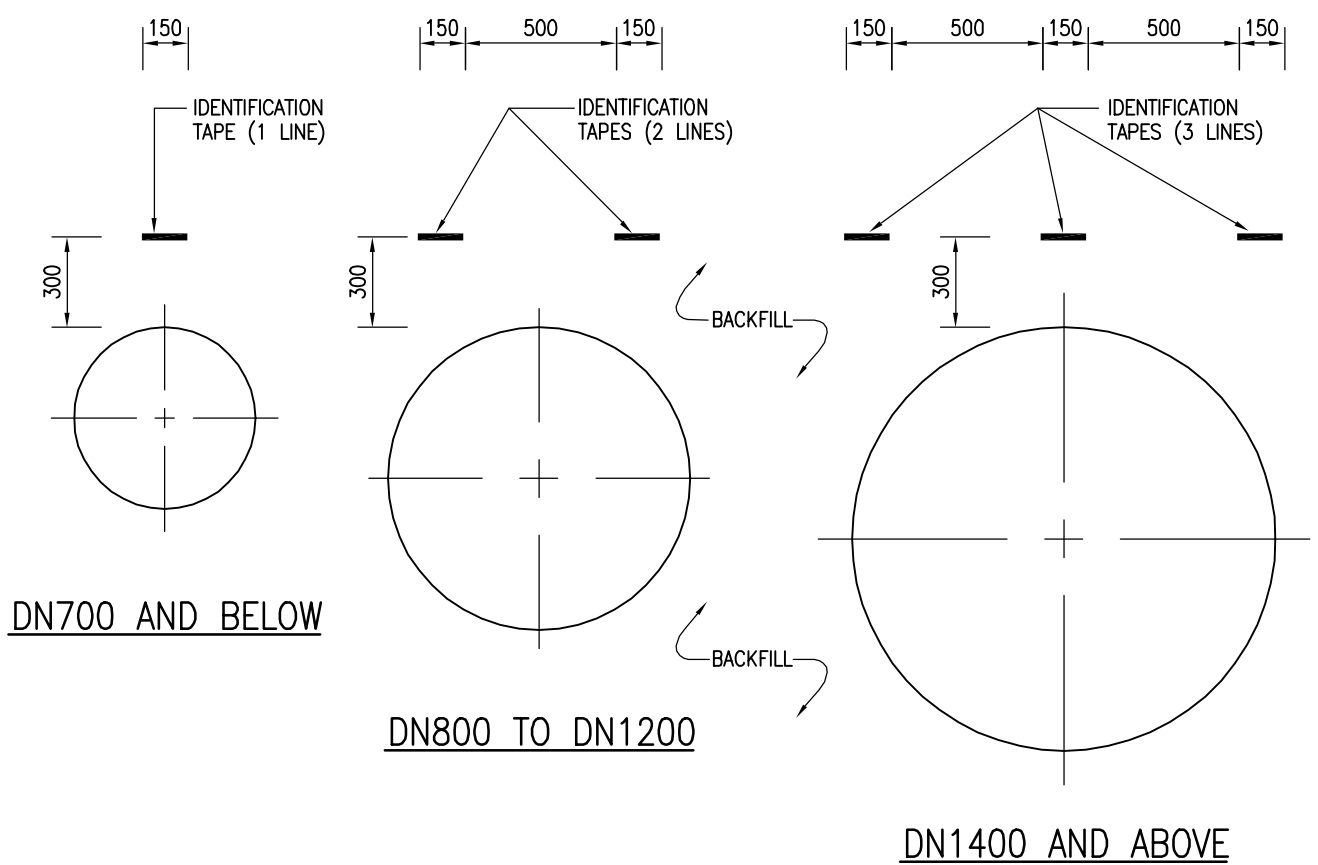
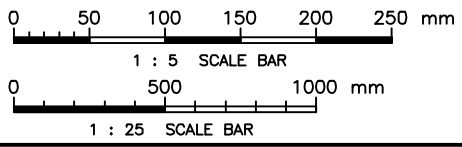




TYPICAL PATTERN OF IDENTIFICATION TAPE
SCALE 1 : 5



TYPICAL WATER MAIN CROSS-SECTIONS
SCALE 1 : 25



B	RE-FORMATTED TO CSWP	W.K. CHIU	5/9/03
A	GENERAL REVISION	W.K. CHIU	20/9/00
REF.	REVISION	APPROVED	DATE

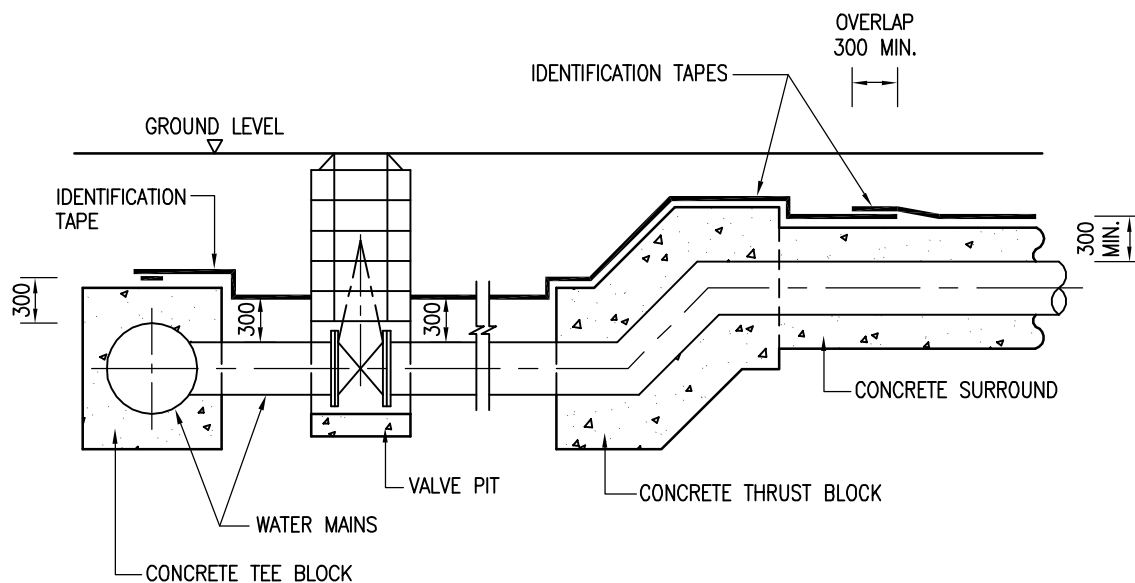
Cad Ref. : WSD013101-B.dwg

IDENTIFICATION TAPES FOR
WATER MAINS



水務署
Water Supplies Department

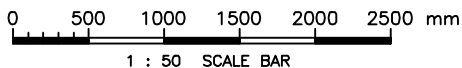
APPROVED	K.P. MOK AD/NW	DRAWING NO. WSD 1.31B (SHEET 1 OF 2)	CSWP
DATE	15/9/94		
SCALE	1 : 25 OR AS SHOWN		



TYPICAL SECTION SHOWING IDENTIFICATION TAPES FOR WATER MAINS

NOTES :

1. ALL DIMENSIONS ARE IN MILLIMETRES.
2. IDENTIFICATION TAPES SHALL BE POLYTHENE SHEETING OF 0.1mm THICK NOMINAL THICKNESS AND OF BRIGHT BLUE COLOUR TO CODE 20E53 TO BS 5252F. WSD LOGO AND WORDING SHALL BE IN BLACK.
3. IDENTIFICATION TAPES SHALL BE LAID CONTINUOUSLY ALONG ALL WATER MAINS DURING BACKFILLING AND WITH THE PRINTED PATTERN FACING UPWARD. IDENTIFICATION TAPES SHALL TERMINATE AT EXTERNAL FACES OF CHAMBERS AND PITS.



Cad Ref. : WSD013102-B.dwg

IDENTIFICATION TAPES FOR
WATER MAINS



水務署
Water Supplies Department

APPROVED	K.P. MOK AD/NW	DRAWING NO.	CSWP
DATE	15/9/94	WSD 1.31B	
SCALE	1 : 50	(SHEET 2 OF 2)	