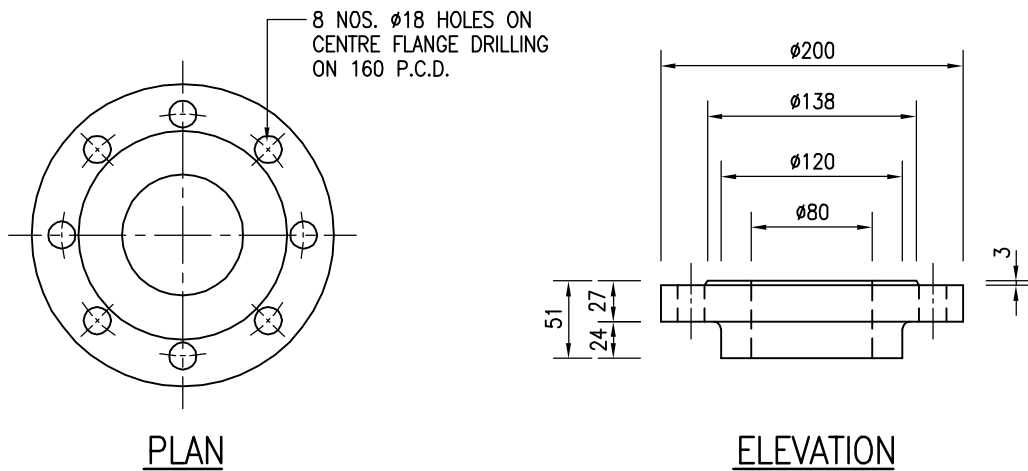


SECTION

PLAN

ARRANGEMENT OF GATE VALVE & STUB PIPE

N.T.S.



PLAN

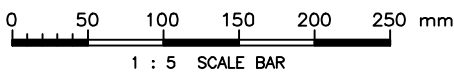
ELEVATION

DETAIL '1'

SCALE 1 : 5

NOTES:

1. ALL DIMENSIONS ARE IN MILLIMETRES.
2. A DURABLE PLATE SHOWING THE DIRECTION OF FLOW, PRESSURE IN THE PIPE, PIPE INTERNAL DIAMETER {Di} AND DISTANCE {H} FROM THE GATE VALVE'S UPPER FLANGE SURFACE TO THE INTERNAL WALL OF THE PIPE SHOULD BE FIXED IN A CONSPICUOUS POSITION NEAR THE STUB PIPE.
3. STUB PIPE ASSEMBLY EXCEPT FOR THE GATE VALVE AND BLANK FLANGE SHALL BE FABRICATED BY MECHANICAL & ELECTRICAL WORKSHOP OF THE WATER SUPPLIES DEPARTMENT UNLESS OTHERWISE SPECIFIED. LENGTHS OF STEEL PIPE AND FITTINGS TO BE SUPPLIED TO THE WORKSHOPS SHALL BE AGREED WITH M&E(PROJECTS) DIVISION.



B	RE-FORMATTED TO CSWP	W.K. CHIU	5/9/03
A	GENERAL REVISION	W.K. CHIU	10/10/00
REF.	REVISION	APPROVED	DATE

Cad Ref. : WSD013001-B.dwg

ARRANGEMENT OF GATE VALVE AND STUB PIPE FOR PORTABLE INSERTION FLOWMETER FOR STEEL PIPE DN800 OR ABOVE



水務署
Water Supplies Department

APPROVED	K.P. MOK AD/NW	DRAWING NO. WSD 1.30B	CSWP
DATE	17/3/94		
SCALE	1 : 5 OR AS SHOWN		