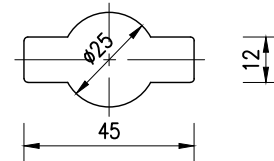
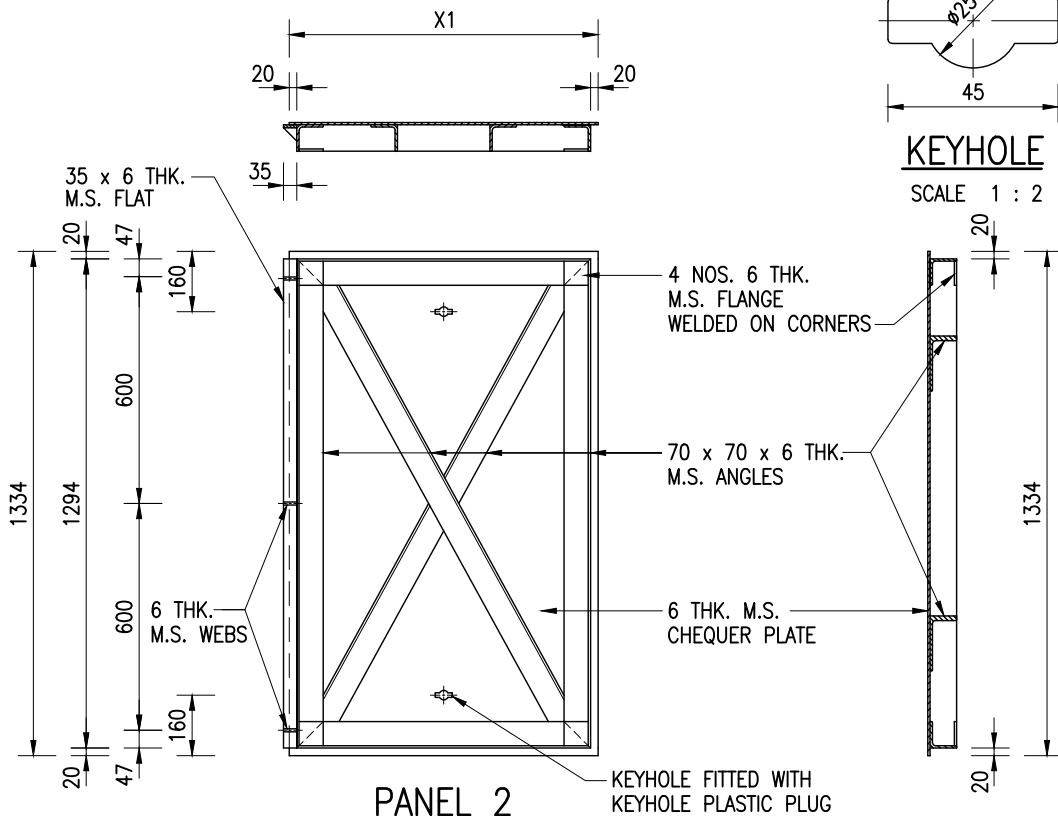


PANEL 1

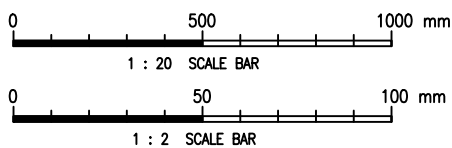


KEYHOLE

SCALE 1 : 2



**PANEL 2
M.S. COVER**



Cad Ref. : WSD012901 - E.dwg

E	KEYHOLE PLASTIC PLUG ADDED	C.Y. CHAN	4/5/23
D	NOTE 2 UPDATED	W.K. CHIU	18/7/08
C	WSD MARKING ADDED AND KEY HOLE REVISED	W.K. CHIU	12/12/05
B	RE-FORMATTED TO CSWP	W.K. CHIU	5/9/03
A	GENERAL REVISION	W.K. CHIU	10/10/00
REF.	REVISION	APPROVED	DATE

MILD STEEL COVER FOR
PORTABLE FLOWMETER CHAMBER



水務署
Water Supplies Department

APPROVED

K.P. MOK
AD/NW

DRAWING NO.

CSWP

DATE

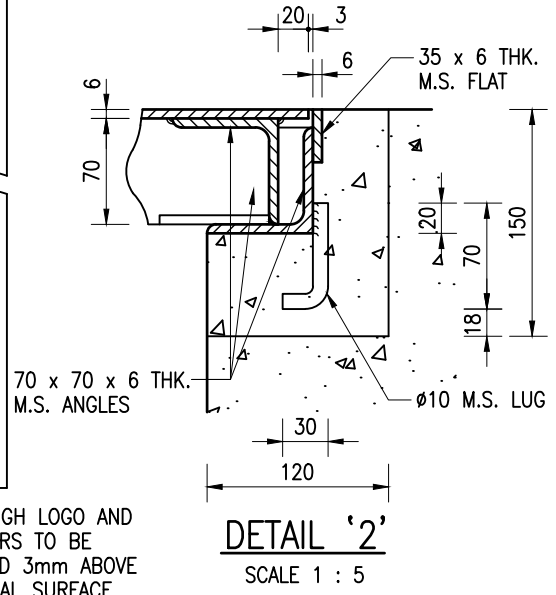
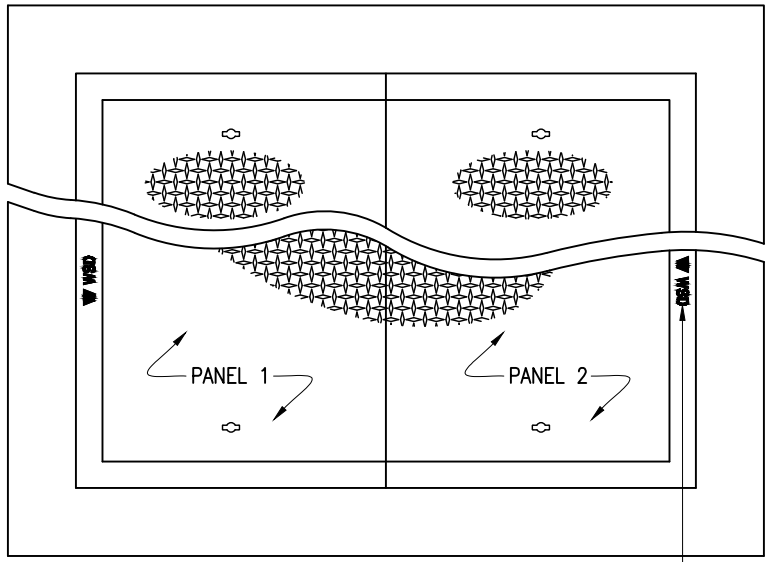
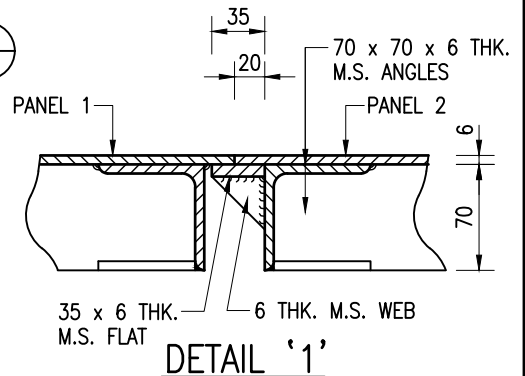
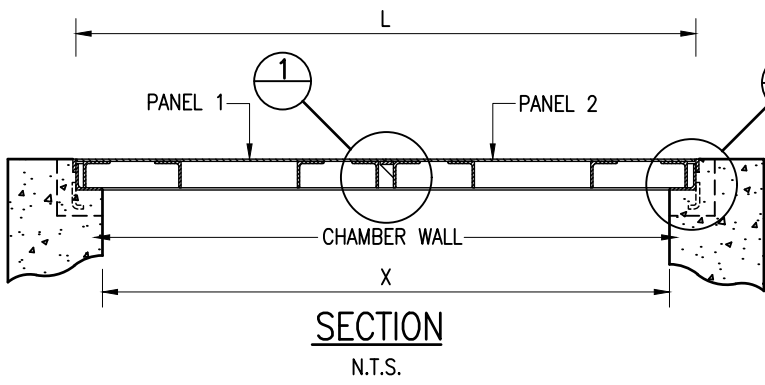
17/3/94

WSD 1.29E

SCALE

1 : 20 OR AS SHOWN

(SHEET 1 OF 2)



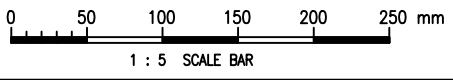
ARRANGEMENT OF M.S. COVER
N.T.S.

30 HIGH LOGO AND LETTERS TO BE RAISED 3mm ABOVE NORMAL SURFACE

PIPE SIZE	L	X	X1	NO. REQUIRED		STANDARD DRAWING FOR CHAMBER
				PANEL 1	PANEL 2	
DN700 AND BELOW	1640	1500	817	1	1	WSD 1.27
DN800	1855	1715	616	1	2	WSD 1.25 (SEE NOTE 4 OF DRG. NO. WSD 1.25 FOR CONDITIONS OF USING M.S. COVER)
DN900	1855	1715	616	1	2	
DN1000	2060	1920	685	1	2	
DN1200	2260	2120	751	1	2	
DN1400	2465	2325	820	1	2	
DN1600	2665	2525	887	1	2	

NOTES :

1. ALL DIMENSIONS ARE IN MILLIMETRES.
2. ALL STEEL MATERIALS SHALL BE HOT-DIP GALVANIZED TO BS EN ISO 1461:1999.
3. ALL WELDS SHALL BE 5mm FILLET WELD.
4. FOR DETAILS OF WATER SUPPLIES DEPARTMENT LOGO REFER TO DRAWING NO. WSD 7.17.
5. FOR DETAILS OF KEYHOLE PLASTIC PLUG REFER TO DRAWING NO. WSD 7.48.



Cad Ref. : WSD012902-E.dwg

<p>MILD STEEL COVER FOR PORTABLE FLOWMETER CHAMBER</p>	<p>水務署 Water Supplies Department</p>		CSWP
	APPROVED	K.P. MOK AD/NW	<p>DRAWING NO. WSD 1.29E (SHEET 2 OF 2)</p>
	DATE	17/3/96	
	SCALE	1 : 5 OR AS SHOWN	