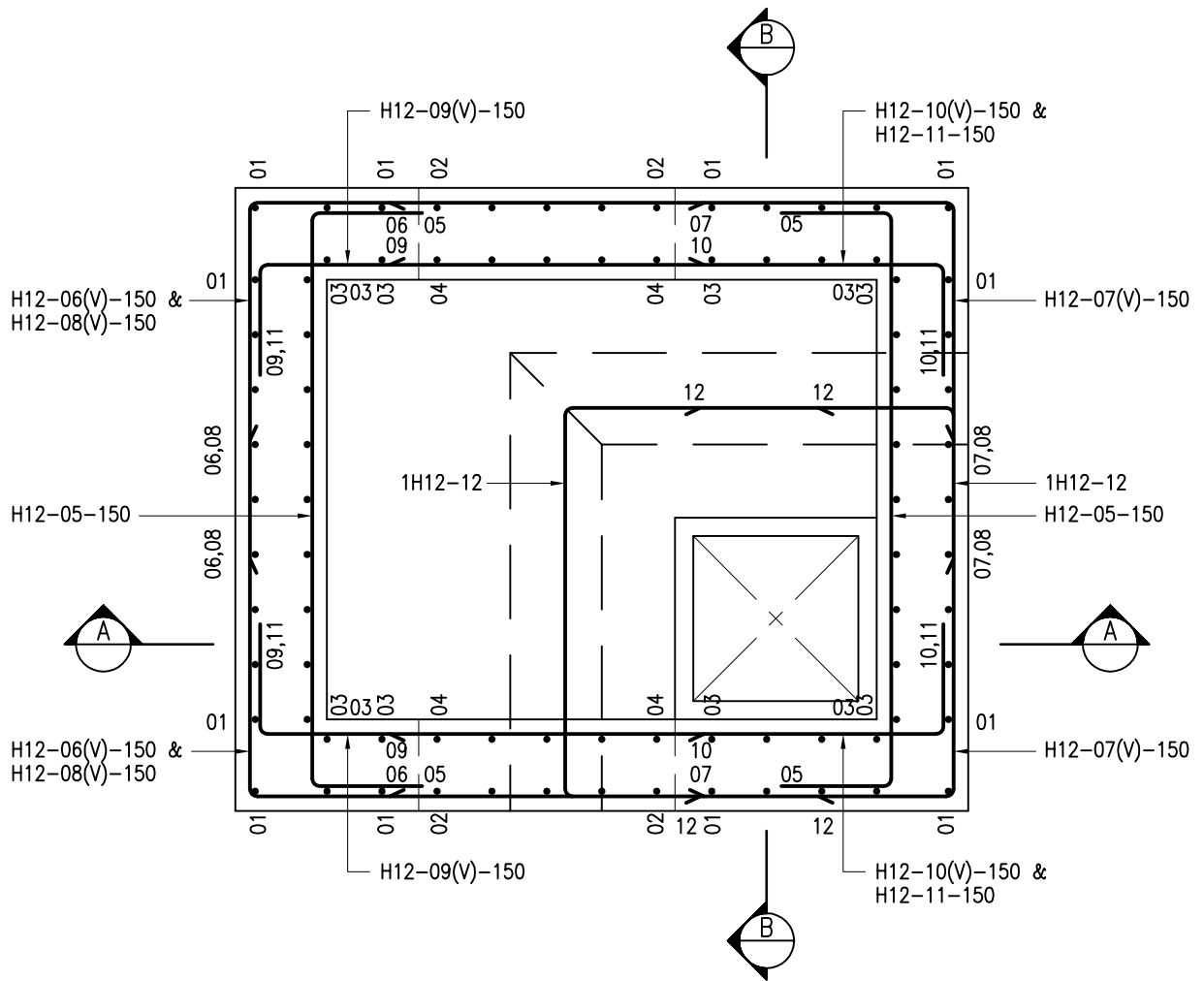
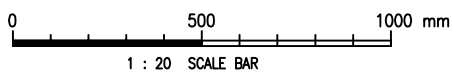


Cad Ref. : WSD012801-D.dwg



SECTIONAL PLAN



D	GENERAL REVISION	S.K. YEUNG	2/1/15
C	RE-FORMATTED TO CSWP	W.K. CHIU	5/9/03
B	GENERAL REVISION	W.K. CHIU	10/10/00
A	GENERAL REVISION	K.W. CHAN	30/7/97
REF.	REVISION	APPROVED	DATE

PORTABLE FLOWMETER CHAMBER
FOR PIPE DN700 AND BELOW -
R.C. DETAILS



水務署
Water Supplies Department

APPROVED

K.P. MOK
AD/NW

DRAWING NO.

CSWP

DATE

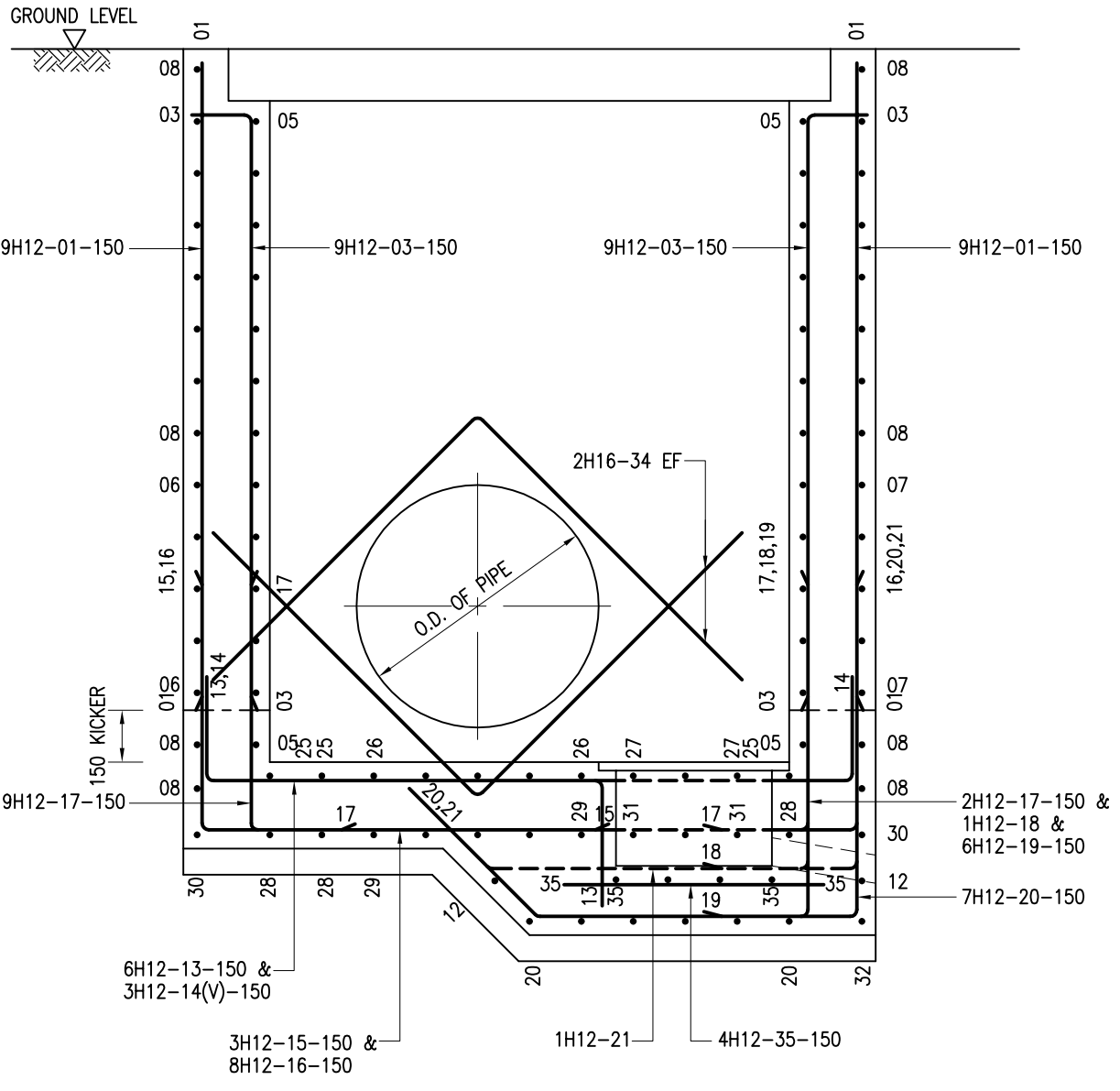
17/3/94

WSD 1.28D

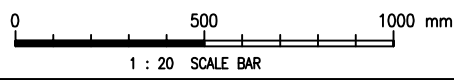
SCALE

1 : 20

(SHEET 1 OF 3)



SECTION A - A



Cad Ref. : WSD012802-D.dwg

PORTABLE FLOWMETER CHAMBER
FOR PIPE DN700 AND BELOW -
R.C. DETAILS



水務署
Water Supplies Department

APPROVED	K.P. MOK AD/NW	DRAWING NO.	CSWP WSD 1.28D (SHEET 2 OF 3)
DATE	17/3/94		
SCALE	1 : 20		

