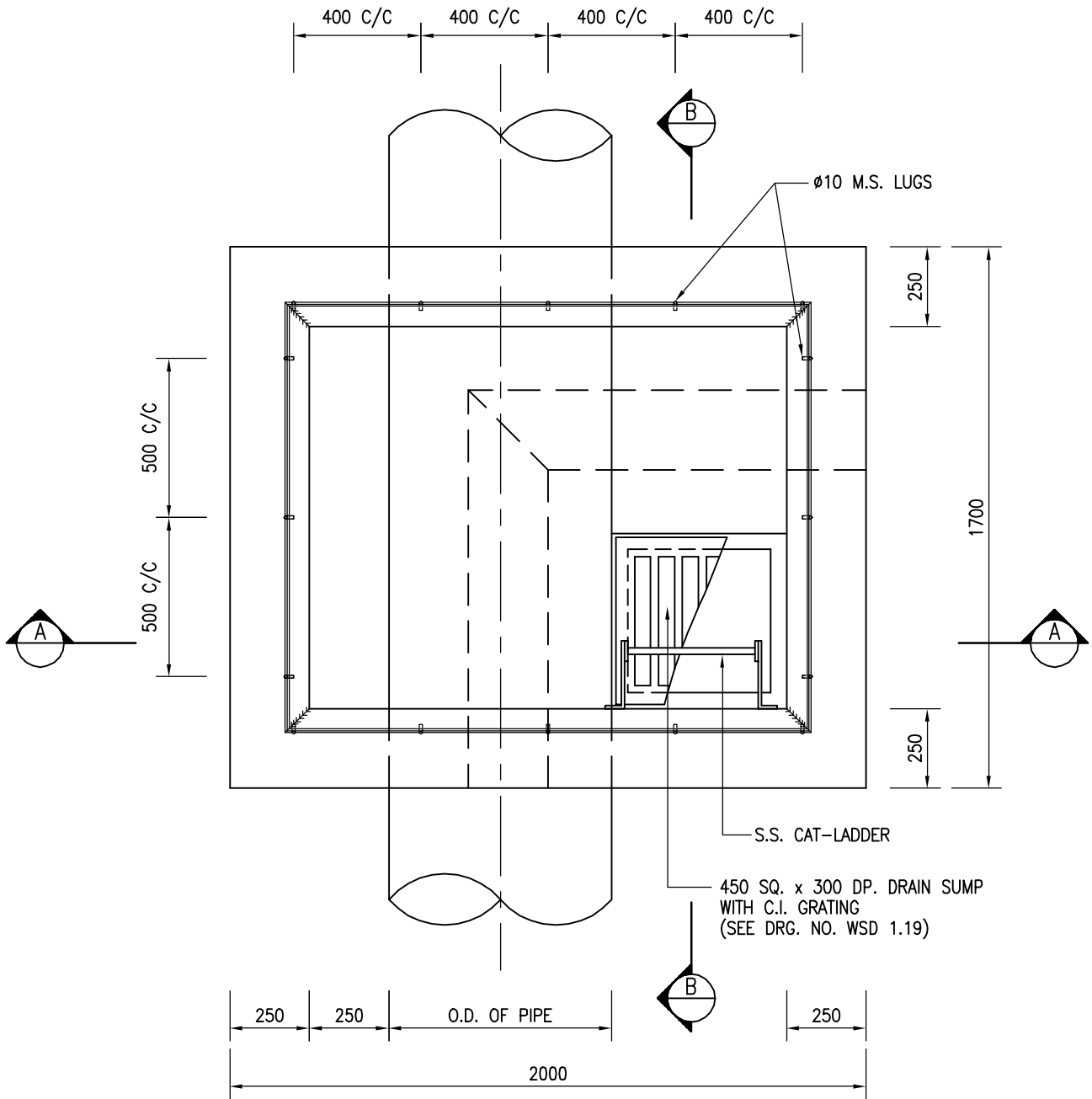
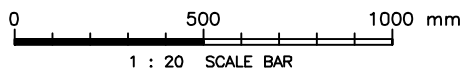


Cad Ref. : WSD012701-C.dwg



**PLAN**  
(M.S. COVERS REMOVED)



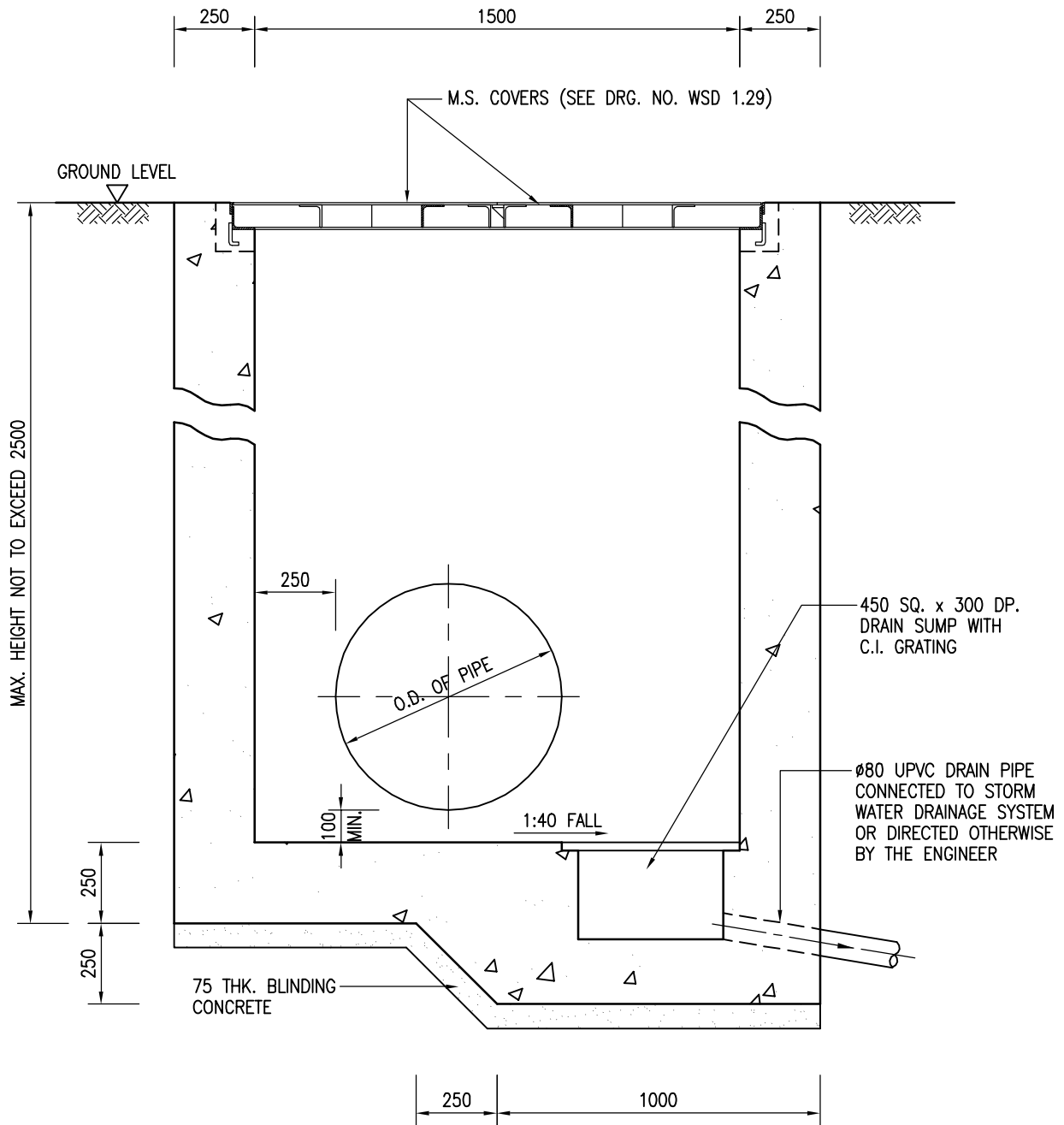
C	RE-FORMATTED TO CSWP	W.K. CHIU	5/9/03
B	GENERAL REVISION	W.K. CHIU	10/10/00
A	STEP IRONS REPLACED BY CAT-LADDER	K.W. CHAN	30/7/97
REF.	REVISION	APPROVED	DATE

PORTABLE FLOWMETER CHAMBER  
FOR PIPE DN700 AND BELOW -  
GENERAL ARRANGEMENT

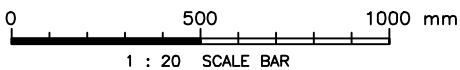


**水務署**  
**Water Supplies Department**

APPROVED	K.P. MOK AD/NW	DRAWING NO.	CSWP
DATE	17/3/94	WSD 1.27C	(SHEET 1 OF 3)
SCALE	1 : 20		



SECTION A - A



PORTABLE FLOWMETER CHAMBER  
FOR PIPE DN700 AND BELOW -  
GENERAL ARRANGEMENT



水務署  
Water Supplies Department

APPROVED

K.P. MOK  
AD/NW

DRAWING NO.

CSWP

DATE

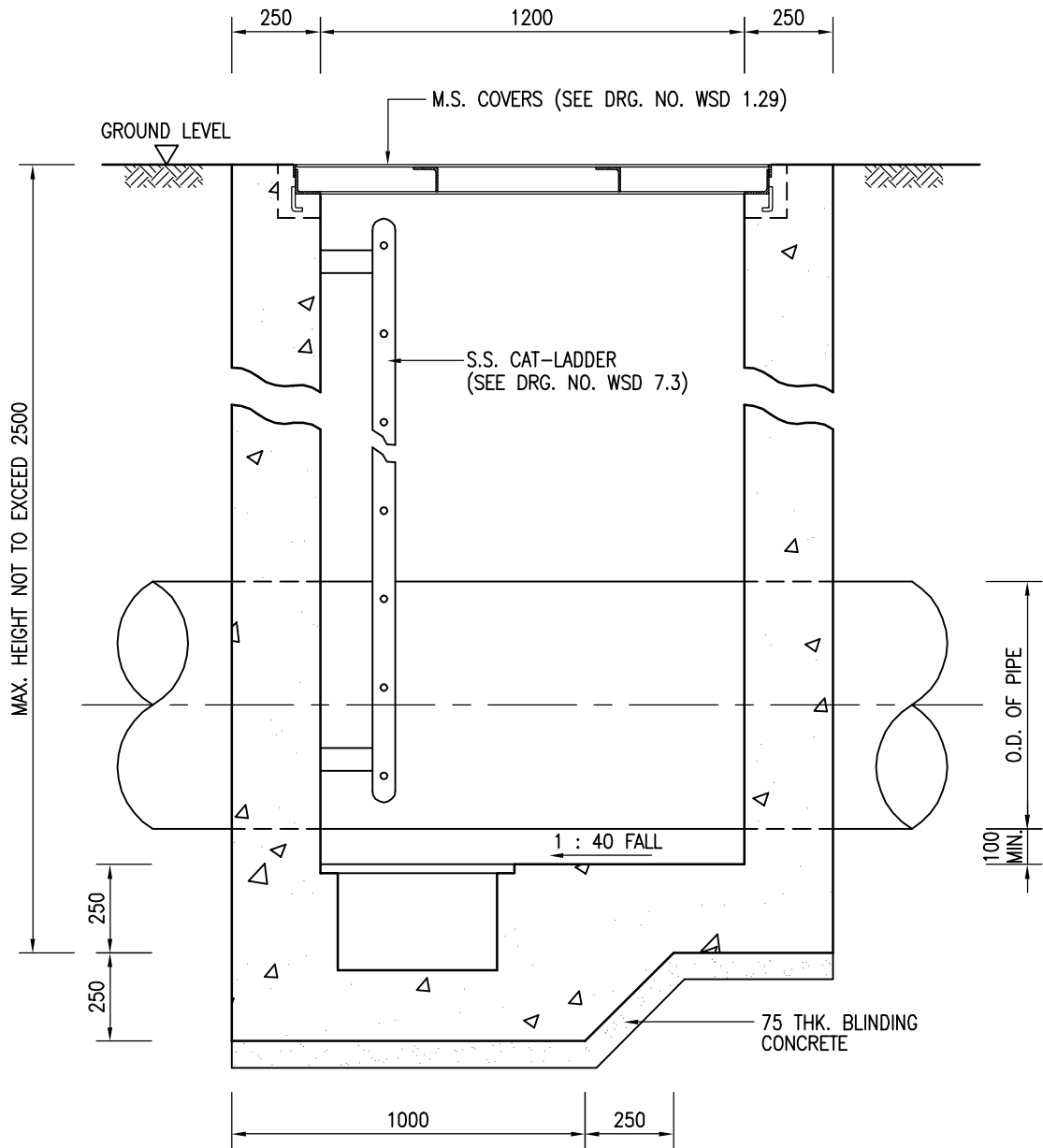
17/3/94

WSD 1.27C

SCALE

1 : 20

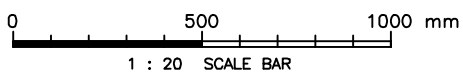
(SHEET 2 OF 3)



**SECTION B - B**

**NOTES:**

1. ALL DIMENSIONS ARE IN MILLIMETRES.
2. ALL REINFORCED CONCRETE SHALL BE GRADE 35/20D. BLINDING CONCRETE SHALL BE GRADE 20/20D.
3. THE SECTION OF PIPE INSIDE CHAMBER SHALL BE STRAIGHT AND WITHOUT JOINTS, BOSSES OR OTHER SURFACE IRREGULARITIES. IN THE CASE OF D.I. PIPE, THE PIPE SHALL BE SUITABLE FOR CUTTING.
4. WHERE THE CHAMBER IS LOCATED IN CARRIAGEWAY OR PAVED AREA AND WILL BE SUBJECTED TO TRAFFIC LOADS, PRECAST CONCRETE COVER AS SHOWN ON STANDARD DRAWING NO. WSD 1.25 SHALL BE USED. EXACT REQUIREMENT OF THE COVER SHALL BE AS SHOWN ON CONTRACT DRAWINGS OR AS DIRECTED.
5. THIS DRAWING SHALL BE READ IN CONJUNCTION WITH DRG. NO. WSD 1.28.



Cad Ref. : WSD012703-C.dwg

**PORTABLE FLOWMETER CHAMBER  
FOR PIPE DN700 AND BELOW -  
GENERAL ARRANGEMENT**



**水務署  
Water Supplies Department**

APPROVED	K.P. MOK AD/NW	DRAWING NO.	CSWP
DATE	17/3/94	WSD 1.27C	
SCALE	1 : 20	(SHEET 3 OF 3)	