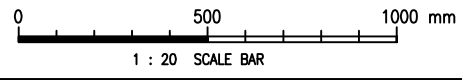


ROOF PLAN



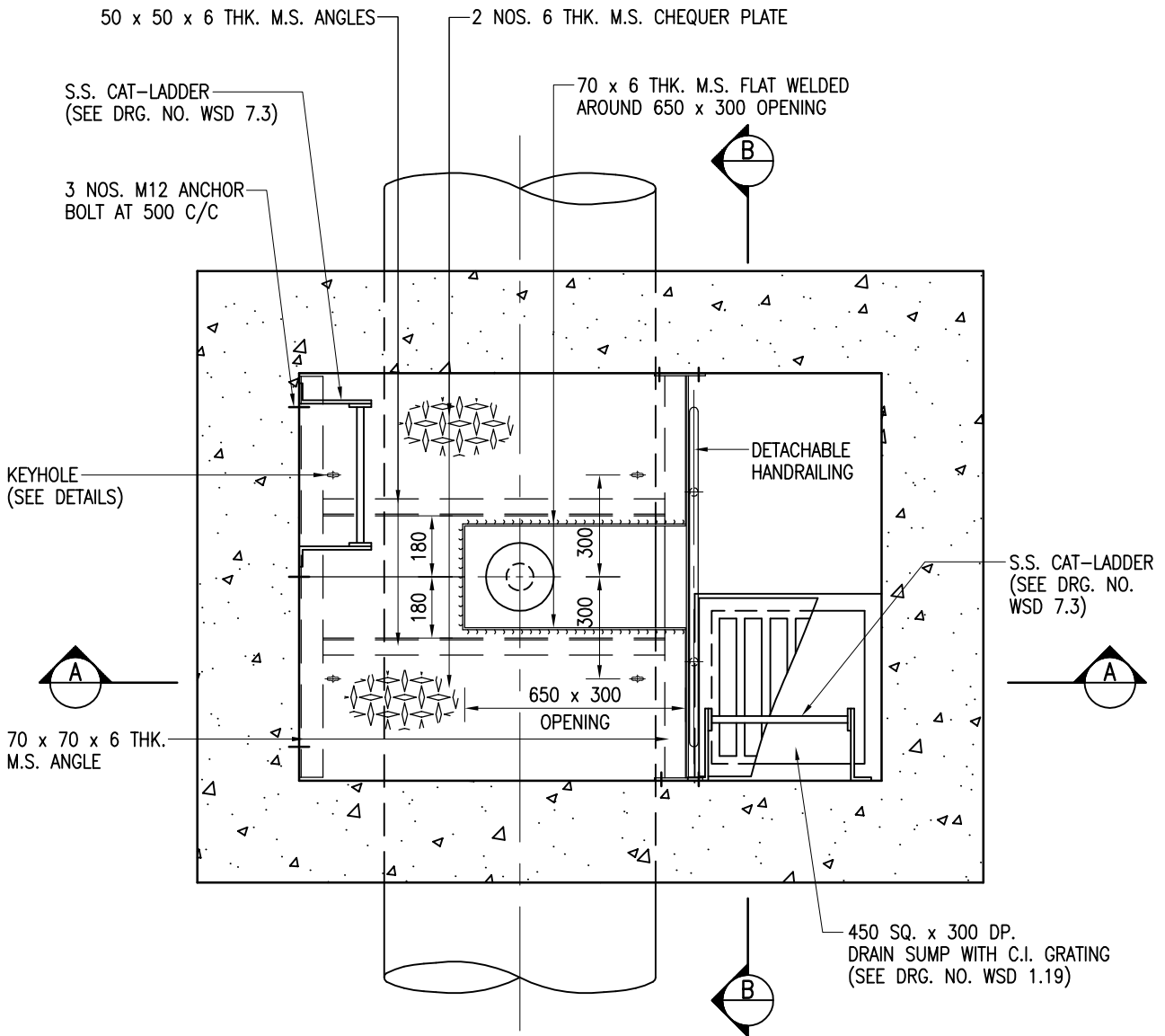
Cad Ref. : WSD012501 - E.dwg

E	GENERAL REVISION	S.K. YEUNG	2/1/15
D	NOTE 3 UPDATED	W.K. CHIU	18/7/08
C	RE-FORMATTED TO CSWP	W.K. CHIU	5/9/03
B	GENERAL REVISION	W.K. CHIU	10/10/00
A	STEP IRONS REPLACED BY CAT-LADDER	K.W. CHAN	30/07/97
REF.	REVISION	APPROVED	DATE

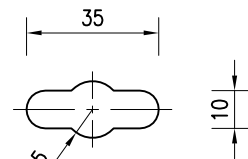
PORTABLE FLOWMETER CHAMBER  
FOR PIPE DN800 AND ABOVE -  
GENERAL ARRANGEMENT

 水務署  
Water Supplies Department

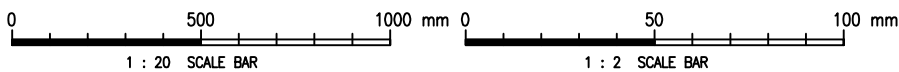
APPROVED	K.P. MOK AD/NW	DRAWING NO.	CSWP
DATE	17/3/94	WSD 1.25E (SHEET 1 OF 6)	
SCALE	1 : 20		



SECTIONAL PLAN



KEYHOLE  
SCALE 1 : 2



Cad Ref : WSD012502-E.dwg

PORTABLE FLOWMETER CHAMBER  
FOR PIPE DN800 AND ABOVE –  
GENERAL ARRANGEMENT



水務署  
Water Supplies Department

APPROVED

K.P. MOK  
AD/NW

DATE

17/3/94

SCALE

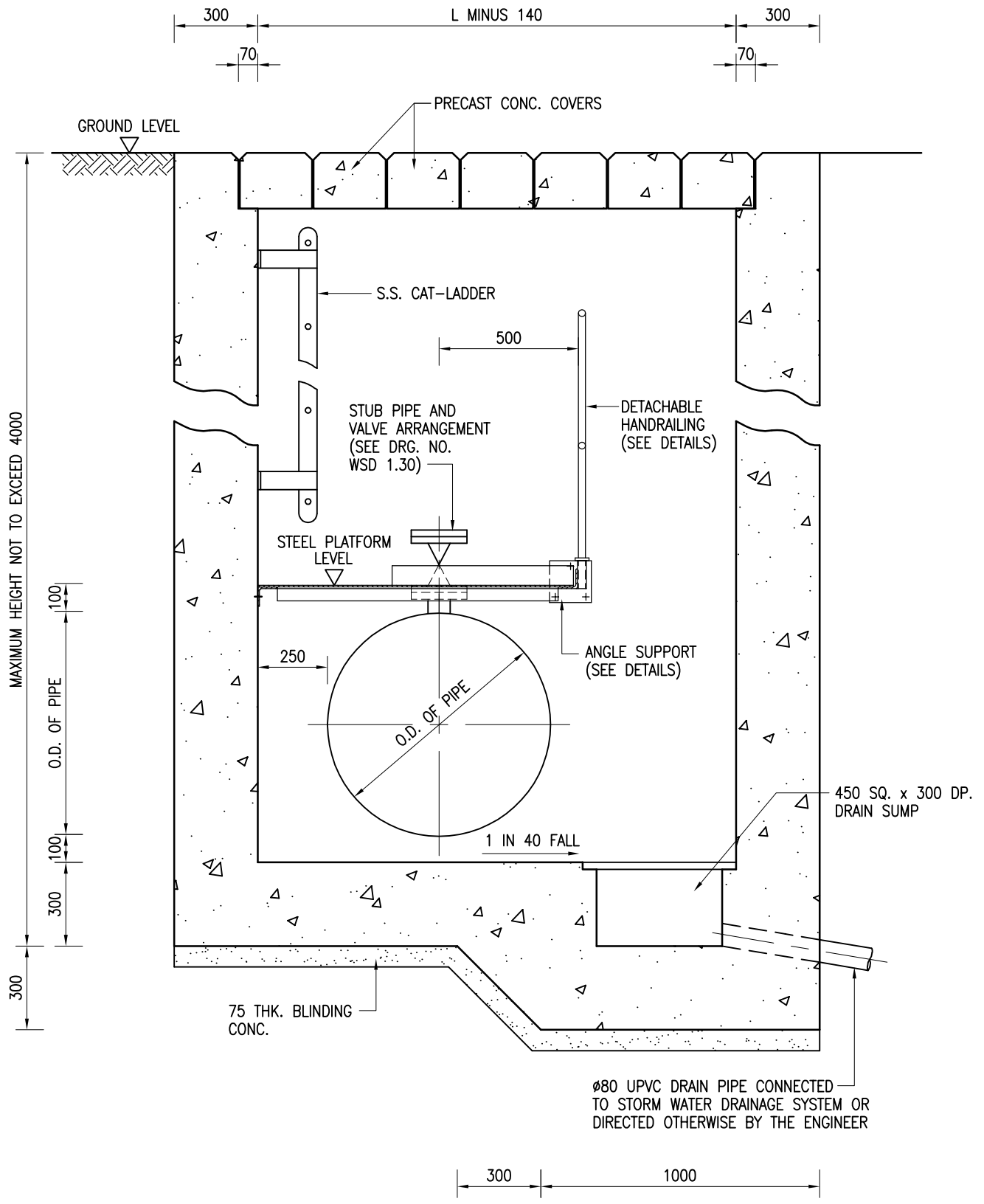
1 : 20 OR AS SHOWN

DRAWING NO.

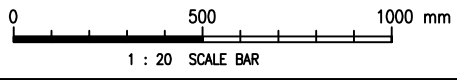
WSD 1.25E

(SHEET 2 OF 6)

CSWP



SECTION A - A



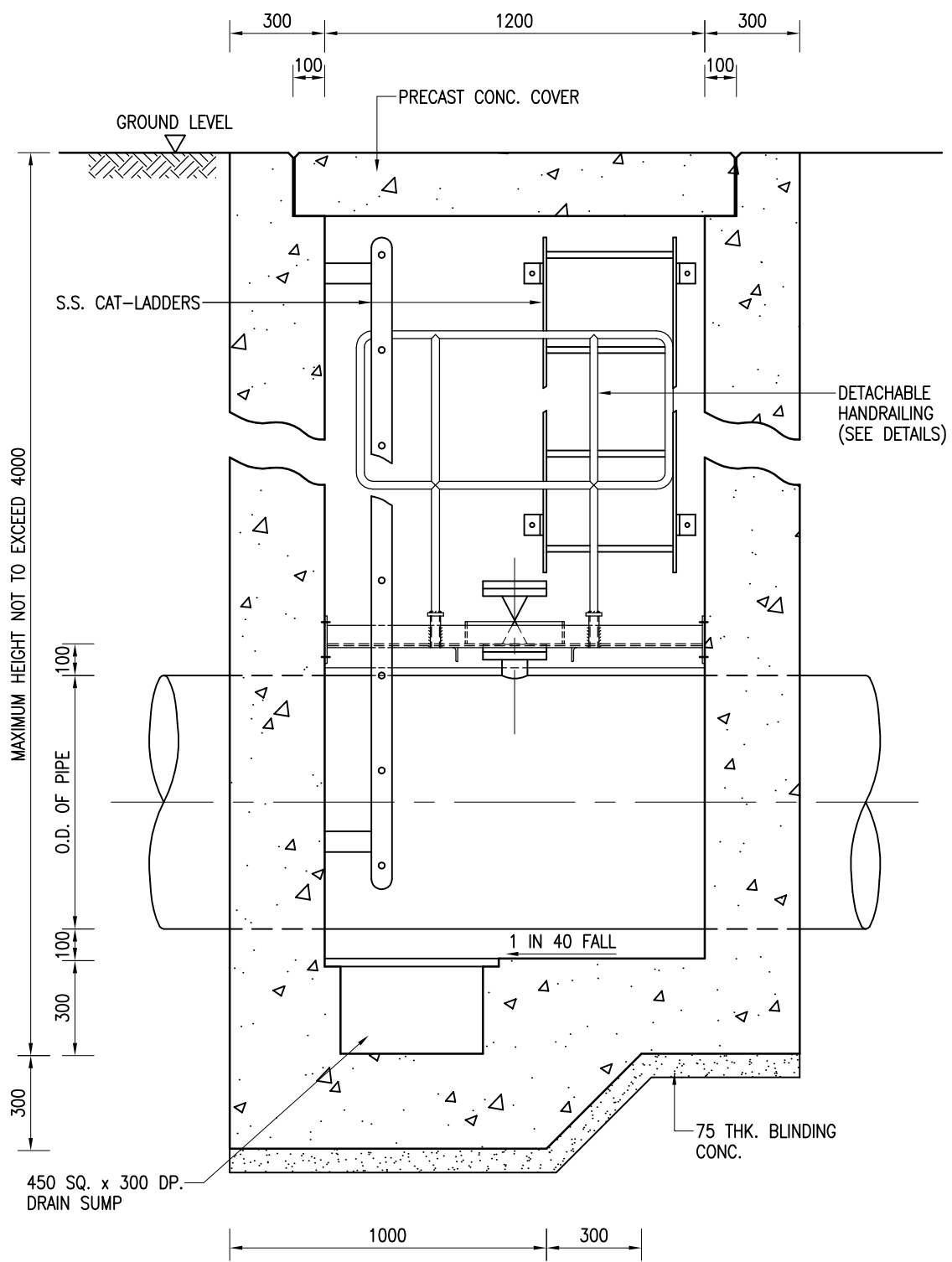
Cad Ref. : WSD012503-E.dwg

PORTABLE FLOWMETER CHAMBER  
FOR PIPE DN800 AND ABOVE -  
GENERAL ARRANGEMENT

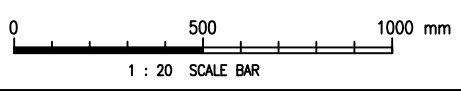


水務署  
Water Supplies Department

APPROVED	K.P. MOK AD/NW	DRAWING NO. WSD 1.25E (SHEET 3 OF 6)	CSWP
DATE	17/3/94		
SCALE	1 : 20		



SECTION B - B



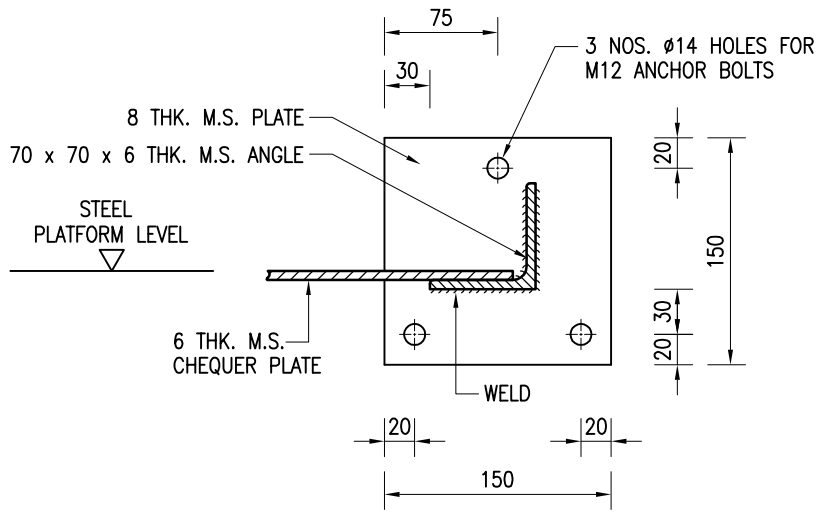
Cad Ref. : WSD012504-E.dwg

PORTABLE FLOWMETER CHAMBER  
FOR PIPE DN800 AND ABOVE -  
GENERAL ARRANGEMENT



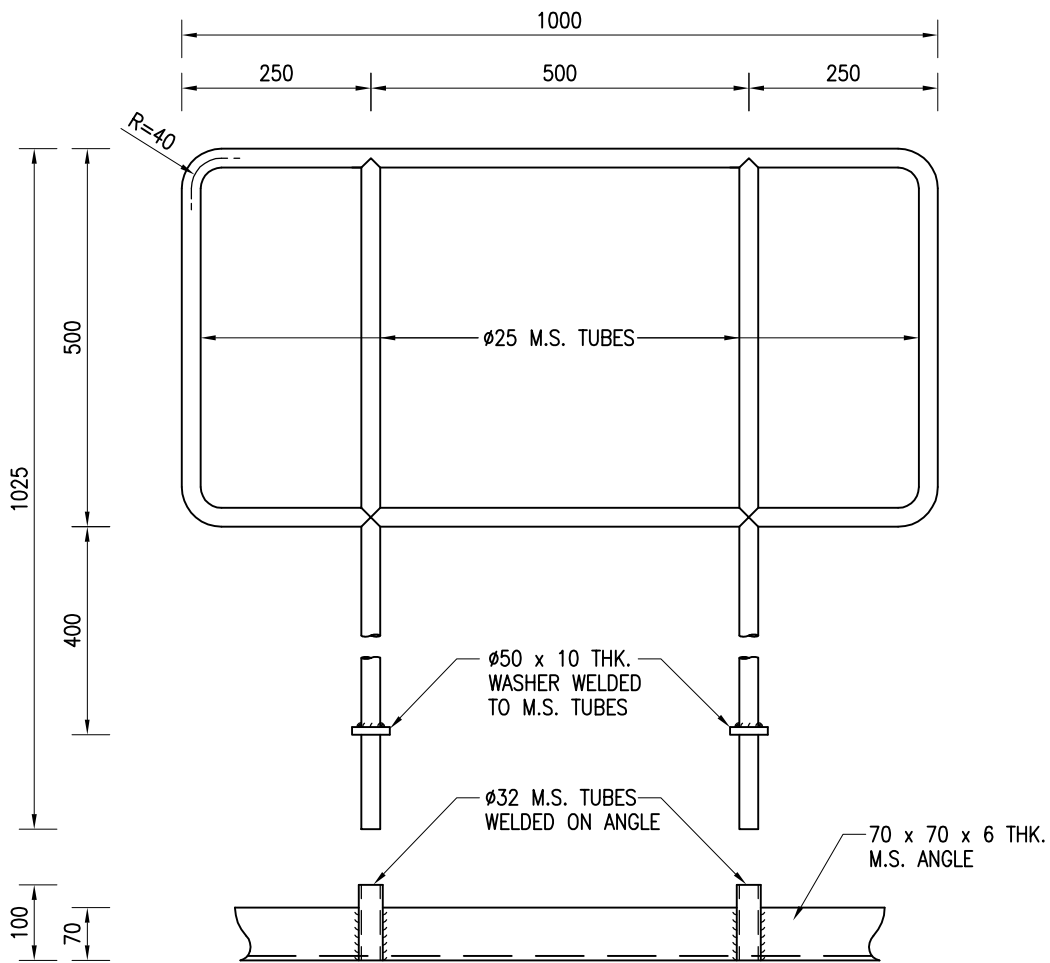
水務署  
Water Supplies Department

APPROVED	K.P. MOK AD/NW	DRAWING NO.	CSWP WSD 1.25E (SHEET 4 OF 6)
DATE	17/3/94		
SCALE	1 : 20		

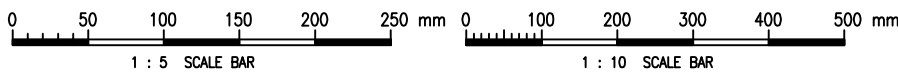


**DETAILS OF ANGLE SUPPORT**

SCALE 1 : 5



**DETAILS OF DETACHABLE HANDRAILING**



Cad Ref. : WSD012505-E.dwg

PORTABLE FLOWMETER CHAMBER  
FOR PIPE DN800 AND ABOVE –  
GENERAL ARRANGEMENT

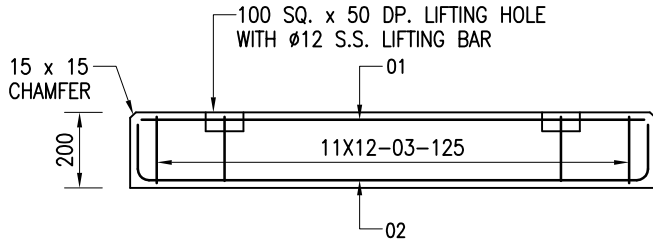


水務署  
Water Supplies Department

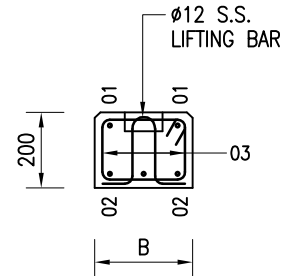
APPROVED	K.P. MOK AD/NW	DRAWING NO.	CSWP
DATE	17/3/94	WSD 1.25E	(SHEET 5 OF 6)
SCALE	1 : 10 OR AS SHOWN		

PIPE SIZE	L	B	NO. OF UNITS
DN800	1855	259	7
DN900	1855	259	7
DN1000	2060	252	8
DN1200	2260	245	9
DN1400	2465	241	10
DN1600	2665	261	10

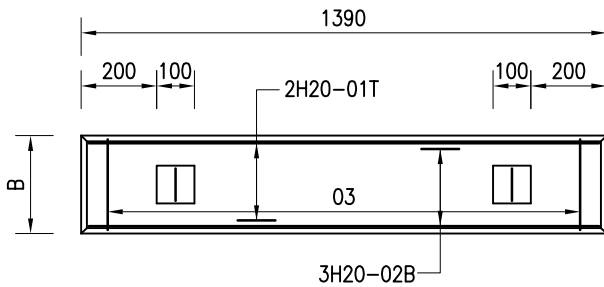
### SCHEDULE OF PRECAST CONCRETE COVERS



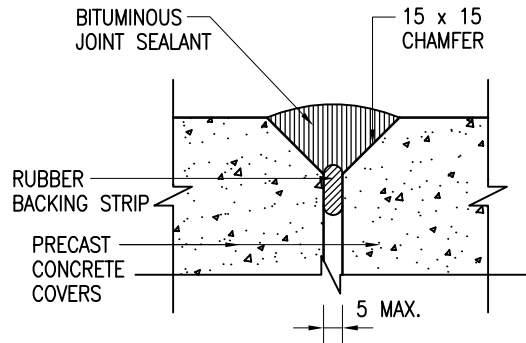
SECTIONAL ELEVATION



SECTIONAL END VIEW



PLAN

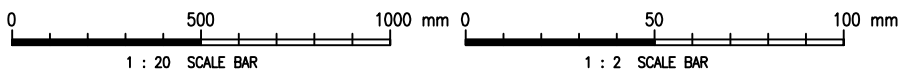


TYPICAL DETAILS OF JOINT SEALANT FOR PRECAST CONCRETE COVER

SCALE 1 : 2

NOTES:

- ALL DIMENSIONS ARE IN MILLIMETRES.
- ALL REINFORCED CONCRETE SHALL BE GRADE 35/20D. BLINDING CONCRETE SHALL BE GRADE 20/20D.
- UNLESS OTHERWISE SPECIFIED, ALL STEEL MATERIALS SHALL BE HOT-DIP GALVANIZED TO BS EN ISO 1461:2009 AND WELDS SHALL BE 5mm FILLET WELD.
- WHERE THE CHAMBER IS LOCATED AWAY FROM CARRIAGEWAY OR PAVED AREA AND IS NOT SUBJECTED TO TRAFFIC LOADS, MILD STEEL COVER AS SHOWN ON STANDARD DRAWING NO. WSD 1.29 SHALL BE USED. EXACT REQUIREMENT OF THE COVER TO THE CHAMBER SHALL BE AS SHOWN ON CONTRACT DRAWINGS.
- STUB PIPE ON THE WATER MAIN WITH DETAILS AS SHOWN ON STANDARD DRAWING NO. WSD 1.30 SHALL BE FABRICATED BY THE CONTRACTOR.
- THIS DRAWING SHALL BE READ IN CONJUNCTION WITH DRAWING NO. WSD 1.26.
- FOR DESCRIPTION OF REINFORCEMENT REFER TO DRAWING NO. WSD 7.1.



1 : 20 SCALE BAR

1 : 2 SCALE BAR

PORTABLE FLOWMETER CHAMBER FOR PIPE DN800 AND ABOVE – GENERAL ARRANGEMENT



水務署  
Water Supplies Department

APPROVED

K.P. MOK  
AD/NW

DATE

17/3/94

SCALE

1 : 20 OR AS SHOWN

DRAWING NO.

WSD 1.25E

(SHEET 6 OF 6)

CSWP