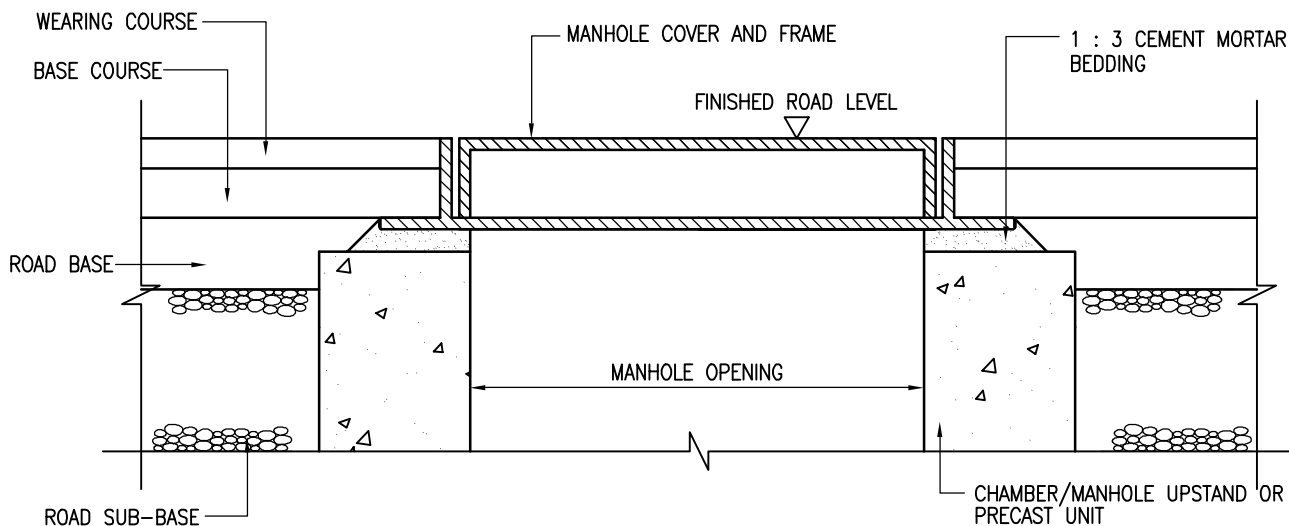
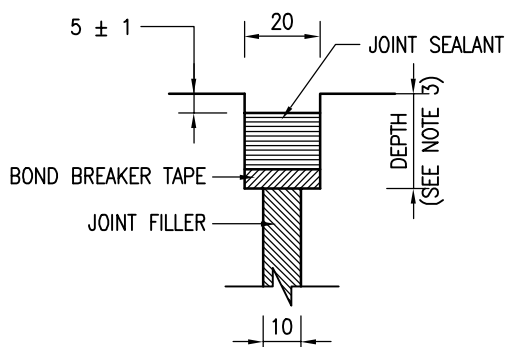


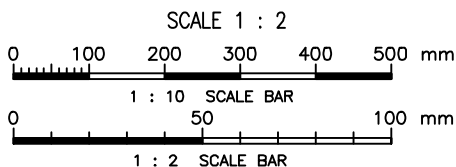
TOP TREATMENT APPLIED TO CONCRETE ROAD SURFACE



TOP TREATMENT APPLIED TO FLEXIBLE ROAD SURFACE



ISOLATION JOINT



D	RE-FORMATTED TO CSWP	W.K. CHIU	5/9/03
C	TOP TREATMENT DETAILS FOR PAVING UNIT FOOTWAY SURFACE ADDED	W.K. CHIU	6/12/01
B	NOTE 4 ADDED TO ACCOUNT FOR UTLC PAPER NO. 2/2000	W.K. CHIU	23/6/00
A	GENERAL REVISION	W.K. CHIU	14/9/99
REF.	REVISION	APPROVED	DATE

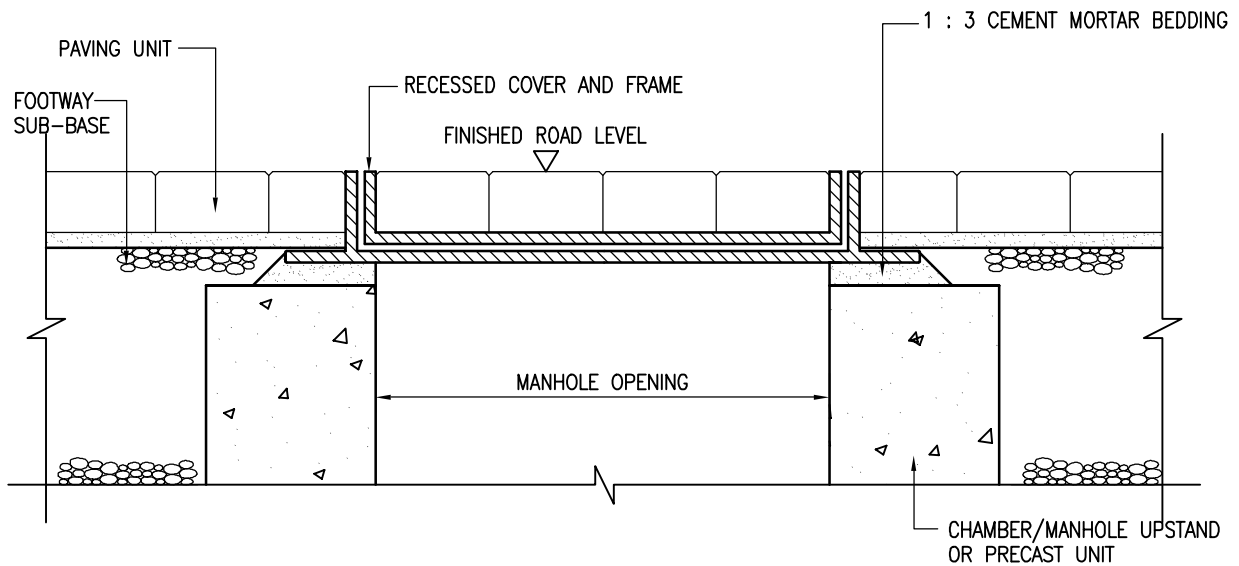
Cad Ref. : WSD012401-D.dwg

TOP TREATMENT TO COVER OF MANHOLES/VALVES CHAMBERS IN CARRIAGEWAY AND FOOTWAY



水務署
Water Supplies Department

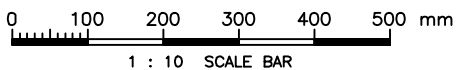
APPROVED	G.C. LEE AD/NW	DRAWING NO.	CSWP
DATE	9/6/92	WSD 1.24D	
SCALE	1 : 10 OR AS SHOWN	(SHEET 1 OF 2)	



TOP TREATMENT APPLIED TO PAVING UNIT FOOTWAY SURFACE

NOTES :

1. ALL DIMENSIONS ARE IN MILLIMETRES.
2. FOR TYPICAL LAYOUT OF THE BOX-OUT SLAB AROUND MANHOLE/VALVE CHAMBER AND POSITIONING OF ISOLATION JOINTS, REFER TO HIGHWAYS DEPARTMENT STANDARD DRAWINGS OR AS DIRECTED BY THE ENGINEER.
3. THE DEPTH OF THE JOINT SEALANT SHALL BE IN ACCORDANCE WITH THE MANUFACTURER'S INSTRUCTIONS FOR THE JOINT SEALANT.
4. MANHOLE COVER SHALL BE LOCATED AT THE CENTRE LINE OF THE TRAFFIC LANE (PREFERABLY SLOW LANE) AS FAR AS PRACTICABLE AND SHALL NOT INTERCEPT THE BOUNDARY LINE OF TWO TRAFFIC LANES UNLESS HIGHWAYS DEPARTMENT AGREES OTHERWISE.



Cad Ref. : WSD012402-D.dwg



水務署
Water Supplies Department

TOP TREATMENT TO COVER OF
MANHOLES/VALVES CHAMBERS IN
CARRIAGEWAY AND FOOTWAY

APPROVED	G.C. LEE AD/NW	DRAWING NO.	CSWP
DATE	9/6/92	WSD 1.24D (SHEET 2 OF 2)	
SCALE	1 : 10		