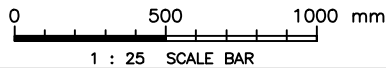


TYPICAL DETAILS OF LEAKAGE COLLECTION SYSTEM



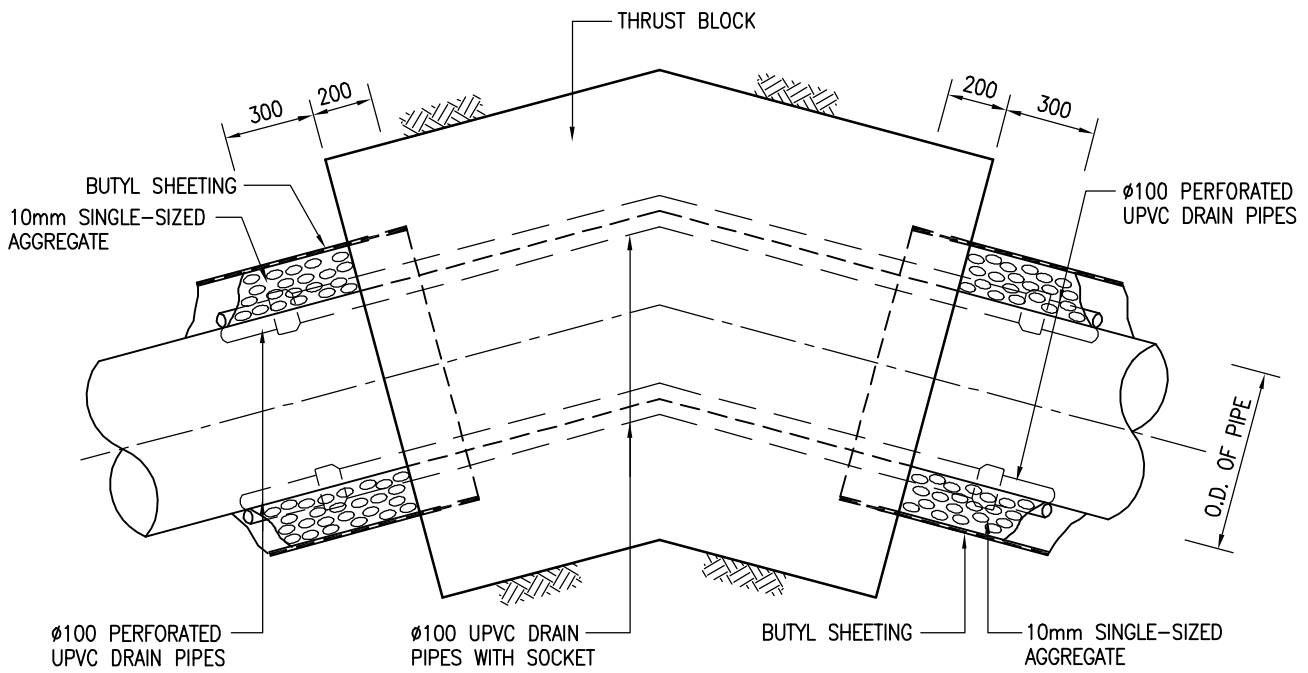
C	RE-FORMATTED TO CSWP	W.K. CHIU	5/9/03
B	GENERAL REVISION	W.K. CHIU	6/12/01
A	GENERAL REVISION	W.K. CHIU	16/12/99
REF.	REVISION	APPROVED	DATE

LEAKAGE COLLECTION SYSTEM

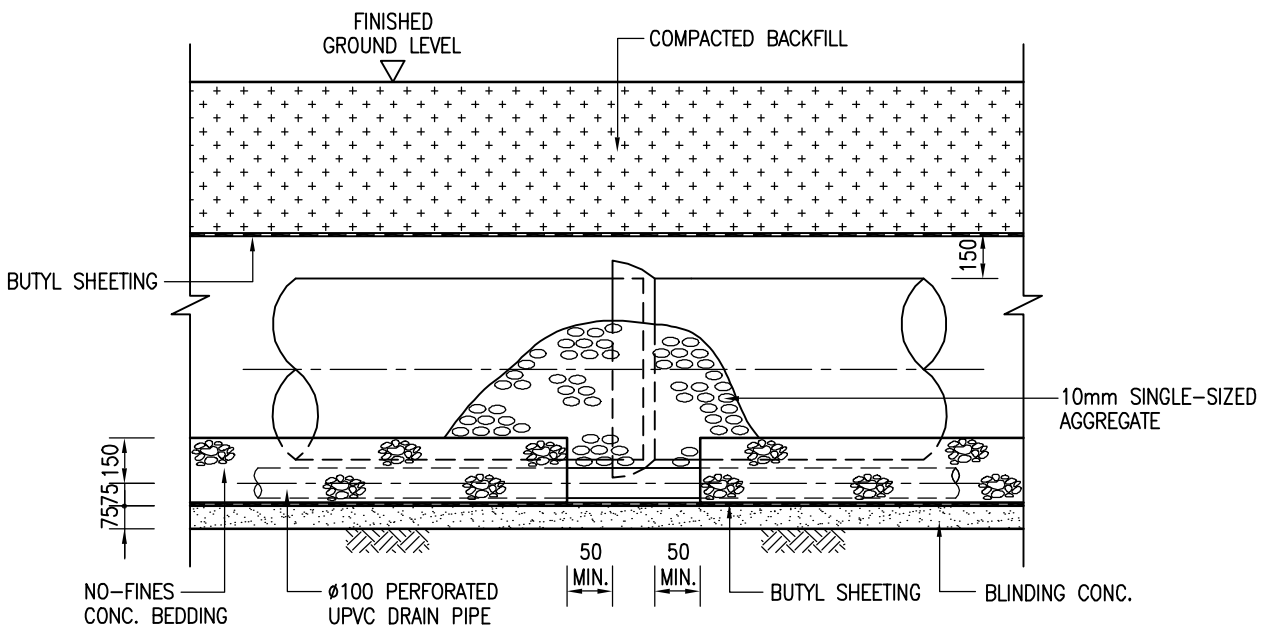


水務署
Water Supplies Department

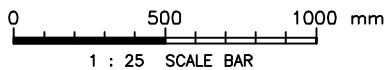
APPROVED	G.C. LEE AD/NW	DRAWING NO.	CSWP
DATE	9/6/92	WSD 1.20C	
SCALE	1 : 25	(SHEET 1 OF 3)	



TYPICAL DETAILS OF LEAKAGE COLLECTION SYSTEM
IN CONJUNCTION WITH THRUST BLOCK



TYPICAL DETAILS AT PIPE JOINT



Cad Ref. : WSD012002-C.dwg

LEAKAGE COLLECTION SYSTEM



水務署
Water Supplies Department

APPROVED

G.C. LEE
AD/NW

DATE

9/6/92

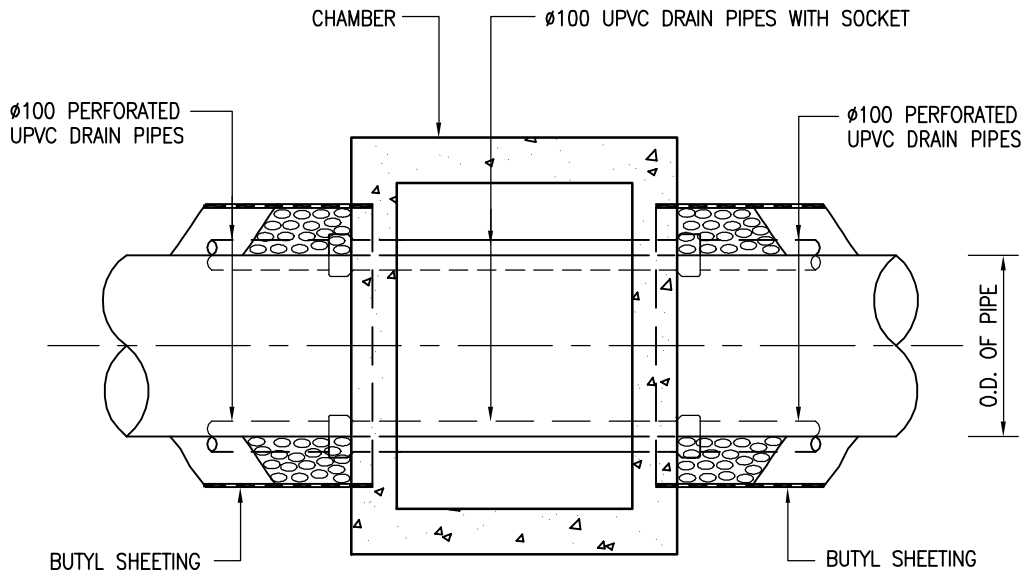
SCALE

1 : 25

DRAWING NO.

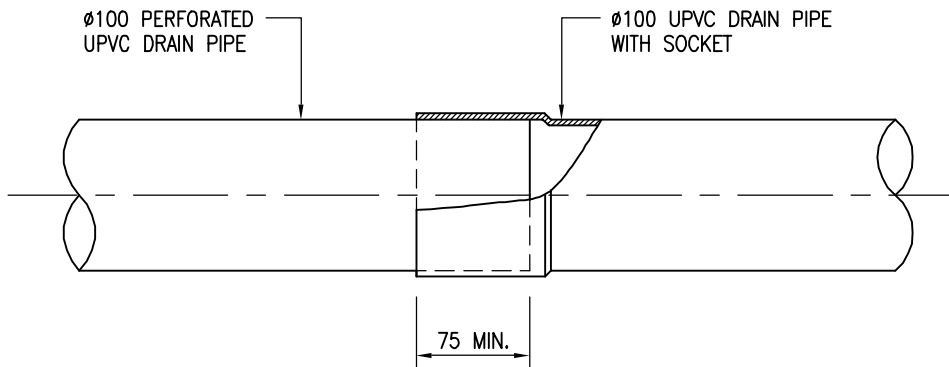
WSD 1.20C
(SHEET 2 OF 3)

CSWP



**TYPICAL DETAILS OF LEAKAGE COLLECTION SYSTEM
IN CONJUNCTION WITH CHAMBER**

SCALE 1 : 25

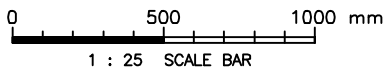
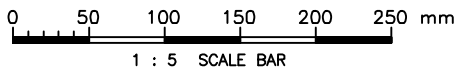


TYPICAL JOINTING DETAILS OF UPVC PIPE

SCALE 1 : 5

NOTES :

1. ALL DIMENSIONS ARE IN MILLIMETRES.
2. THE DIMENSIONS OF THRUST BLOCK AND CHAMBER SHALL BE AS SPECIFIED ON CONTRACT DRAWINGS.
3. FOR DETAILS OF LEAKAGE COLLECTION MANHOLE REFER TO DRG. NO. WSD 1.38.



Cad Ref. :WSD012003-C.dwg

LEAKAGE COLLECTION SYSTEM



水務署
Water Supplies Department

APPROVED

G.C. LEE
AD/NW

DATE

9/6/92

SCALE

1 : 25 OR AS SHOWN

DRAWING NO.

WSD 1.20C
(SHEET 3 OF 3)

CSWP