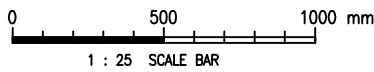


PLAN

NOTES :

1. ALL DIMENSIONS ARE IN MILLIMETRES.
2. ALL REINFORCED CONCRETE SHALL BE GRADE 35/20D. BLINDING CONCRETE SHALL BE GRADE 20/20D.
3. NOMINAL COVER TO REINFORCEMENT SHALL BE 40mm UNLESS OTHERWISE SPECIFIED.
4. FOR DESCRIPTION OF REINFORCEMENT REFER TO DRAWING NO. WSD 7.1.
5. MINIMUM LAP LENGTH FOR RIBBED STEEL REINFORCING BARS SHALL BE 43 TIMES THE DIAMETER OF THE SMALLER LAPPED BAR UNLESS OTHERWISE SPECIFIED.
6. DETAILS OF PIPE OPENING REINFORCEMENT SHALL BE IN ACCORDANCE WITH DRAWING NO. WSD 1.12.



D	THICKNESS OF TOP SLAB AND MANHOLE OPENING REVISED	W.K. CHIU	11/5/07
C	RE-FORMATTED TO CSWP	W.K. CHIU	5/9/03
B	GENERAL REVISION	W.K. CHIU	20/9/00
A	M.H. OPENING AND WALL THICKNESS AMENDED	K.W. CHAN	25/11/96

E	GENERAL REVISION	S.K. YEUNG	2/1/15
---	------------------	------------	--------

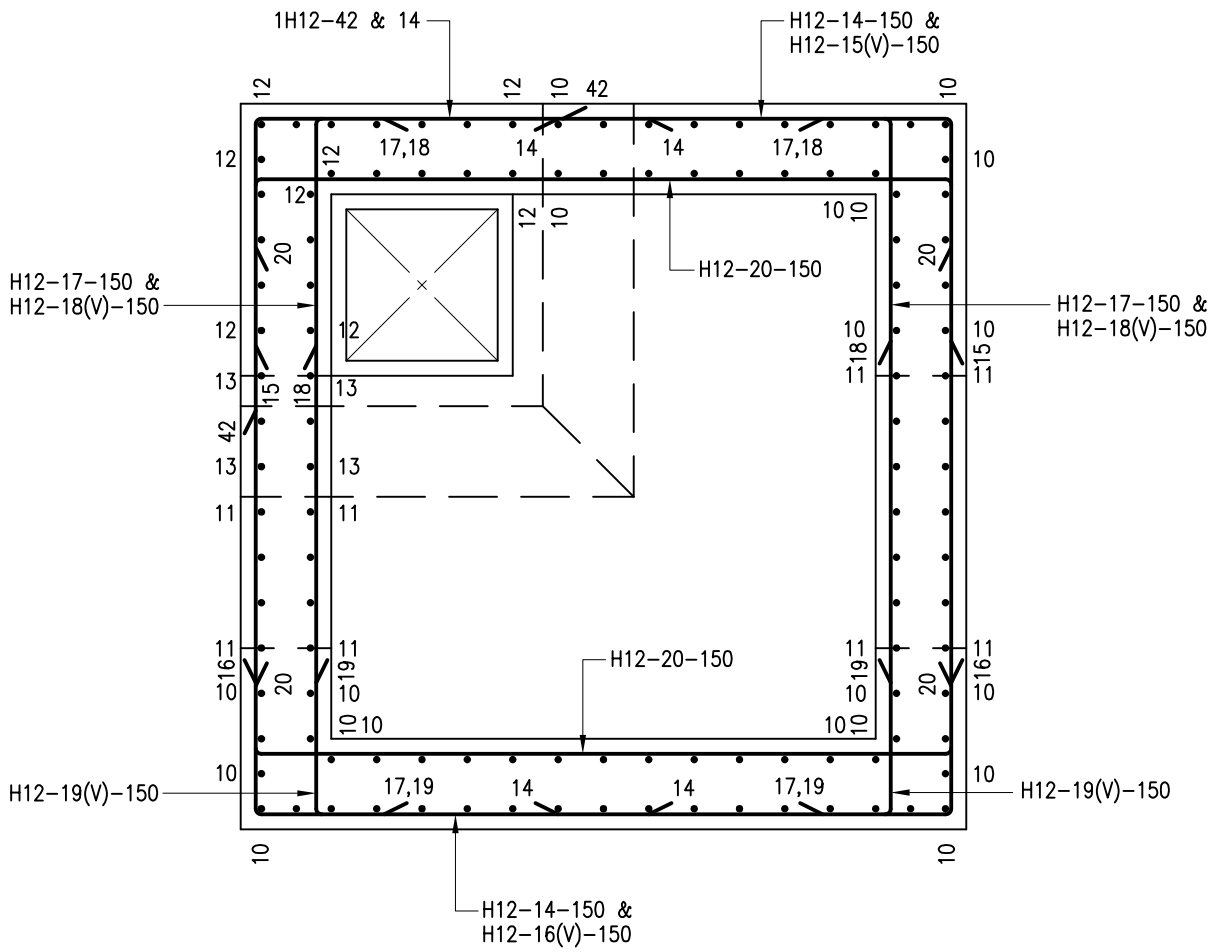
REF.	REVISION	APPROVED	DATE
------	----------	----------	------

INSPECTION TEE CHAMBER -
R.C. DETAILS

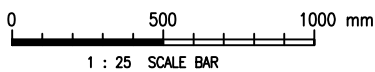


水務署
Water Supplies Department

APPROVED	K.P. MOK AD/NW	DRAWING NO.	CSWP
DATE	9/6/92	WSD 1.16E	(SHEET 1 OF 4)
SCALE	1 : 25		



SECTIONAL PLAN



Cad Ref. : WSD011602-E.dwg

INSPECTION TEE CHAMBER -
R.C. DETAILS



水務署
Water Supplies Department

APPROVED

K.P. MOK
AD/NW

DATE

9/6/92

SCALE

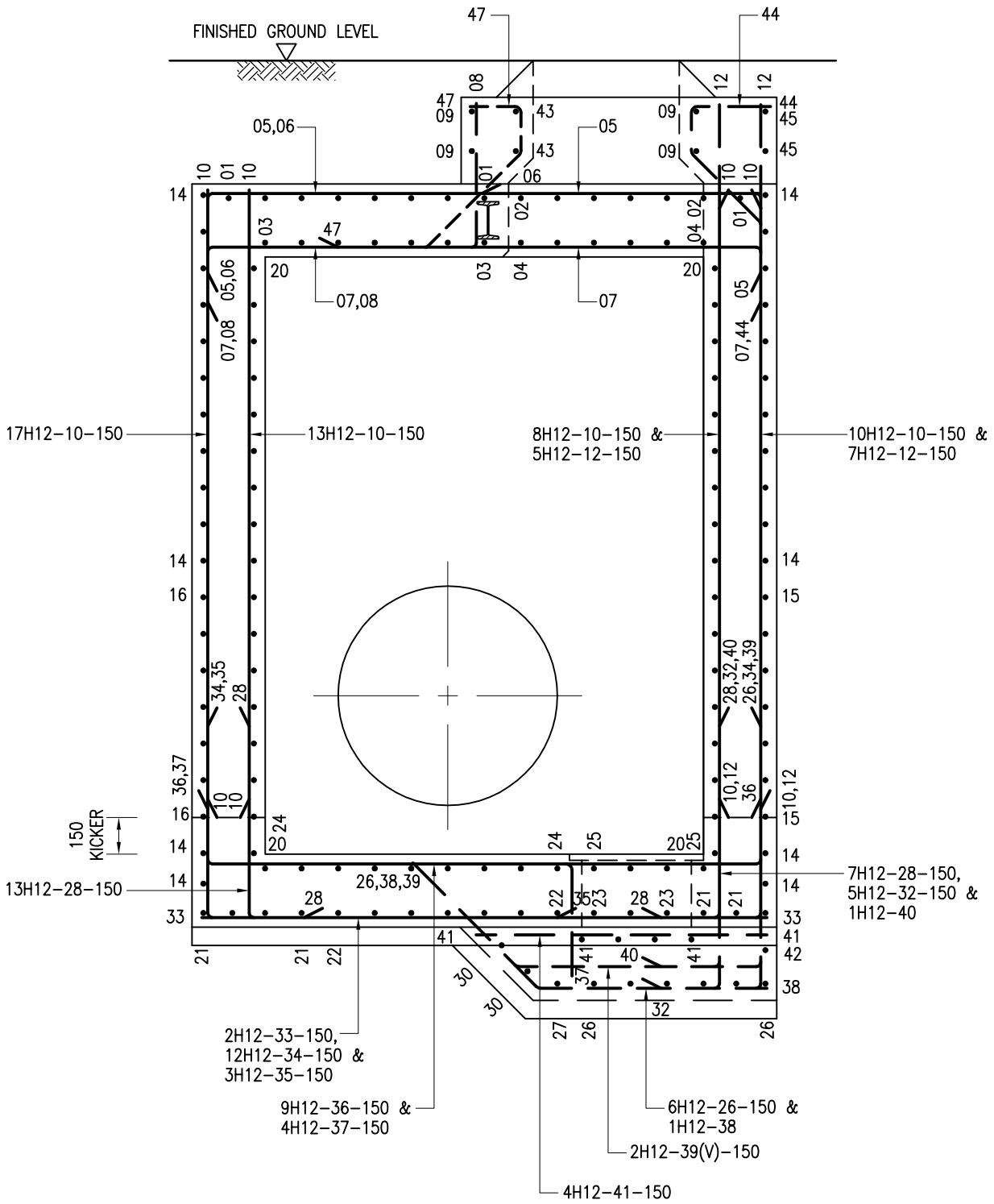
1 : 25

DRAWING NO.

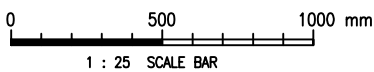
WSD 1.16E
(SHEET 2 OF 4)

CSWP

Cad Ref. : WSD011604-E.dwg



SECTION B - B



**INSPECTION TEE CHAMBER -
R.C. DETAILS**



**水務署
Water Supplies Department**

APPROVED

K.P. MOK
AD/NW

DATE

9/6/92

SCALE

1 : 25

DRAWING NO.

WSD 1.16E

(SHEET 4 OF 4)

CSWP