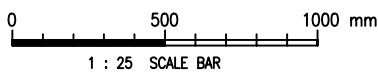


PLAN

NOTES :

1. ALL DIMENSIONS ARE IN MILLIMETRES UNLESS OTHERWISE SPECIFIED.
2. ALL REINFORCED CONCRETE SHALL BE GRADE 35/20D. BLINDING CONCRETE SHALL BE GRADE 20/20D.
3. FOR CONNECTION DETAILS OF ROLLED STEEL JOIST REFER TO DRAWING NO. WSD 1.13.
4. DRAIN HOLE AND HESSIAN BAG SHALL BE INSTALLED WHEN THE ESTIMATED HIGHEST GROUND WATER LEVEL IS BELOW THE FORMATION LEVEL OF CHAMBER.



E	THICKNESS OF TOP SLAB AND MANHOLE OPENING REVISED	W.K. CHIU	11/5/07
D	RE-FORMATTED TO CSWP	W.K. CHIU	5/9/03
C	GENERAL REVISION	W.K. CHIU	20/9/00
B	REFERENCE TO C.I. COVER DELETED	W.K. CHIU	14/9/99
A	M.H. OPENING AND WALL THICKNESS AMENDED	K.W. CHAN	25/11/96
REF.	REVISION	APPROVED	DATE

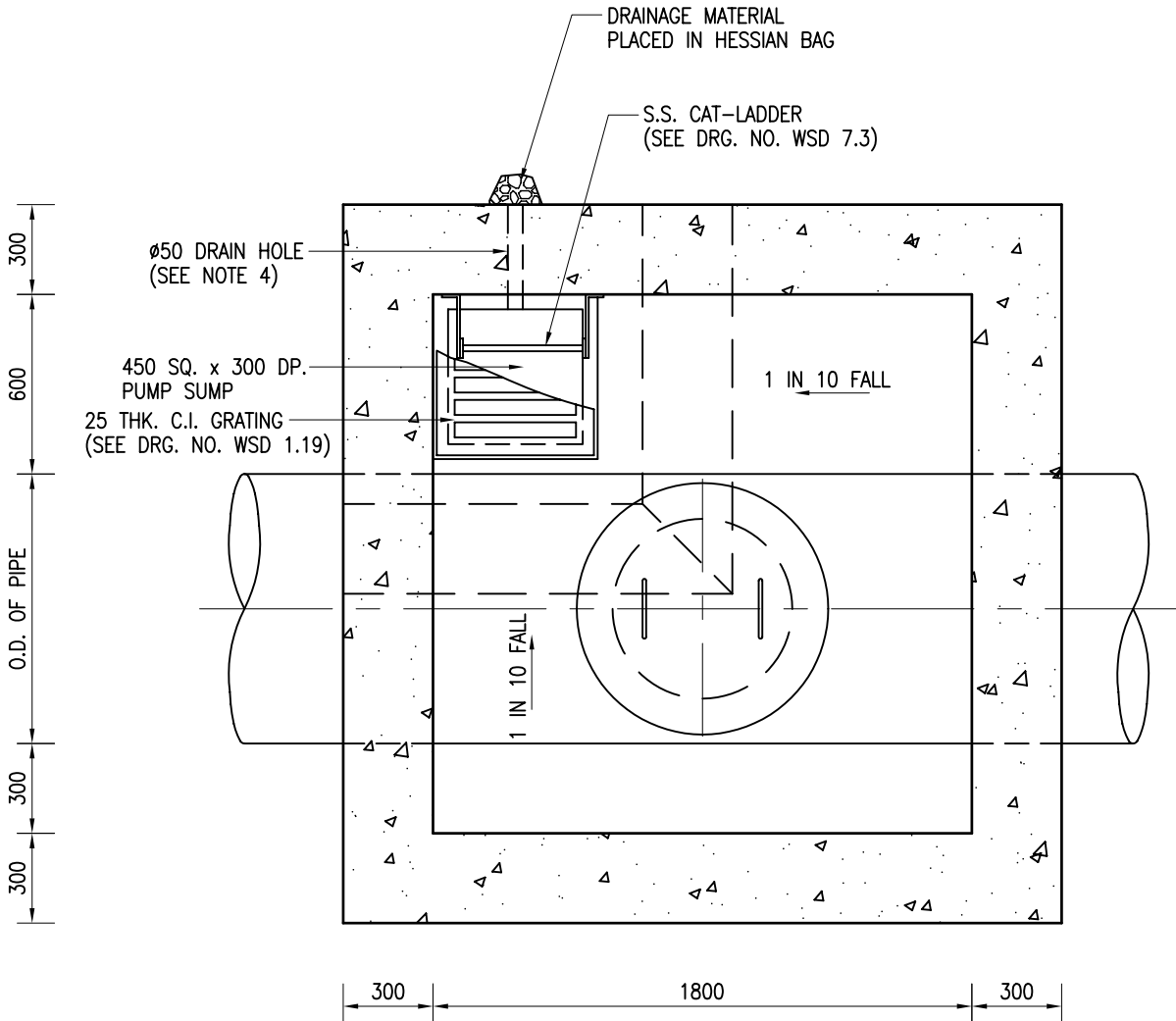
Cad Ref. : WSD011501-E.dwg

INSPECTION TEE CHAMBER –
GENERAL ARRANGEMENT

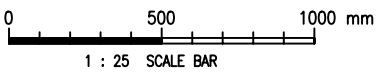


水務署
Water Supplies Department

APPROVED	G.C. LEE AD/NW	DRAWING NO.	CSWP
DATE	9/6/92	WSD 1.15E (SHEET 1 OF 4)	
SCALE	1 : 25		



SECTIONAL PLAN



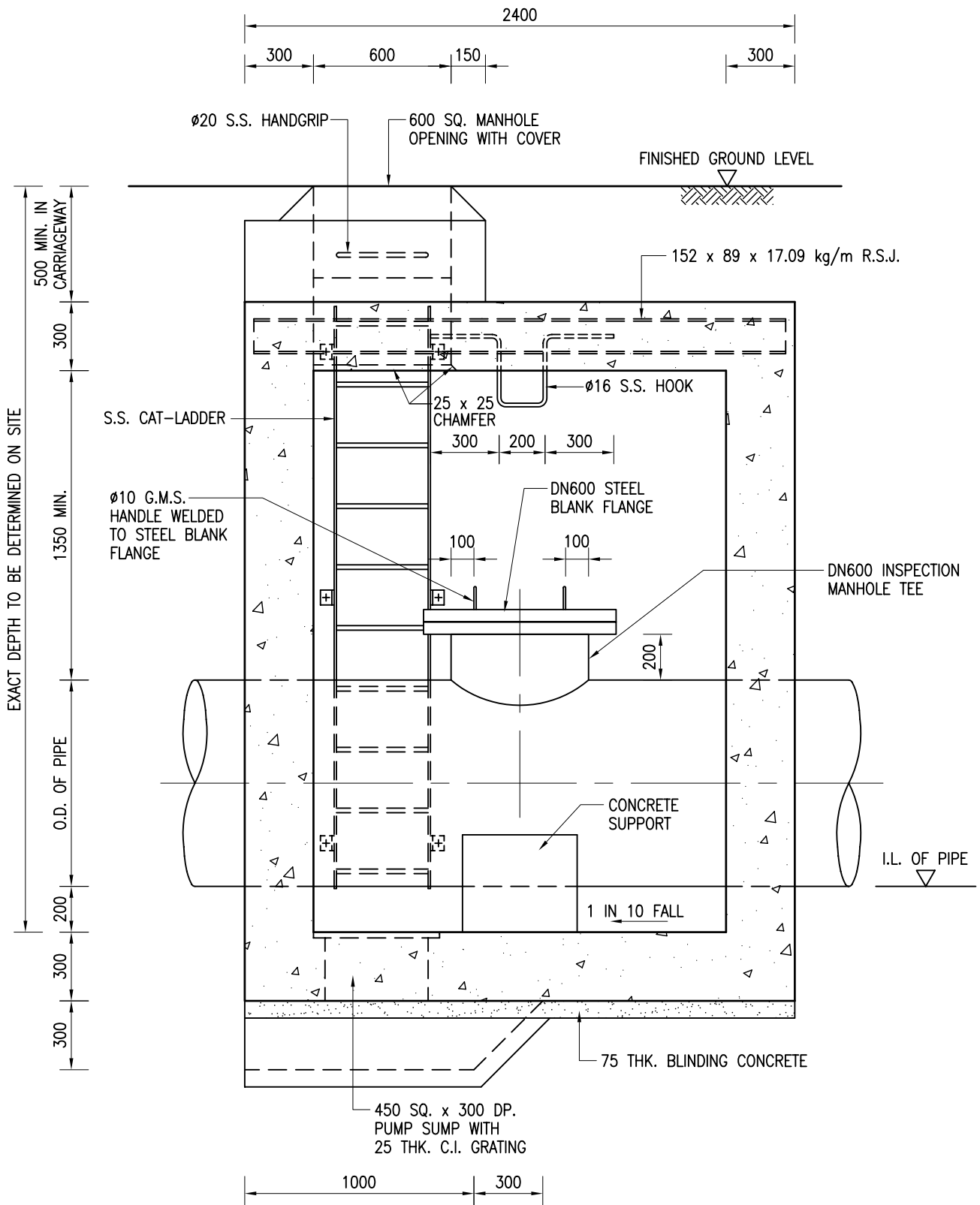
Cad Ref. : WSD011502-E.dwg

INSPECTION TEE CHAMBER —
GENERAL ARRANGEMENT

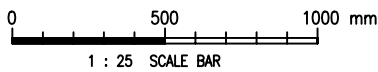


水務署
Water Supplies Department

APPROVED	G.C. LEE AD/NW	DRAWING NO. WSD 1.15E (SHEET 2 OF 4)	CSWP
DATE	9/6/92		
SCALE	1 : 25		



SECTION A - A



Cad Ref. : WSD011503-E.dwg

INSPECTION TEE CHAMBER -
GENERAL ARRANGEMENT



水務署
Water Supplies Department

APPROVED

G.C. LEE
AD/NW

DATE

9/6/92

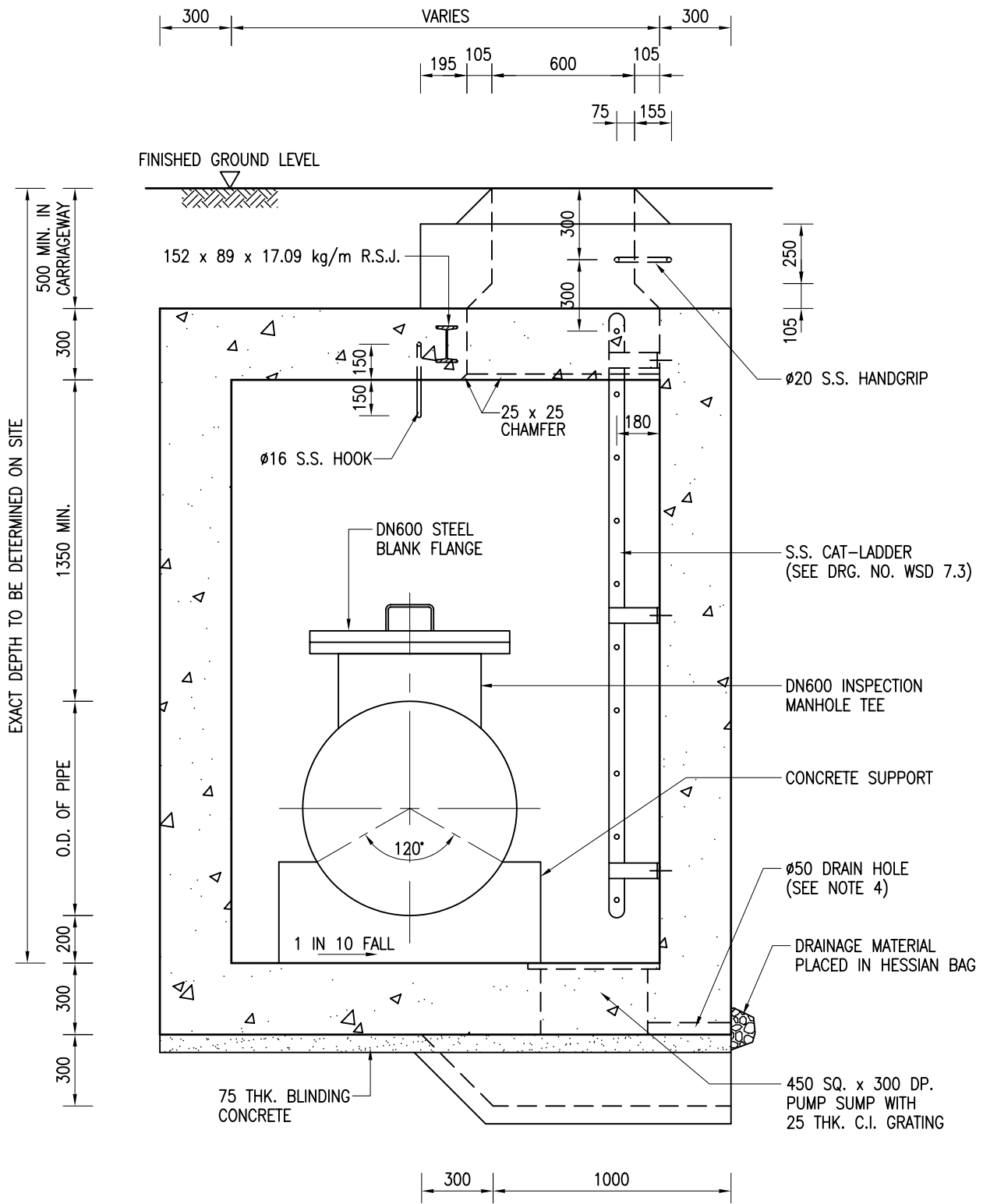
SCALE

1 : 25

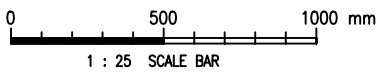
DRAWING NO.

WSD 1.15E
(SHEET 3 OF 4)

CSWP



SECTION B - B



Cad Ref. : WSD011504-E.dwg

INSPECTION TEE CHAMBER -
GENERAL ARRANGEMENT



水務署
Water Supplies Department

APPROVED

G.C. LEE
AD/NW

DATE

9/6/92

SCALE

1 : 25

DRAWING NO.

WSD 1.15E
(SHEET 4 OF 4)

CSWP