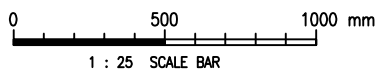


PLAN

NOTES :

1. ALL DIMENSIONS ARE IN MILLIMETRES.
2. ALL REINFORCED CONCRETE SHALL BE GRADE 35/20D. BLINDING CONCRETE SHALL BE GRADE 20/20D.
3. NOMINAL COVER TO REINFORCEMENT SHALL BE 40mm UNLESS OTHERWISE SPECIFIED.
4. FOR DESCRIPTION OF REINFORCEMENT REFER TO DRAWING NO. WSD 7.1.
5. MINIMUM LAP LENGTH FOR RIBBED STEEL REINFORCING BARS SHALL BE 43 TIMES THE DIAMETER OF THE SMALLER LAPPED BAR UNLESS OTHERWISE SPECIFIED.
6. FOR SIZE OF PIPE OPENING EQUAL TO OR EXCEEDING 200mm, PIPE OPENING REINFORCEMENT SHALL BE PROVIDED IN ACCORDANCE WITH DRAWING NO. WSD 1.12.



D	THICKNESS OF TOP SLAB AND MANHOLE OPENING REVISED	W.K. CHIU	11/5/07
C	RE-FORMATTED TO CSWP	W.K. CHIU	5/9/03
B	GENERAL REVISION	W.K. CHIU	20/9/00
A	M.H. OPENING AND WALL THICKNESS AMENDED	K.W. CHAN	30/7/97

E	GENERAL REVISION	S.K. YEUNG	2/1/15
---	------------------	------------	--------

REF.	REVISION	APPROVED	DATE
------	----------	----------	------

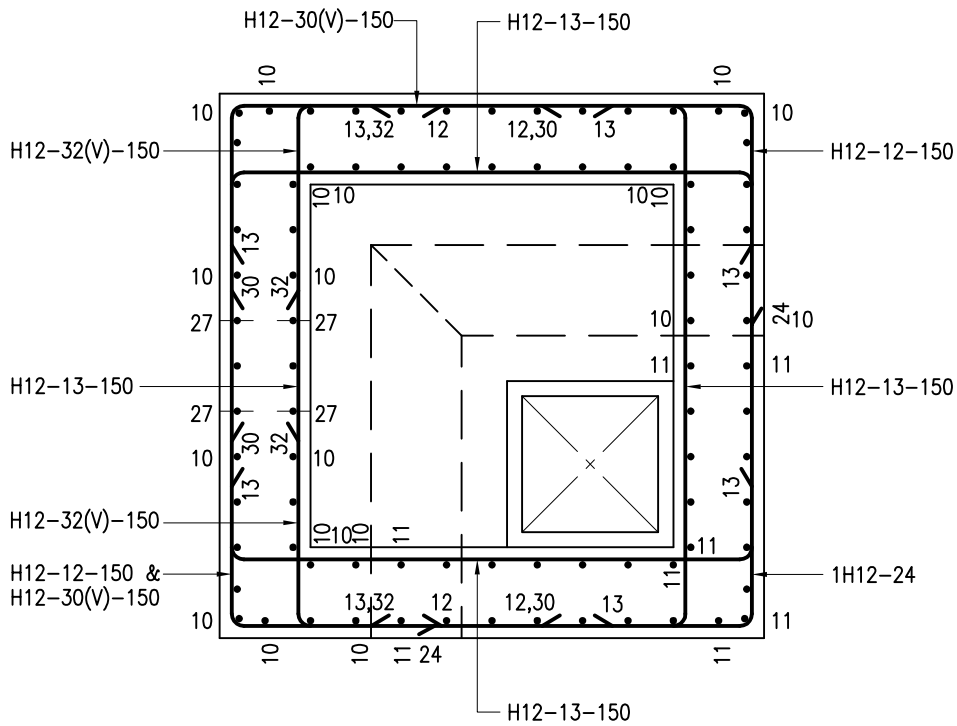
WASHOUT PUMP PIT –
R.C. DETAILS



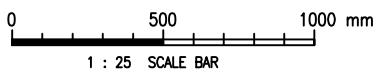
水務署
Water Supplies Department

APPROVED	G.C. LEE AD/NW	DRAWING NO.	CSWP
DATE	9/6/92	WSD 1.14E	
SCALE	1 : 25	(SHEET 1 OF 4)	

Cad Ref : WSD011402-E.dwg



SECTIONAL PLAN

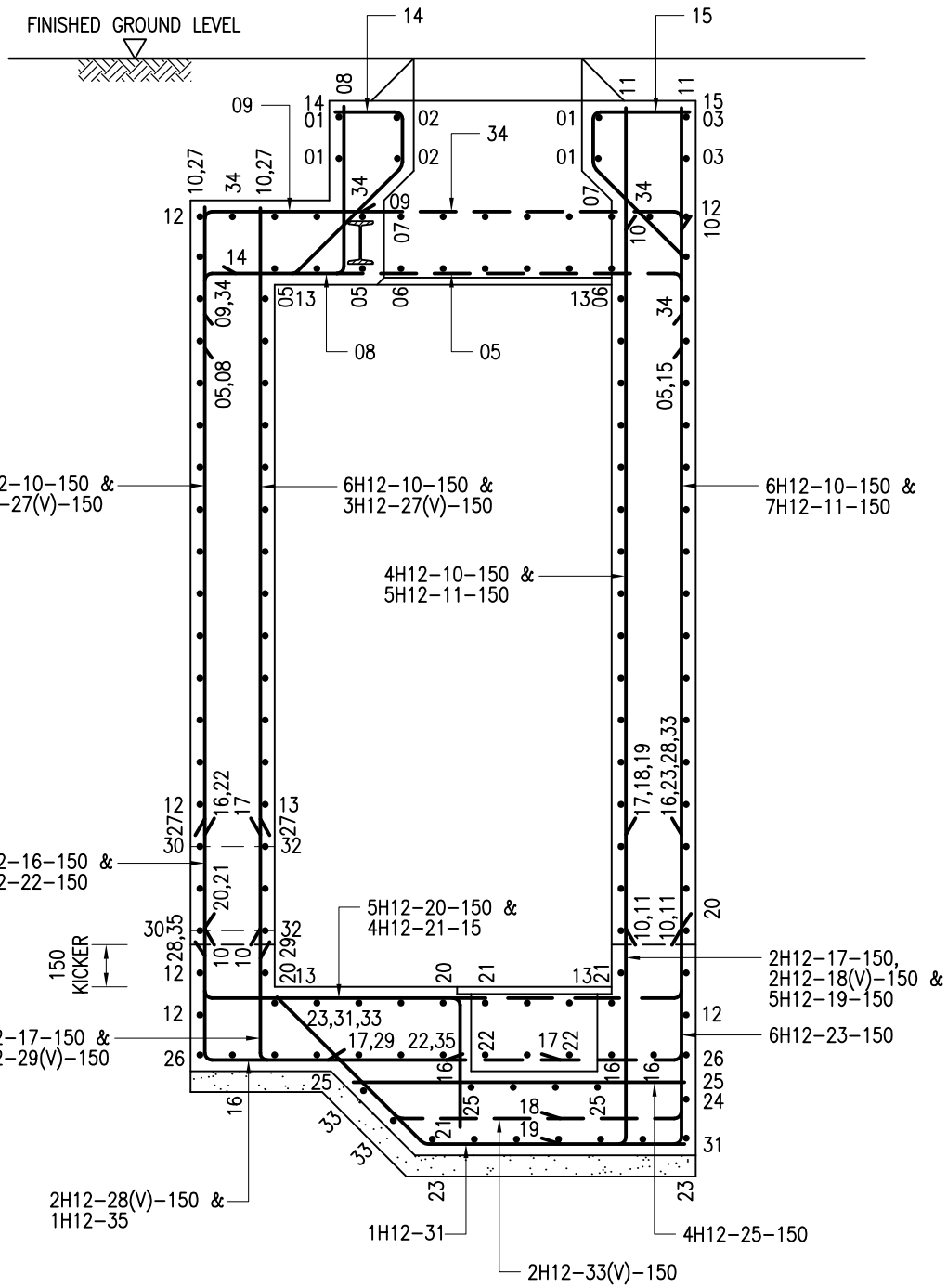


WASHOUT PUMP PIT -
R.C. DETAILS

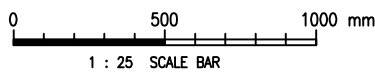


水務署
Water Supplies Department

APPROVED	G.C. LEE AD/NW	DRAWING NO.	CSWP
DATE	9/6/92	WSD 1.14E (SHEET 2 OF 4)	
SCALE	1 : 25		



SECTION A - A



Cad Ref. : WSD011403-E.dwg

WASHOUT PUMP PIT -
R.C. DETAILS



水務署
Water Supplies Department

APPROVED

G.C. LEE
AD/NW

DATE

9/6/92

SCALE

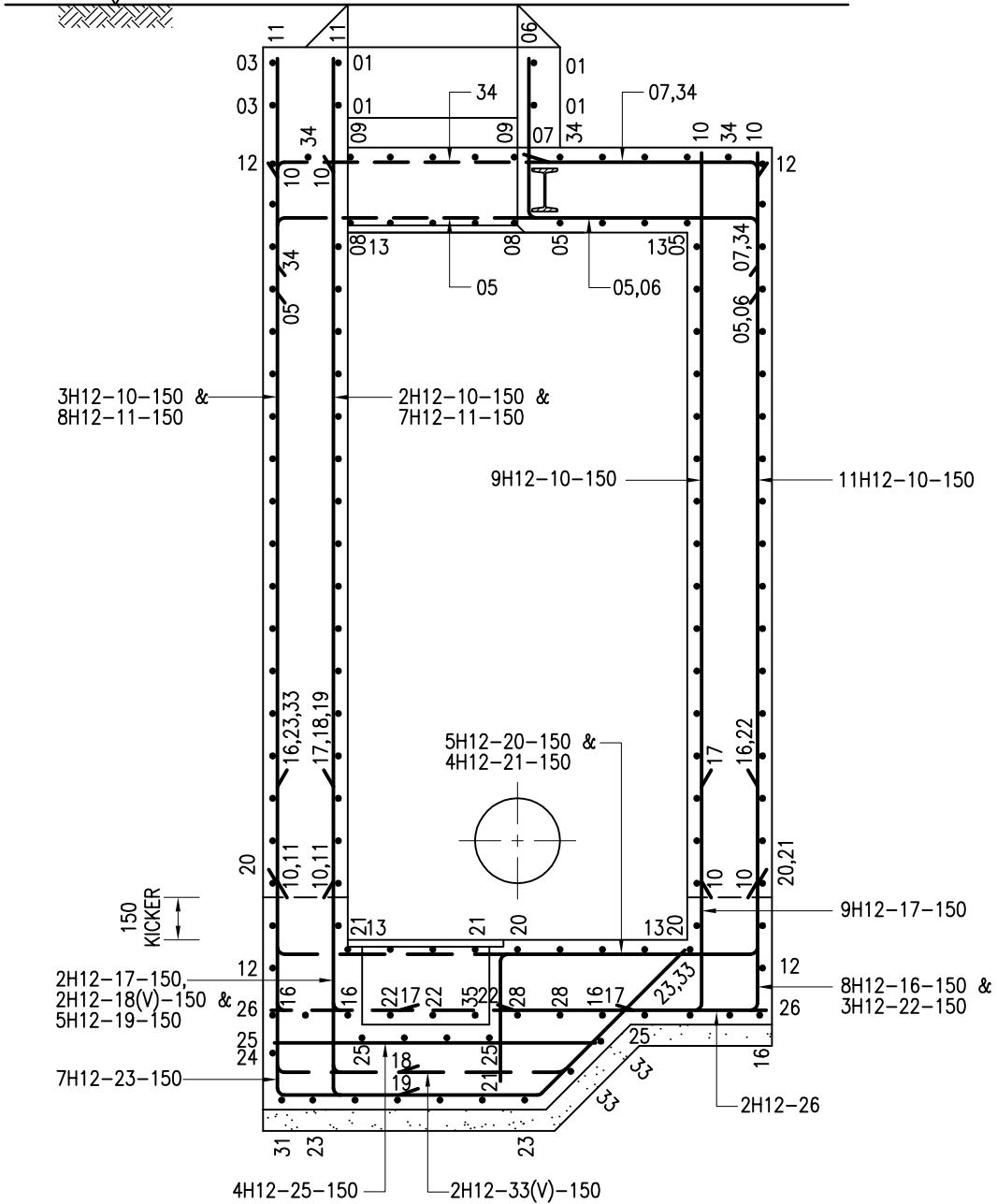
1 : 25

DRAWING NO.

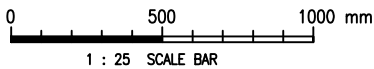
WSD 1.14E
(SHEET 3 OF 4)

CSWP

FINISHED GROUND LEVEL



SECTION B - B



Cad Ref : WSD011404-E.dwg

WASHOUT PUMP PIT -
R.C. DETAILS



水務署
Water Supplies Department

APPROVED

G.C. LEE
AD/NW

DATE

9/6/92

SCALE

1 : 25

DRAWING NO.

WSD 1.14E
(SHEET 4 OF 4)

CSWP