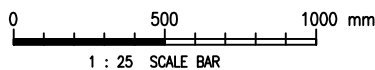


PLAN

NOTES :

1. ALL DIMENSIONS ARE IN MILLIMETRES UNLESS OTHERWISE SPECIFIED.
2. ALL REINFORCED CONCRETE SHALL BE GRADE 35/20D. BLINDING CONCRETE SHALL BE GRADE 20/20D.
3. THE PIT IS ONLY TO BE INSTALLED WHERE THERE IS NO AVAILABLE OUTFALL OR DRAINAGE SYSTEM TO ACCEPT THE DISCHARGE.



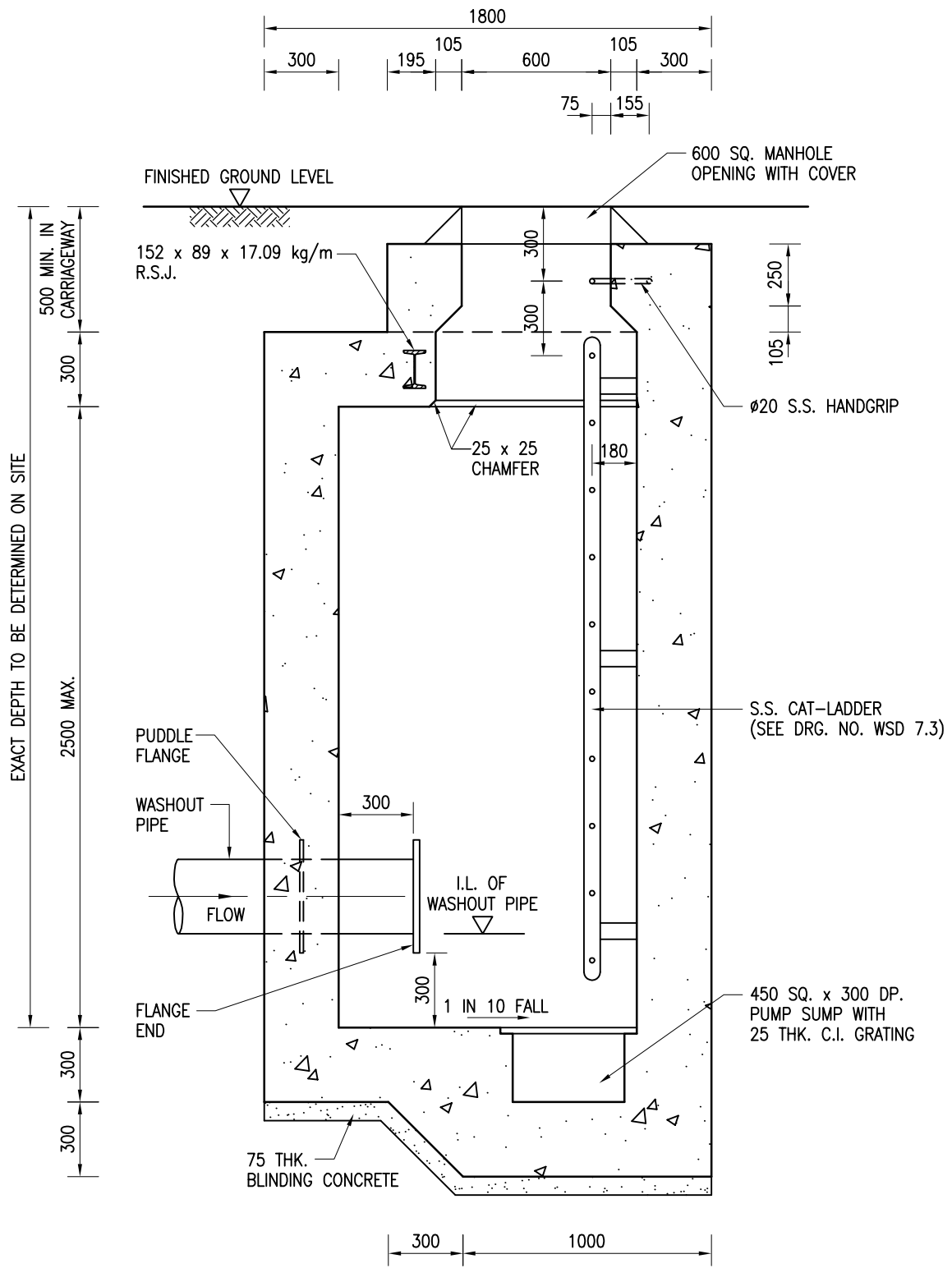
E	THICKNESS OF TOP SLAB AND MANHOLE OPENING REVISED	W.K. CHIU	11/5/07
D	RE-FORMATTED TO CSWP	W.K. CHIU	5/9/03
C	GENERAL REVISION	W.K. CHIU	20/9/00
B	REFERENCE TO C.I. COVER DELETED	W.K. CHIU	14/9/99
A	M.H. OPENING AND WALL THICKNESS AMENDED. STEP IRONS REPLACED BY CAT-LADDER	K.W. CHAN	30/7/97
F	FLANGE END ADDED	S.K. YEUNG	6/5/15
REF.	REVISION	APPROVED	DATE

WASHOUT PUMP PIT –
GENERAL ARRANGEMENT

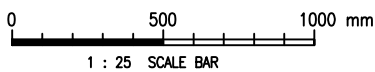


水務署
Water Supplies Department

APPROVED	G.C. LEE AD/NW	DRAWING NO.	CSWP
DATE	9/6/92	WSD 1.13F	(SHEET 1 OF 4)
SCALE	1 : 25		



SECTION A - A



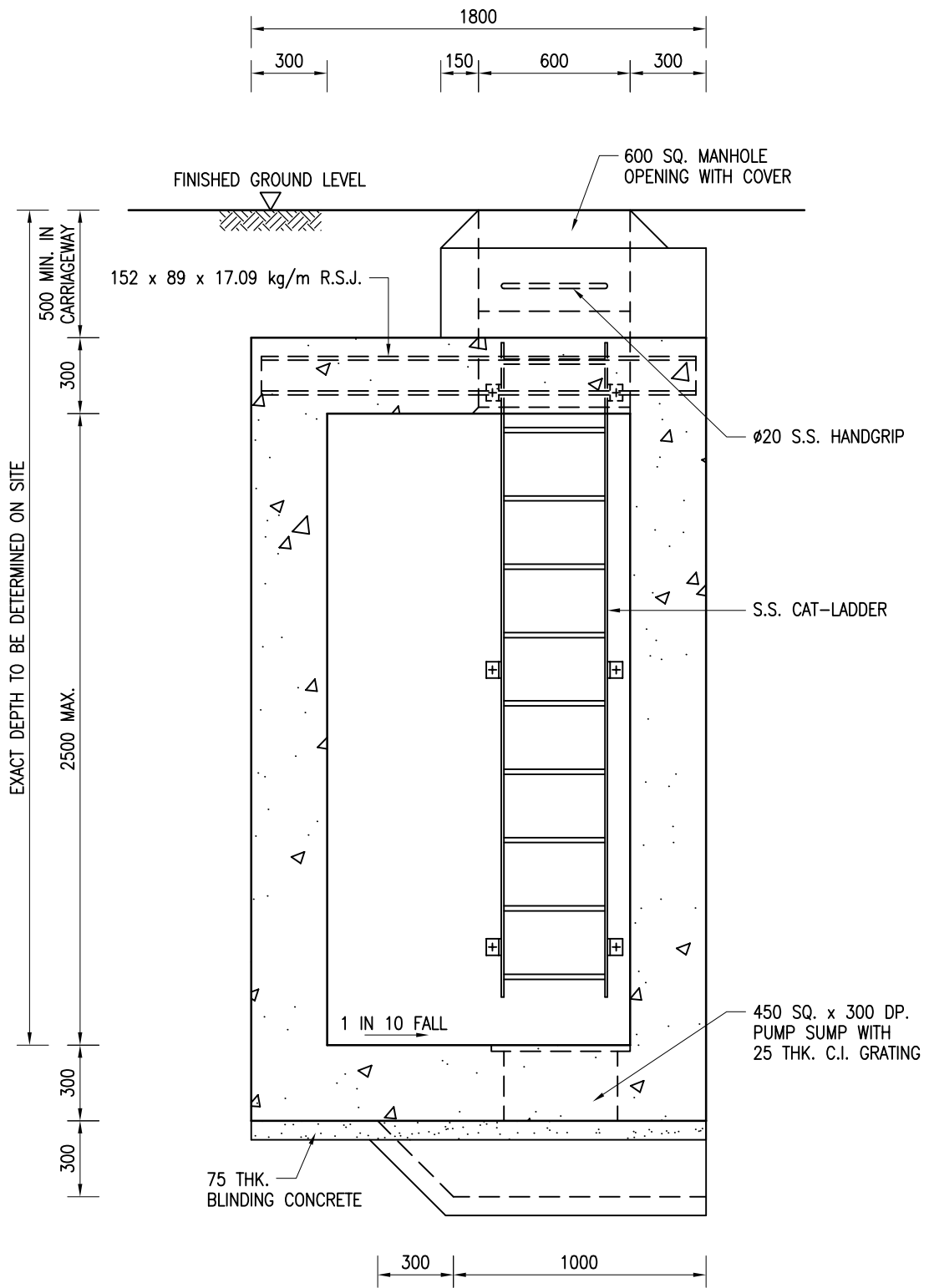
Cad Ref. : WSD011302-F.dwg

WASHOUT PUMP PIT -
GENERAL ARRANGEMENT

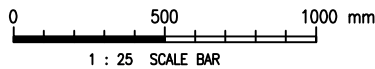


水務署
Water Supplies Department

APPROVED	G.C. LEE AD/NW	DRAWING NO.	CSWP
DATE	9/6/92	WSD 1.13F (SHEET 2 OF 4)	
SCALE	1 : 25		



SECTION B - B



Cad Ref. : WSD011303-F.dwg

WASHOUT PUMP PIT -
GENERAL ARRANGEMENT



水務署
Water Supplies Department

APPROVED

G.C. LEE
AD/NW

DATE

9/6/92

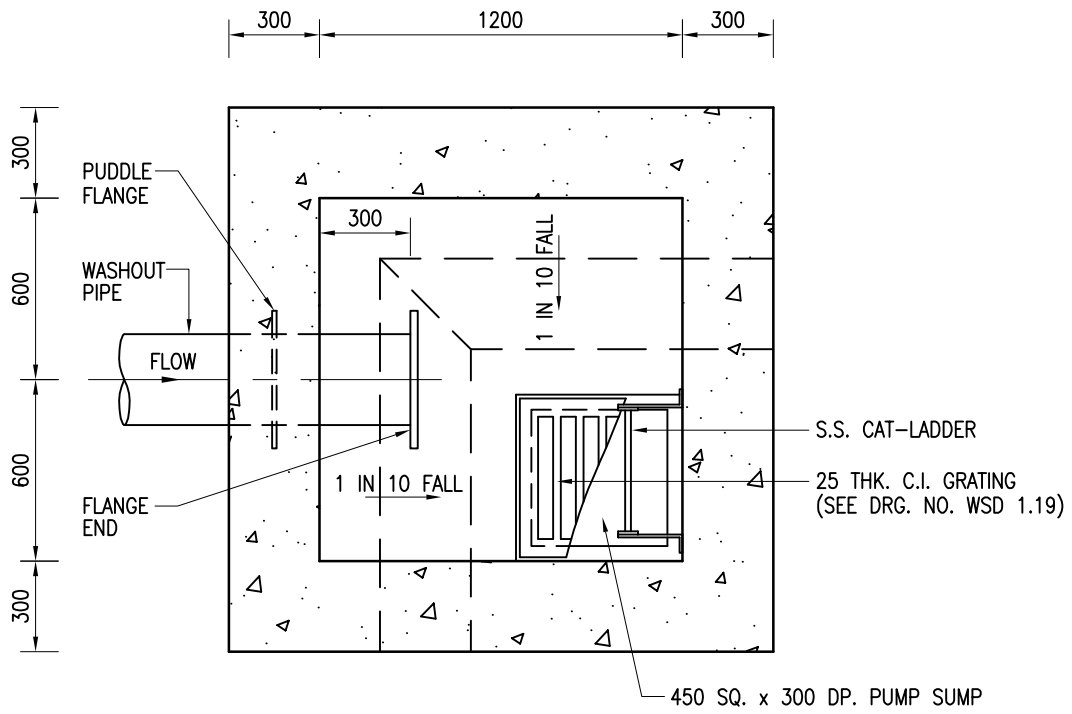
SCALE

1 : 25

DRAWING NO.

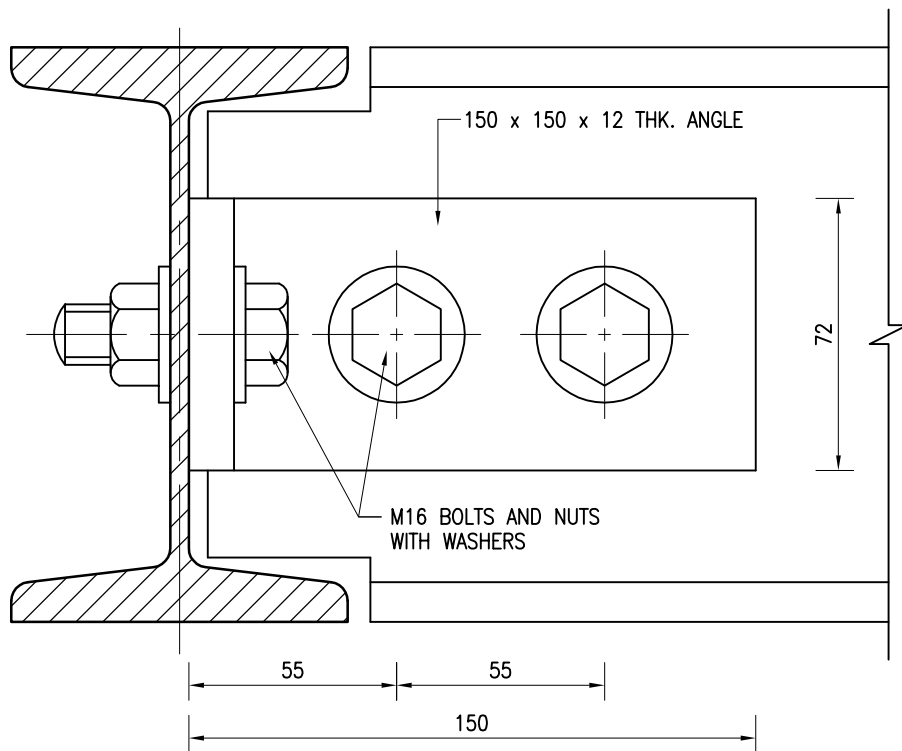
WSD 1.13F
(SHEET 3 OF 4)

CSWP



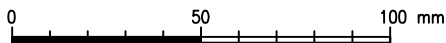
SECTIONAL PLAN

SCALE 1 : 25

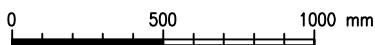


**CONNECTION DETAILS FOR 152 x 89 x 17.09 kg/m
ROLLED STEEL JOIST**

SCALE 1 : 2



1 : 2 SCALE BAR



1 : 25 SCALE BAR

Cad Ref. : WSD011304-F.dwg

WASHOUT PUMP PIT –
GENERAL ARRANGEMENT



水務署
Water Supplies Department

APPROVED

G.C. LEE
AD/NW

DATE

9/6/92

SCALE

1 : 25 OR AS SHOWN

DRAWING NO.

WSD 1.13F

(SHEET 4 OF 4)

CSWP