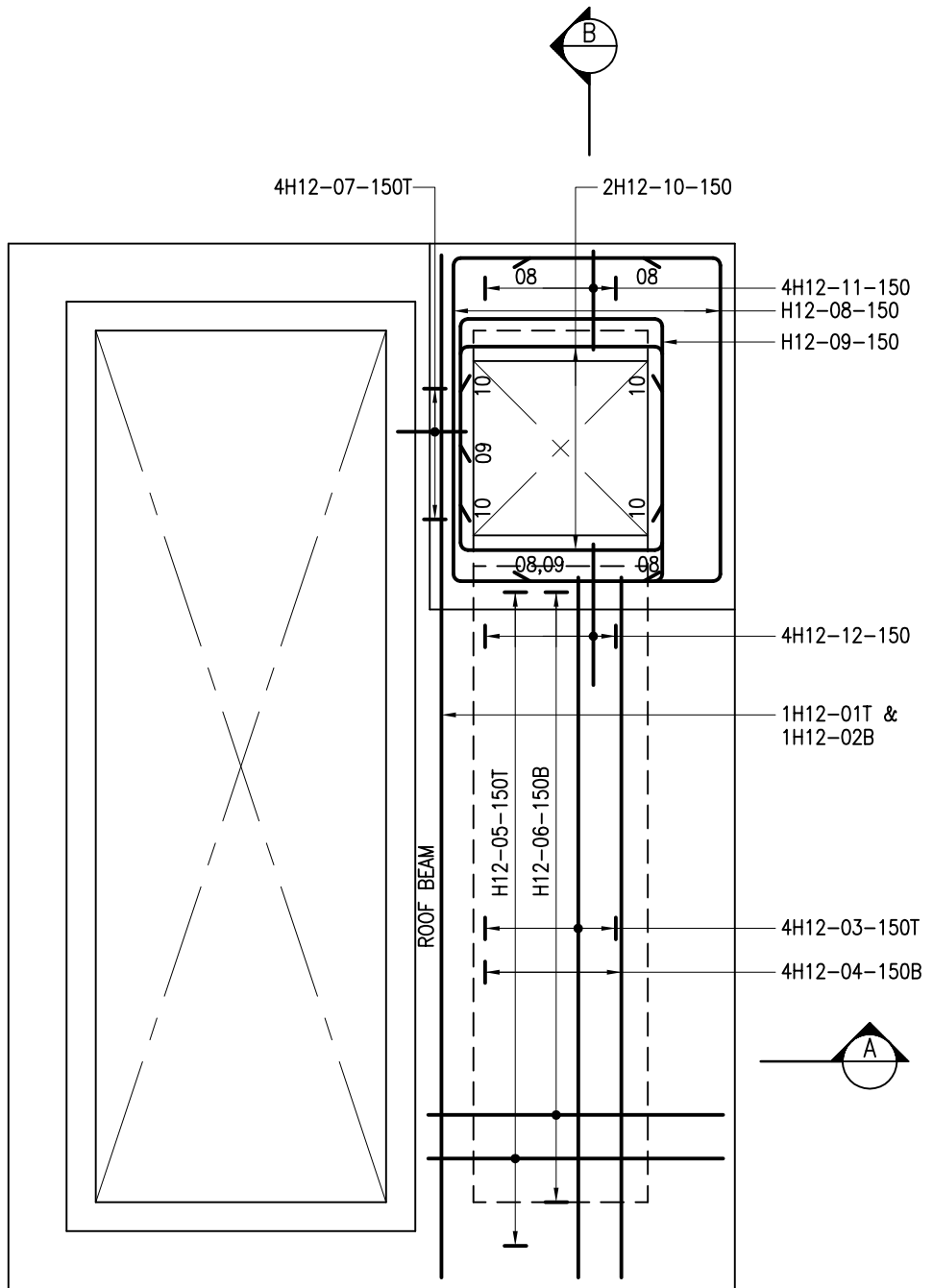
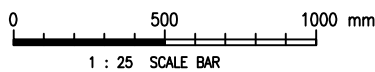


Cad Ref. : WSD011201-E.dwg



ROOF PLAN

E	GENERAL REVISION	S.K. YEUNG	2/1/15
D	MINOR REVISION	W.K. CHIU	18/7/07
C	RE-FORMATTED TO CSWP	W.K. CHIU	5/9/03
B	GENERAL REVISION	W.K. CHIU	20/9/00
A	ACCESS FOR PIPE INSPECTION IMPROVED	K.W. CHAN	18/7/97
REF.	REVISION	APPROVED	DATE

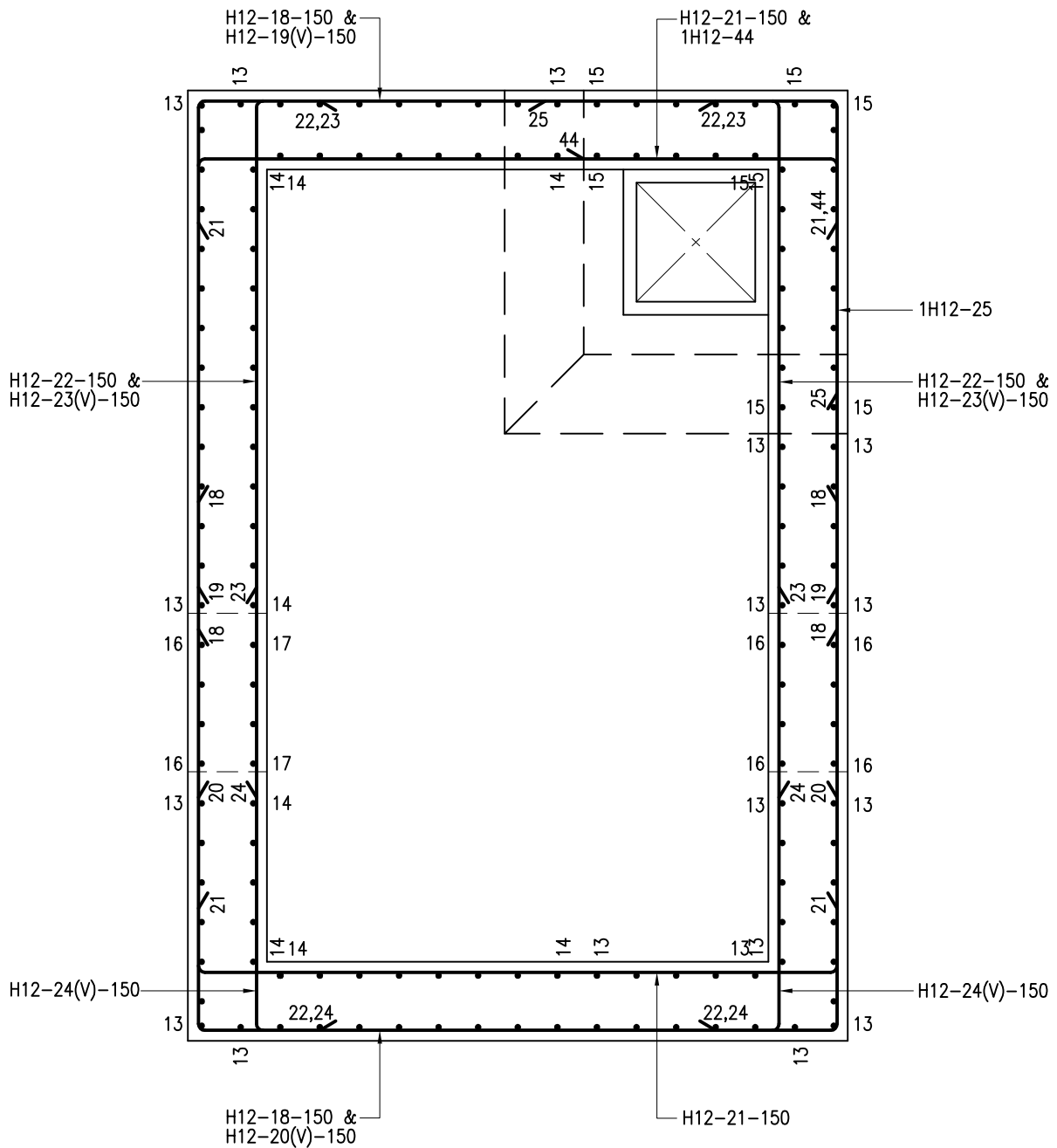
CHAMBER FOR HORIZONTAL GATE VALVE DN400 AND ABOVE – R.C. DETAILS



水務署
Water Supplies Department

APPROVED	G.C. LEE AD/NW	DRAWING NO.	CSWP
DATE	9/6/92	WSD 1.12E	(SHEET 1 OF 7)
SCALE	1 : 25		

Cad Ref. : WSD011202-E.dwg



SECTIONAL PLAN

CHAMBER FOR HORIZONTAL GATE
VALVE DN400 AND ABOVE —
R.C. DETAILS



水務署
Water Supplies Department

APPROVED

G.C. LEE
AD/NW

DATE

9/6/92

SCALE

1 : 25

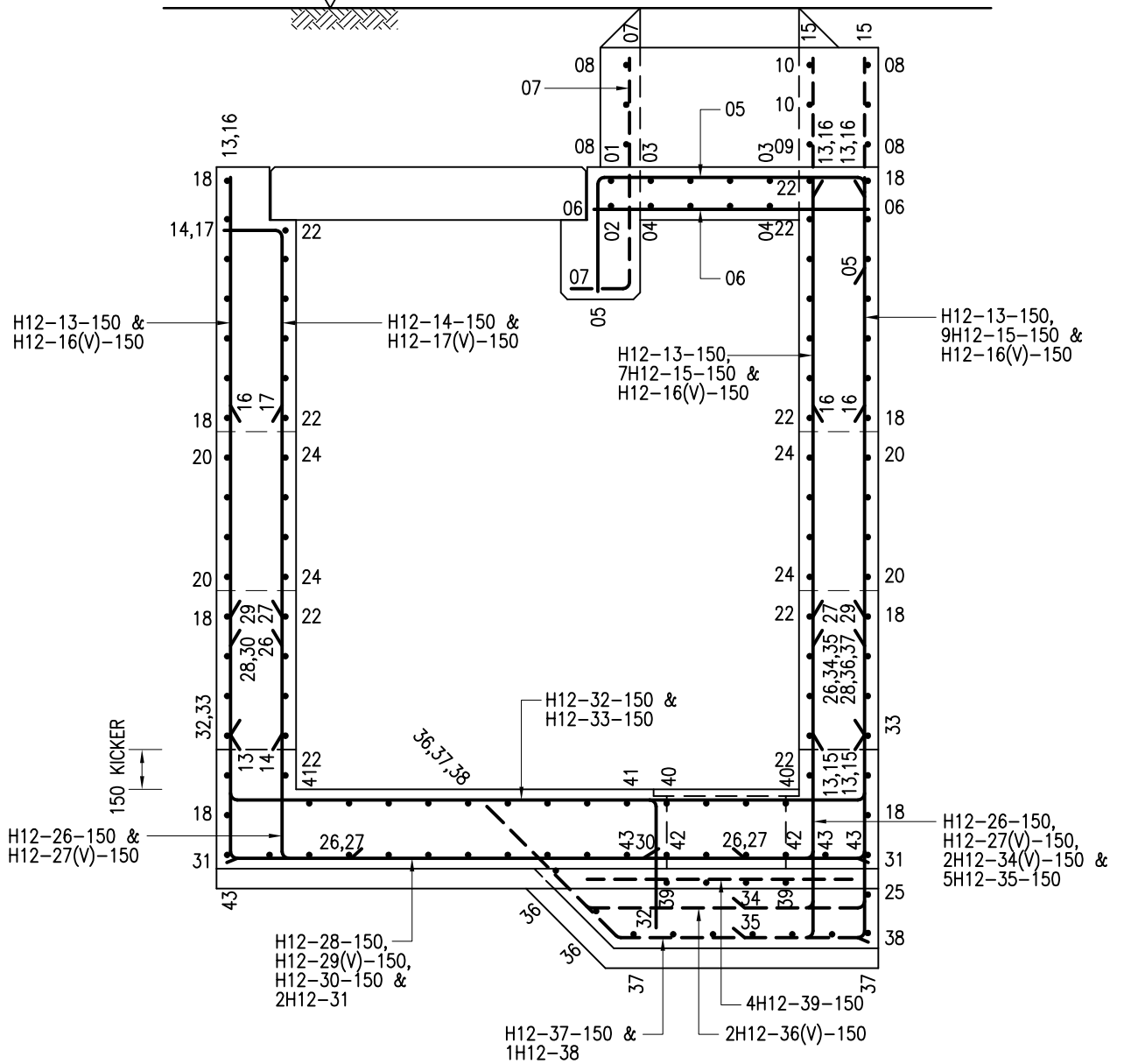
DRAWING NO.

WSD 1.12E

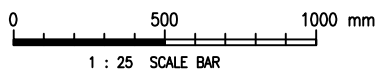
(SHEET 2 OF 7)

CSWP

FINISHED GROUND LEVEL



SECTION A - A



Cad Ref. : WSD011203-E.dwg

CHAMBER FOR HORIZONTAL GATE VALVE DN400 AND ABOVE - R.C. DETAILS



水務署
Water Supplies Department

APPROVED

G.C. LEE
AD/NW

DATE

9/6/92

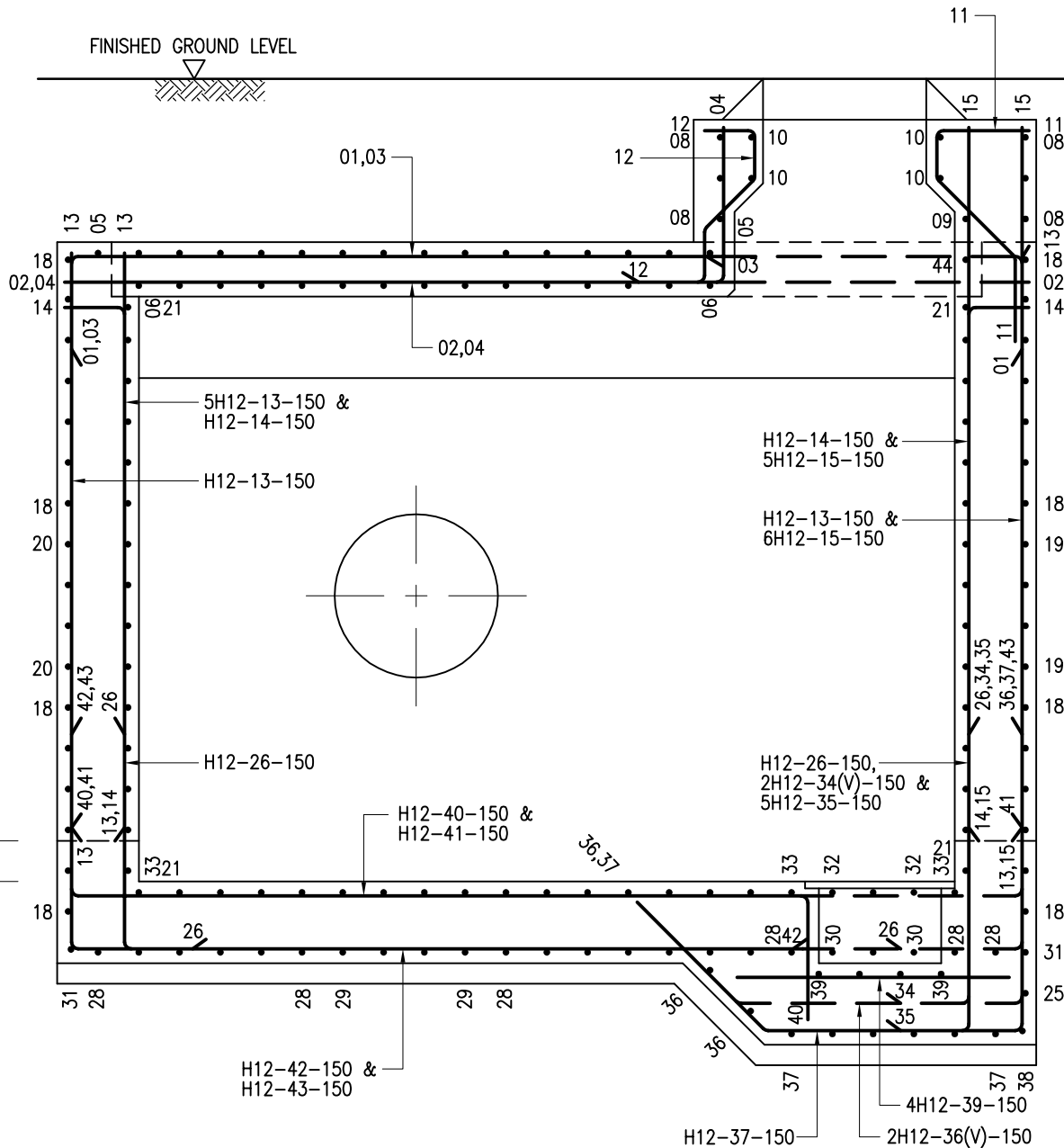
SCALE

1 : 25

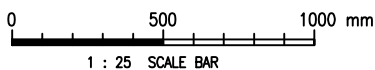
DRAWING NO.

WSD 1.12E
(SHEET 3 OF 7)

CSWP



SECTION B - B



Cad Ref. : WSD011204-E.dwg

CHAMBER FOR HORIZONTAL GATE
VALVE DN400 AND ABOVE -
R.C. DETAILS



水務署
Water Supplies Department

APPROVED

G.C. LEE
AD/NW

DATE

9/6/92

SCALE

1 : 25

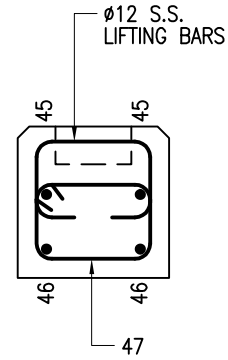
DRAWING NO.

WSD 1.12E

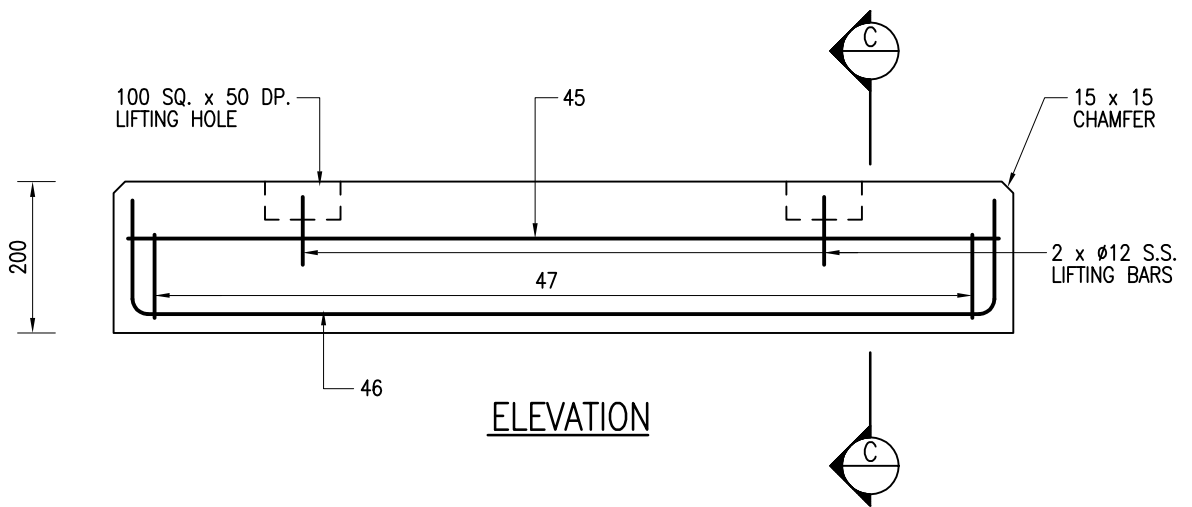
(SHEET 4 OF 7)

CSWP

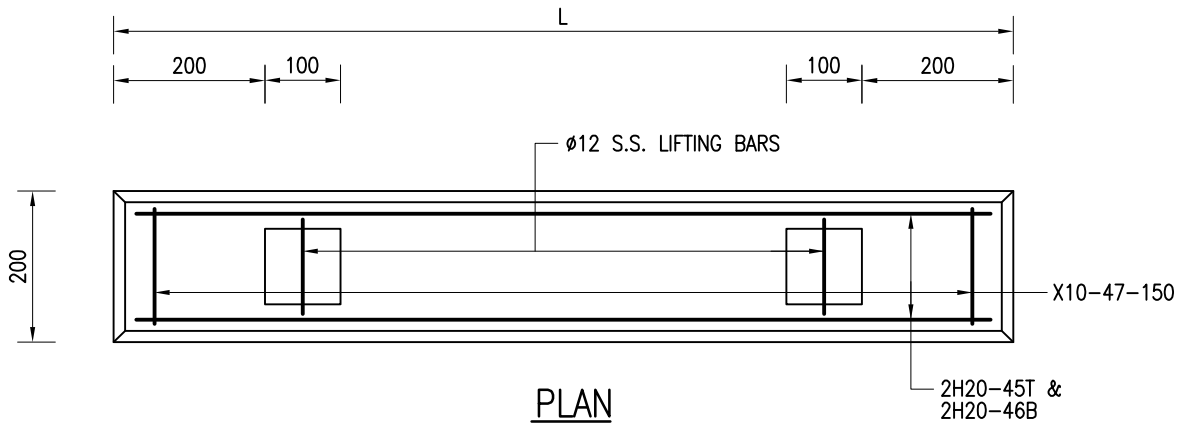
NOMINAL DIAMETER OF VALVE	LENGTH 'L'	WIDTH OF COVER TYPE II 'W'
400	1090	640
450	1090	740
600	1190	730
700	1490	720
800	1590	710
900	1690	700
1000	1890	690



SECTION C - C

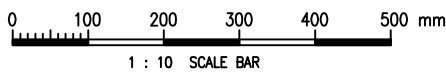


ELEVATION



PLAN

PRECAST CONCRETE COVER TYPE I



Cad Ref. : WSD011205-E.dwg

CHAMBER FOR HORIZONTAL GATE VALVE DN400 AND ABOVE - R.C. DETAILS



水務署
Water Supplies Department

APPROVED

G.C. LEE
AD/NW

DATE

9/6/92

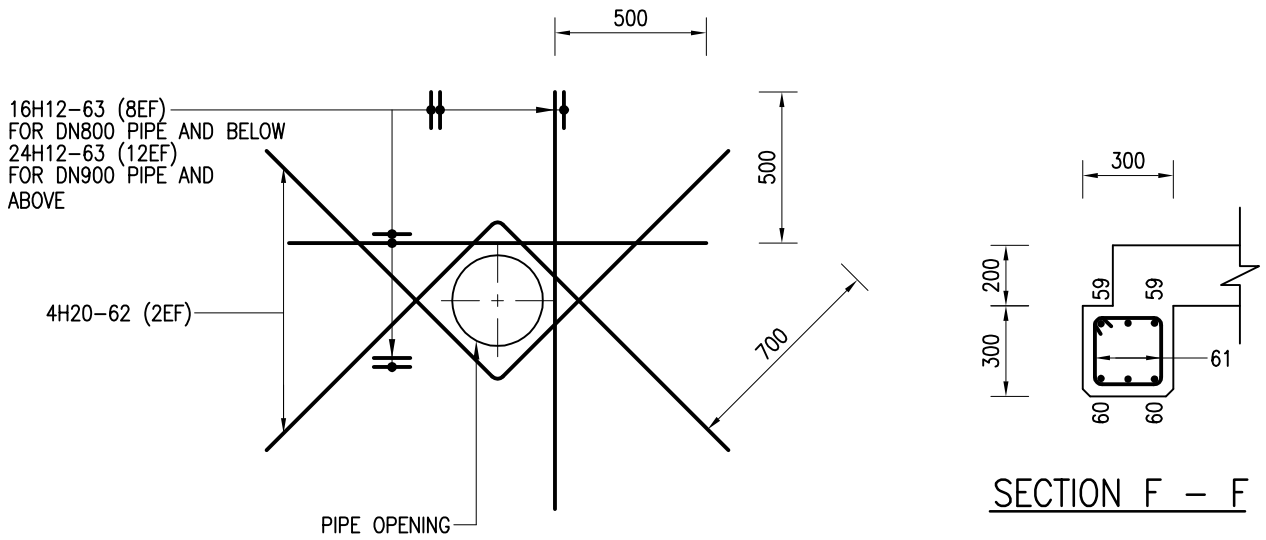
SCALE

1 : 10

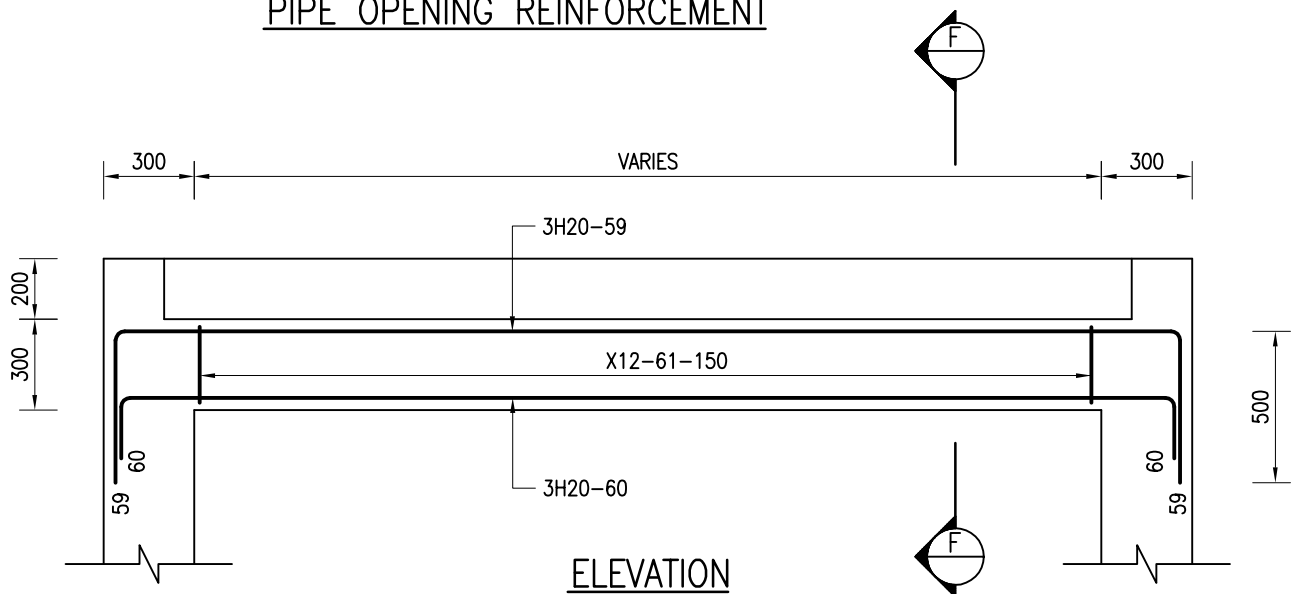
DRAWING NO.

WSD 1.12E
(SHEET 5 OF 7)

CSWP



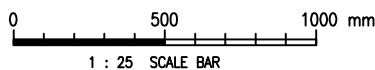
PIPE OPENING REINFORCEMENT



R.C. DETAILS OF ROOF BEAM

NOTES :

1. ALL DIMENSIONS ARE IN MILLIMETRES.
2. NOMINAL COVER TO REINFORCEMENT SHALL BE 40mm FOR CHAMBER AND 25mm FOR PRECAST CONCRETE COVER UNLESS OTHERWISE SPECIFIED.
3. ALL REINFORCED CONCRETE SHALL BE GRADE 35/20D. BLINDING CONCRETE SHALL BE GRADE 20/20D.
4. MINIMUM LAP LENGTH FOR RIBBED STEEL REINFORCING BARS SHALL BE 43 TIMES THE DIAMETER OF THE SMALLER LAPPED BAR UNLESS OTHERWISE SPECIFIED.
5. FOR DESCRIPTION OF REINFORCEMENT REFER TO DRAWING NO. WSD 7.1.



Cad Ref. : WSD011207-E.dwg

CHAMBER FOR HORIZONTAL GATE VALVE DN400 AND ABOVE – R.C. DETAILS



水務署
Water Supplies Department

APPROVED	G.C. LEE AD/NW	DRAWING NO.	WSD 1.12E (SHEET 7 OF 7)	CSWP
DATE	9/6/92			
SCALE	1 : 25			