

ROOF PLAN

| | | | |
|------|--|-----------|---------|
| E | DETAILS OF DN150 BY-PASS ADDED AND TITLE AMENDED | W.K. CHIU | 18/7/07 |
| D | RE-FORMATTED TO CSWP | W.K. CHIU | 5/9/03 |
| C | GENERAL REVISION | W.K. CHIU | 20/9/00 |
| B | ACCESS FOR PIPE INSPECTION IMPROVED | K.W. CHAN | 18/7/97 |
| A | C.I. COVER TO SPINDLE AMENDED | K.W. CHAN | 18/3/93 |
| REF. | REVISION | APPROVED | DATE |

0 500 1000 mm
1 : 25 SCALE BAR

CHAMBER FOR HORIZONTAL GATE VALVE DN400 AND ABOVE - GENERAL ARRANGEMENT (WITH BY-PASS PIPEWORK)



水務署
Water Supplies Department

APPROVED

G.C. LEE
AD/NW

DRAWING NO.

CSWP

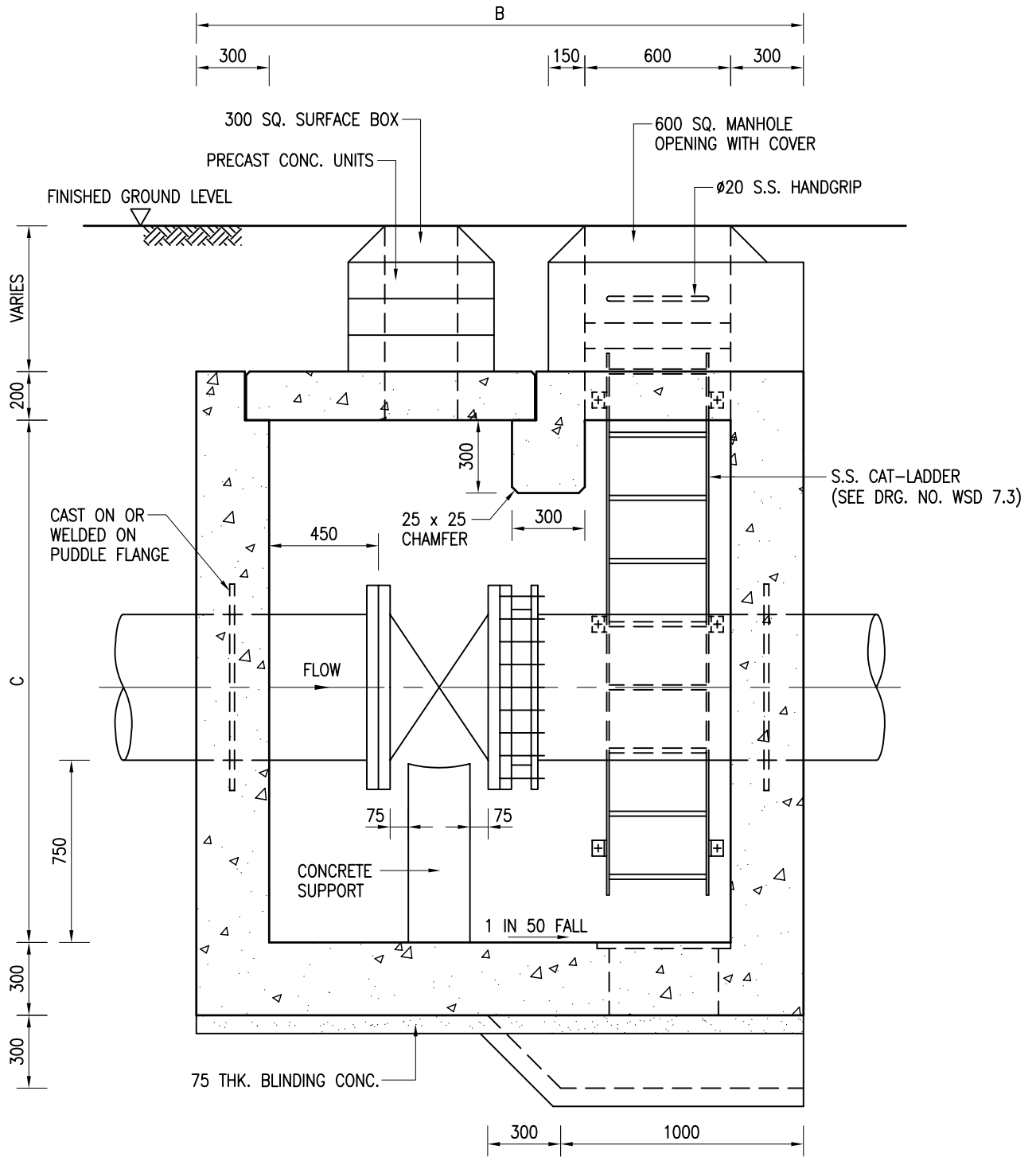
DATE

9/6/92

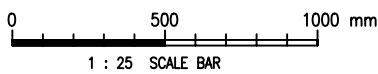
WSD 1.11E
(SHEET 1 OF 7)

SCALE

1 : 25



SECTION A - A



Cad Ref. : WSD011103-E.dwg

CHAMBER FOR HORIZONTAL GATE VALVE DN400 AND ABOVE - GENERAL ARRANGEMENT (WITH BY-PASS PIPEWORK)



水務署
Water Supplies Department

APPROVED

G.C. LEE
AD/NW

DRAWING NO.

CSWP

DATE

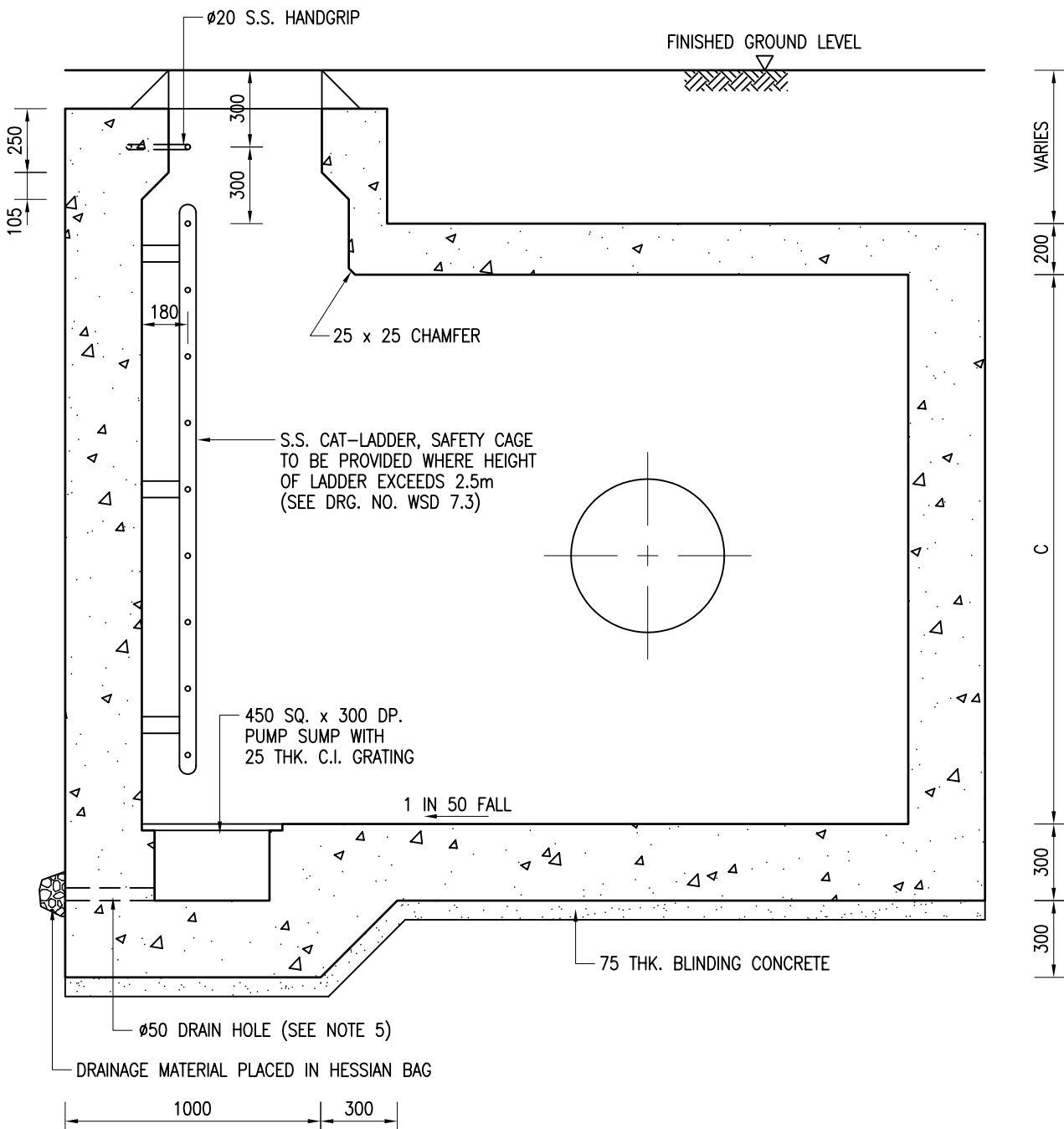
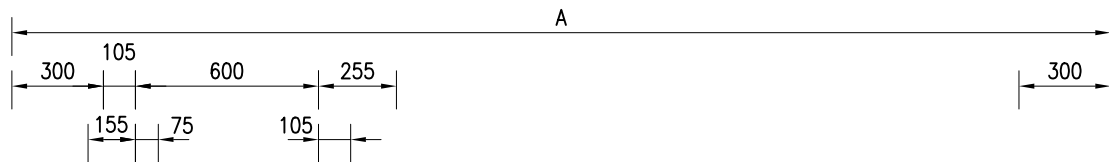
9/6/92

WSD 1.11E

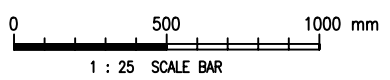
SCALE

1 : 25

(SHEET 3 OF 7)



SECTION B - B



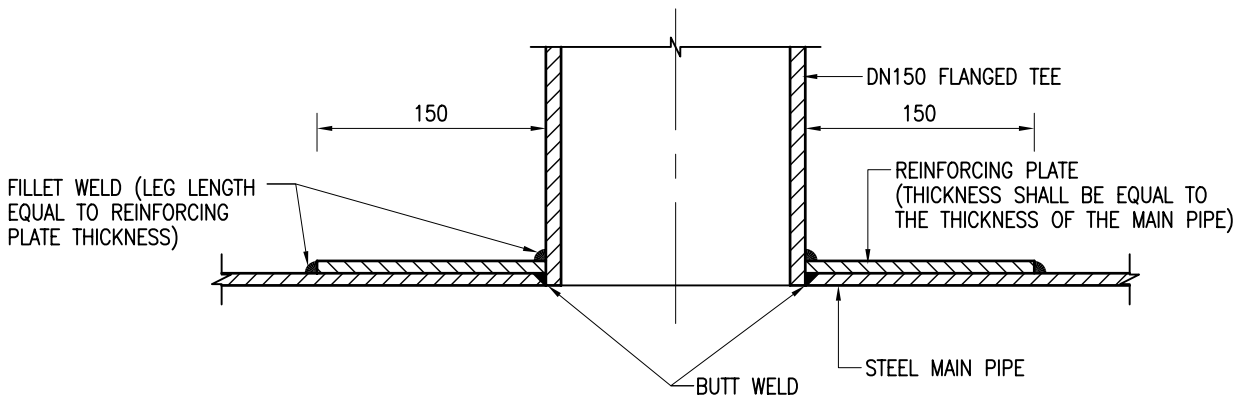
Cad Ref. : WSD01104-E.dwg

CHAMBER FOR HORIZONTAL GATE VALVE DN400 AND ABOVE - GENERAL ARRANGEMENT (WITH BY-PASS PIPEWORK)



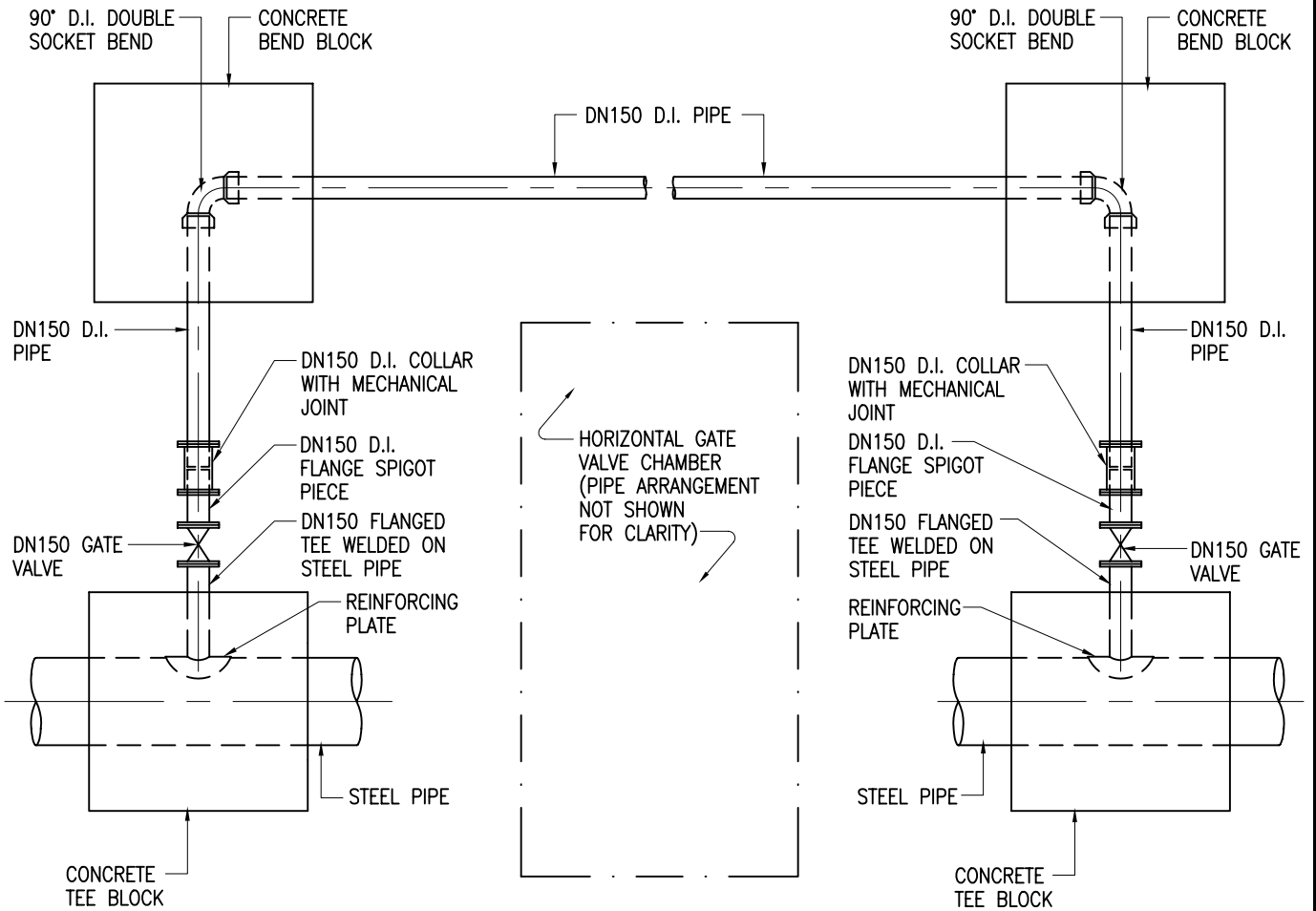
水務署
Water Supplies Department

| | | | |
|-----------------|-------------------|---|------|
| APPROVED | G.C. LEE AD/NW | DRAWING NO. WSD 1.11E (SHEET 4 OF 7) | CSWP |
| DATE | 9/6/92 | | |
| SCALE | 1 : 25 | | |

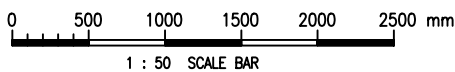


REINFORCING PLATE FOR CONCENTRIC 90° TEE

N.T.S.



DN150 BY-PASS ARRANGEMENT FOR GATE VALVE (DN600 AND ABOVE)



Cad Ref. : WSD011105-E.dwg

CHAMBER FOR HORIZONTAL GATE VALVE DN400 AND ABOVE – GENERAL ARRANGEMENT (WITH BY-PASS PIPEWORK)



水務署
Water Supplies Department

APPROVED

G.C. LEE
AD/NW

DATE

9/6/92

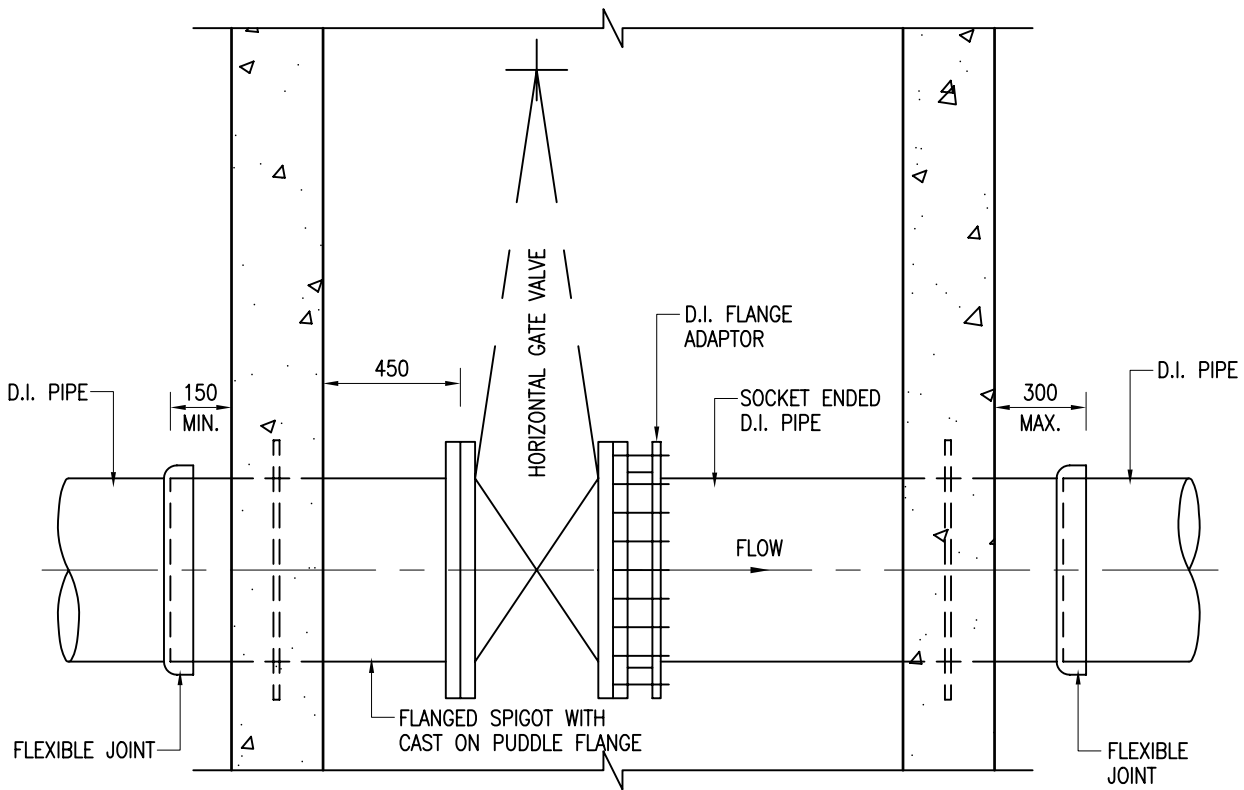
SCALE

1 : 50 OR AS SHOWN

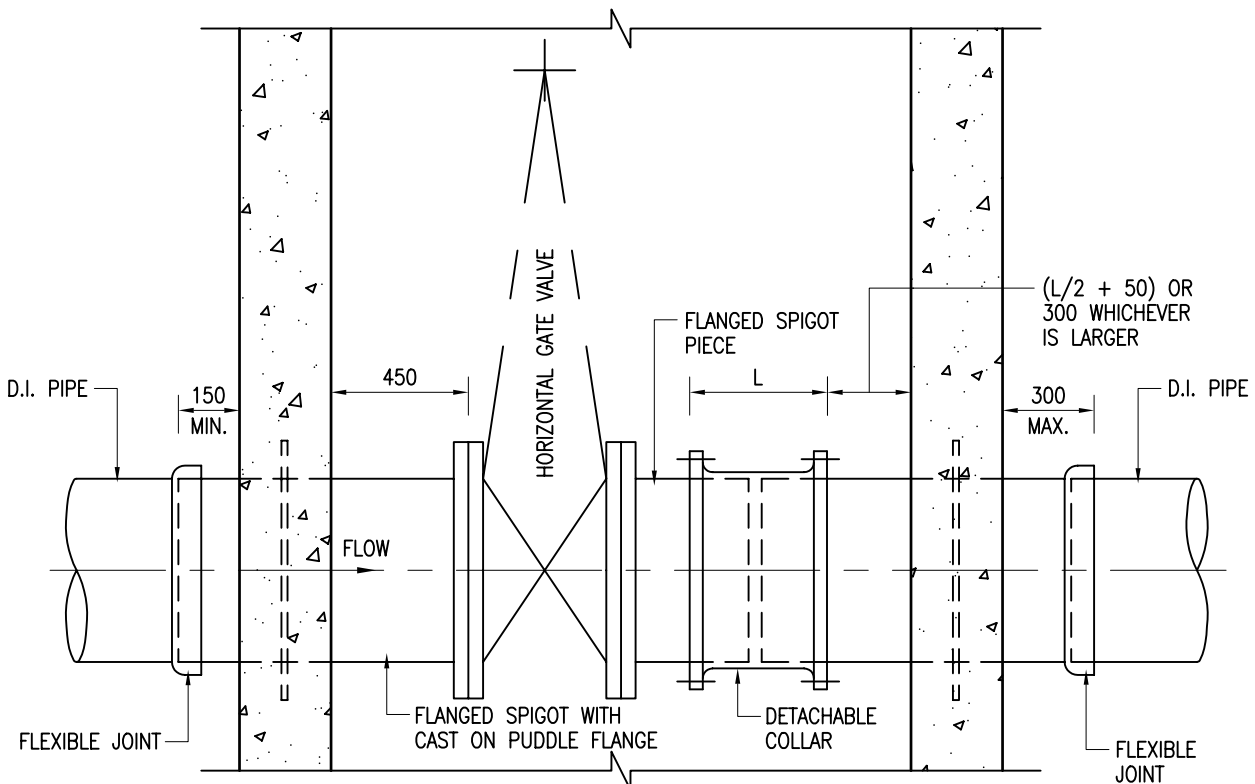
DRAWING NO.

WSD 1.11E
(SHEET 5 OF 7)

CSWP

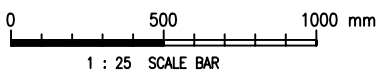


LAYOUT PLAN TYPE A (FOR NEW INSTALLATION)



LAYOUT PLAN TYPE B (FOR MAINTENANCE REFERENCE)

PIPEWORK DETAILS AT VALVE CHAMBER
(DUCTILE IRON PIPELINE)



Cad Ref. : WSD011106-E.dwg

CHAMBER FOR HORIZONTAL GATE
VALVE DN400 AND ABOVE –
GENERAL ARRANGEMENT
(WITH BY-PASS PIPEWORK)



水務署
Water Supplies Department

APPROVED

G.C. LEE
AD/NW

DATE

9/6/92

SCALE

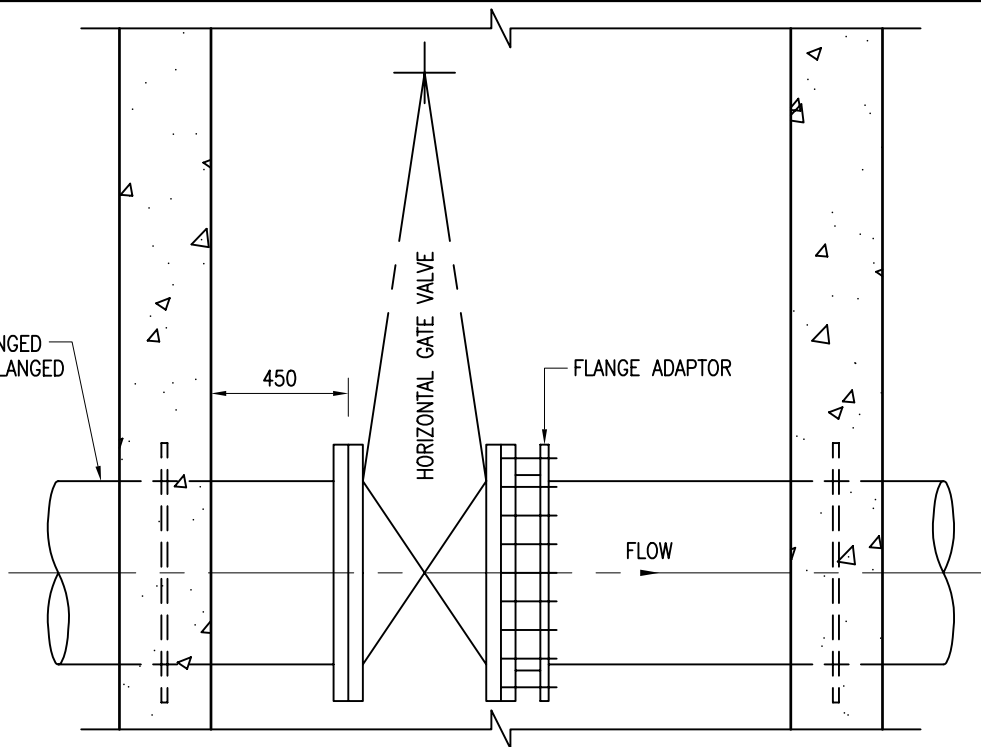
1 : 25

DRAWING NO.

WSD 1.11E
(SHEET 6 OF 7)

CSWP

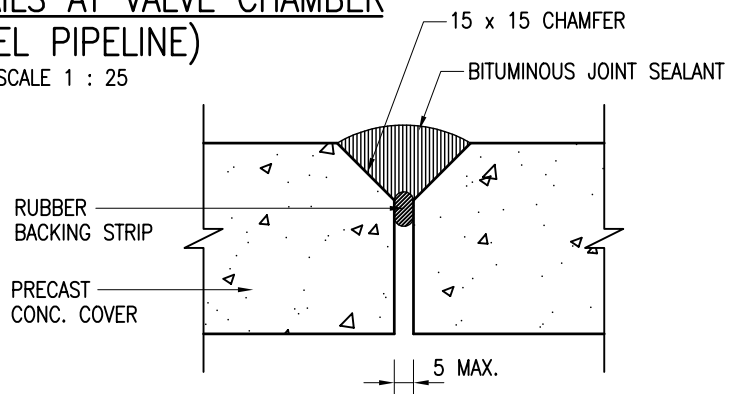
PUDDLE FLANGED
PIPE WITH FLANGED
ENDS



LAYOUT PLAN

PIPEWORK DETAILS AT VALVE CHAMBER
(STEEL PIPELINE)

SCALE 1 : 25

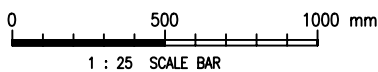


TYPICAL DETAILS OF JOINT SEALANT
FOR PRECAST CONCRETE COVERS

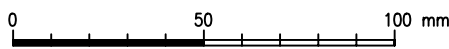
SCALE 1 : 2

NOTES :

1. ALL DIMENSIONS ARE IN MILLIMETRES.
2. ALL REINFORCED CONCRETE SHALL BE GRADE 35/20D. BLINDING CONCRETE SHALL BE GRADE 20/20D.
3. FOR DETAILS OF PRECAST CONCRETE UNITS REFER TO DRAWING NO. WSD 1.7.
4. DIMENSION X SHALL BE NORMALLY 600mm. THIS MAY BE REDUCED TO 450mm WHERE IN THE OPINION OF THE ENGINEER THERE IS INSUFFICIENT SPACE FOR A NORMAL SIZED CHAMBER.
5. DRAIN HOLE AND HESSIAN BAG SHALL BE INSTALLED WHEN THE ESTIMATED HIGHEST GROUND WATER LEVEL IS BELOW THE FORMATION LEVEL OF VALVE CHAMBER.
6. FOR COMBINED VALVES CHAMBER, MINIMUM CLEARANCE BETWEEN PIPES AND BETWEEN PIPE AND WALL SHALL BE 450mm AND 600mm RESPECTIVELY. DISTANCE SHOULD BE MEASURED FROM THE OUTER EDGES OF FITTING.



1 : 25 SCALE BAR



1 : 2 SCALE BAR

Cad Ref. : WSD011107-E.dwg

CHAMBER FOR HORIZONTAL GATE
VALVE DN400 AND ABOVE –
GENERAL ARRANGEMENT
(WITH BY-PASS PIPEWORK)



水務署
Water Supplies Department

APPROVED

G.C. LEE
AD/NW

DATE

9/6/92

SCALE

1 : 25 OR AS SHOWN

DRAWING NO.

WSD 1.11E
(SHEET 7 OF 7)

CSWP