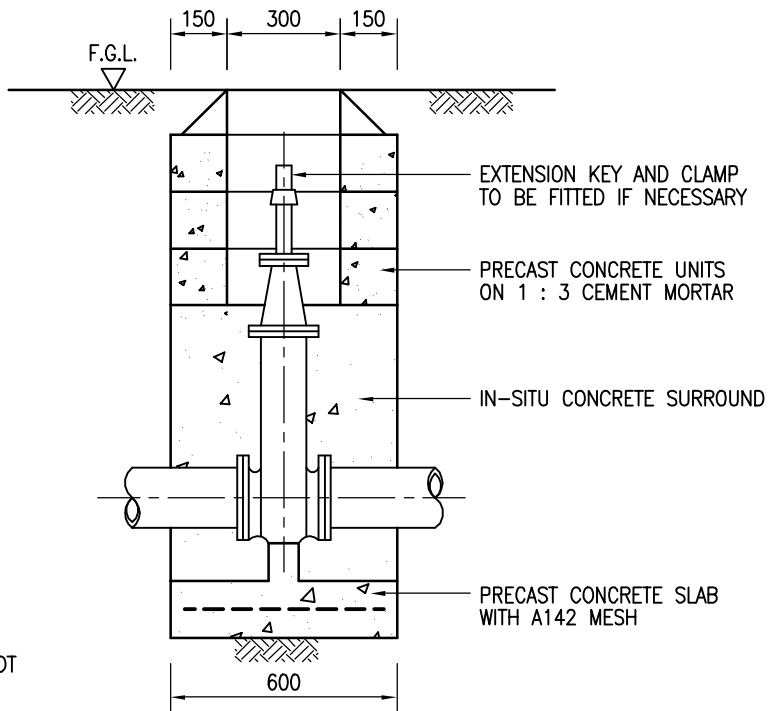


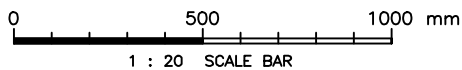
FRONT VIEW



SIDE VIEW

NOTES :

1. ALL DIMENSIONS ARE IN MILLIMETRES.
2. FOR INSTALLATION DETAILS OF SURFACE BOX REFER TO DRG. NO. WSD 1.24.
3. FOR DETAILS OF EXTENSION KEY REFER TO DRG. NO. WSD 7.7.
4. FOR FITTING DETAILS OF GATE VALVES NOT EXCEEDING DN300 REFER TO DRG. NO. WSD 1.18.
5. FOR DETAILS OF PRECAST CONCRETE UNITS REFER TO DRG. NO. WSD 1.7.
6. GRADE OF IN-SITU SURROUND AND PRECAST CONCRETE SLAB SHALL BE 30/20D.



D	RE-FORMATTED TO CSWP	W.K. CHIU	5/9/03
C	GENERAL REVISION	W.K. CHIU	20/9/00
B	REFERENCE TO C.I. SURFACE BOX DELETED	W.K. CHIU	14/9/99
A	GENERAL REVISION	K.W. CHAN	3/9/96
REF.	REVISION	APPROVED	DATE

Cad Ref. : WSD011001-D.dwg

CHAMBER FOR GATE VALVE
NOT EXCEEDING DN300



水務署
Water Supplies Department

APPROVED

G.C. LEE
AD/NW

DRAWING NO.

CSWP

DATE

9/6/92

WSD 1.10D

SCALE

1 : 20