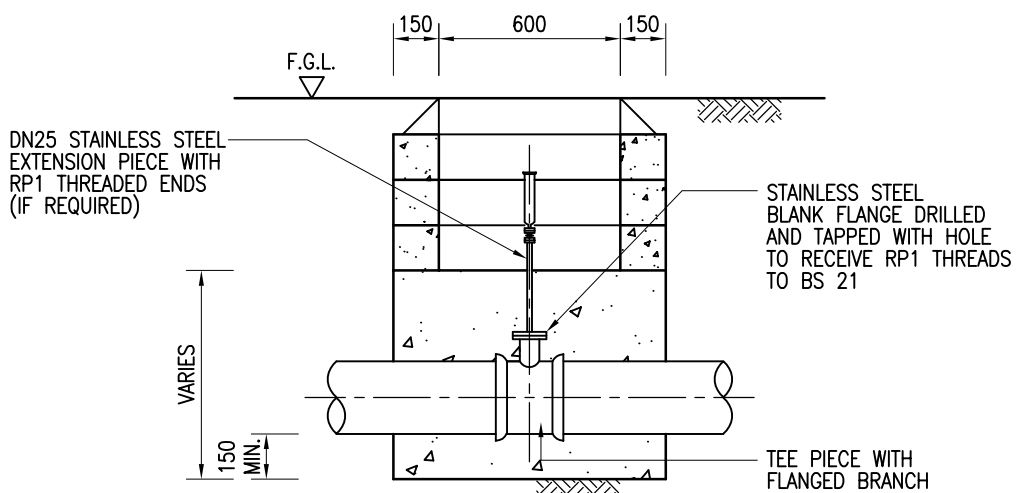
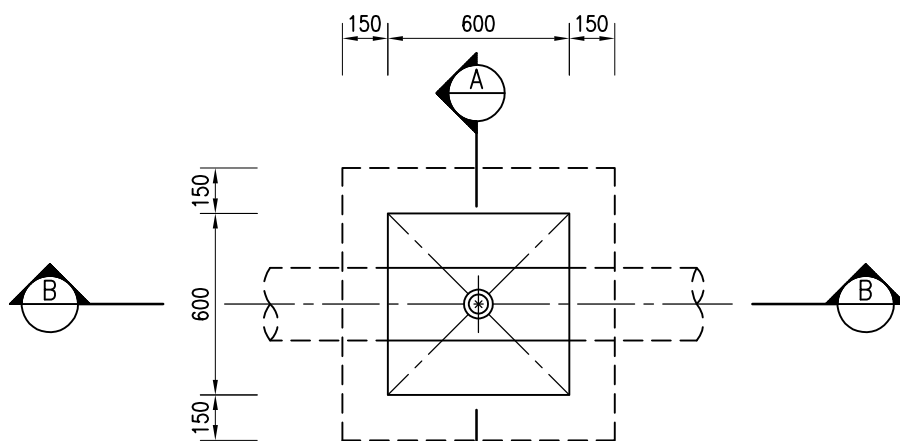


SECTION A - A



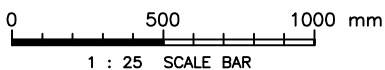
SECTION B - B



PLAN

NOTES :

1. ALL DIMENSIONS ARE IN MILLIMETRES.
2. GRADE OF IN-SITU CONCRETE SHALL BE 30/20D.
3. FOR DETAILS OF PRECAST CONCRETE UNITS REFER TO DRG. NO. WSD 1.7.
4. ALL STAINLESS STEEL FITTINGS SHALL BE IN GRADE 316.



E	GENERAL REVISION	K.H. HO	3/2/21
D	RE-FORMATTED TO CSWP	W.K. CHIU	5/9/03
C	GENERAL REVISION	W.K. CHIU	20/9/00
B	REFERENCE TO C.I. COVER DELETED	W.K. CHIU	14/9/99
A	GENERAL REVISION	K.W. CHAN	3/9/96
REF.	REVISION	APPROVED	DATE

Cad Ref. : WSD0108-E.dwg

SINGLE AIR VALVE CHAMBER



水務署
Water Supplies Department

APPROVED	G.C. LEE AD/NW	DRAWING NO. WSD 1.8E	CSWP
DATE	9/6/92		
SCALE	1 : 25		