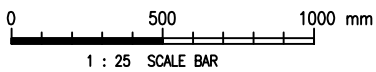


**ELEVATION**  
**PIER SUPPORTS FOR EXPOSED PIPES DN150 TO DN1600**  
**ACROSS STREAM COURSE OR VALLEY**  
 (SPACING OF PIER TO BE SPECIFIED ON CONTRACT DRAWINGS)

Cad Ref. : WSD010601-D.dwg



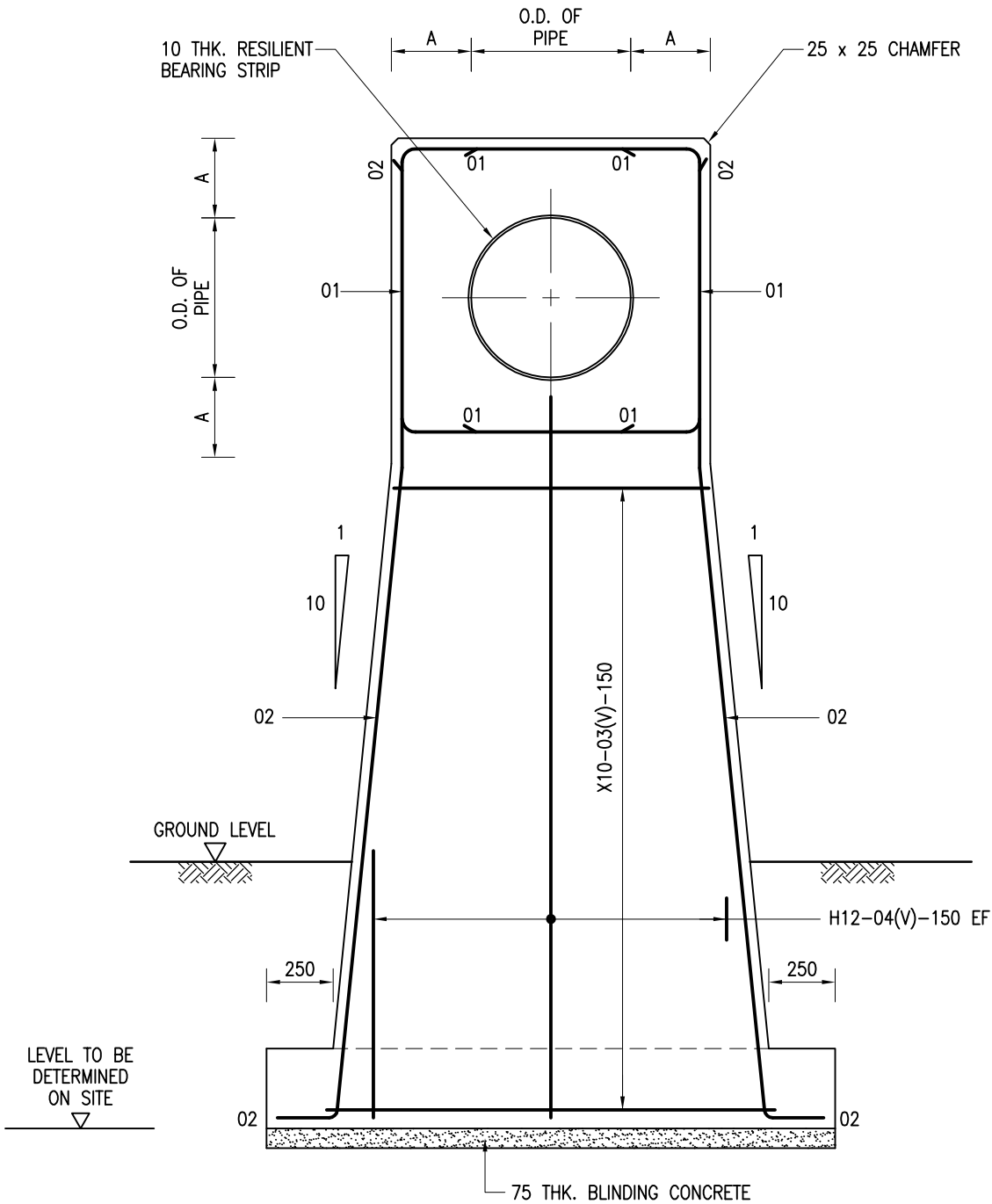
C	SHT. 8 & 9 DELETED (TRANSFERRED TO DRAWING WSD 3.15C SHT. 2 & 3) AND RE-FORMATTED TO CSWP	W.K. CHIU	5/9/03
B	GENERAL REVISION	W.K. CHIU	10/10/00
A	GENERAL REVISION	W.K. CHIU	16/12/99
D	GENERAL REVISION	S.K. YEUNG	2/1/15
REF.	REVISION	APPROVED	DATE

TYPICAL DETAILS OF SUPPORTS FOR EXPOSED PIPEWORKS (NOMINAL SIZE DN150 AND ABOVE)



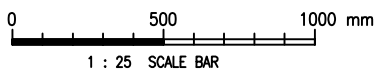
**水務署**  
**Water Supplies Department**

APPROVED	G.C. LEE AD/NW	DRAWING NO.	CSWP
DATE	9/6/92	WSD 1.6D	(SHEET 1 OF 7)
SCALE	1 : 25		



SECTION A - A

NOMINAL SIZE OF PIPE (DN)	A (mm)
150 - 500	200
600 & ABOVE	300



Cad Ref. : WSD010602-D.dwg

TYPICAL DETAILS OF SUPPORTS FOR EXPOSED PIPEWORKS (NOMINAL SIZE DN150 AND ABOVE)



水務署  
Water Supplies Department

APPROVED

G.C. LEE  
AD/NW

DATE

9/6/92

SCALE

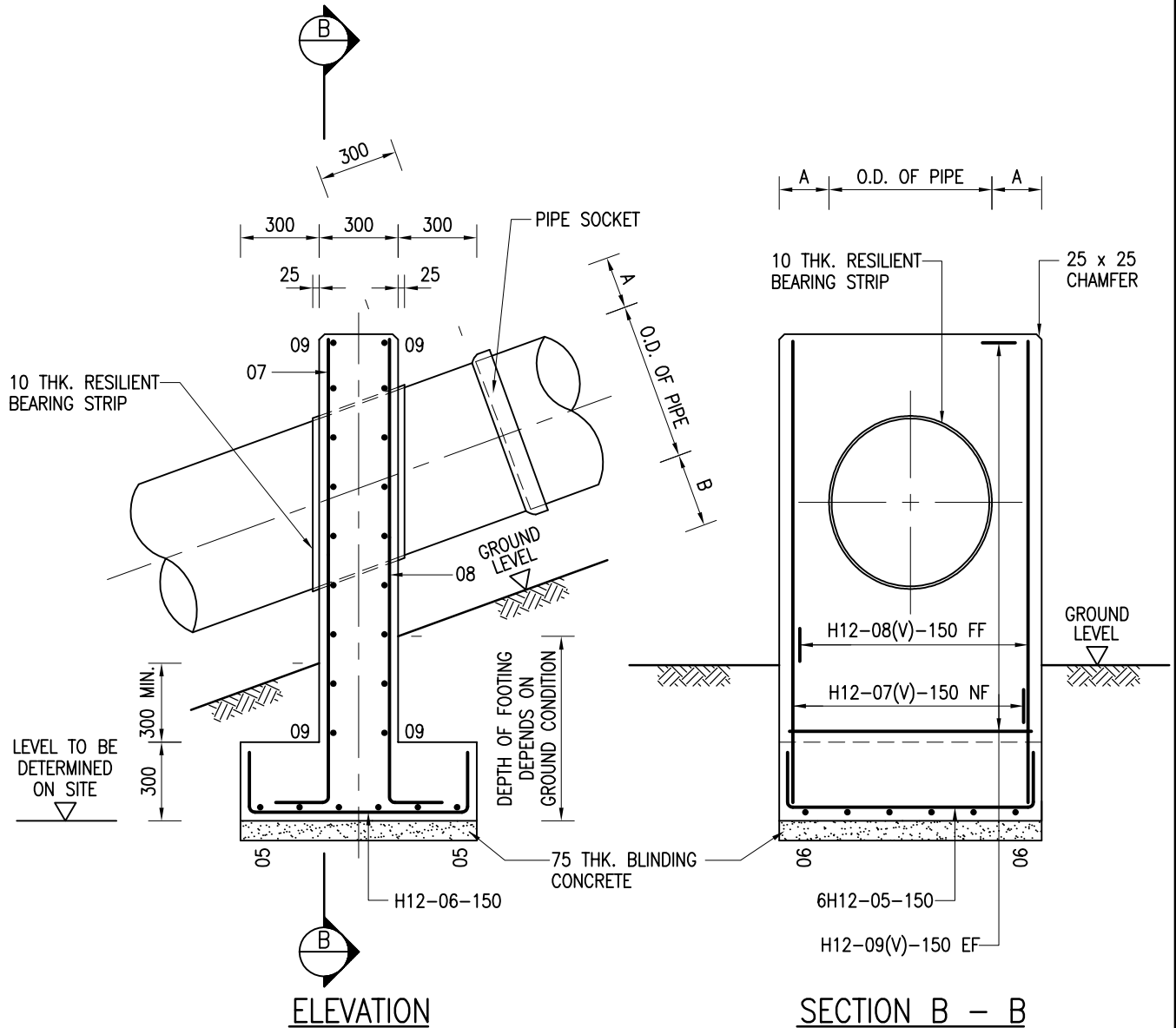
1 : 25

DRAWING NO.

WSD 1.6D

(SHEET 2 OF 7)

CSWP



ELEVATION

SECTION B - B

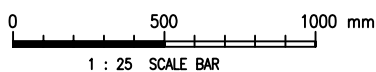
(FOR DIMENSION A REFER TO SHEET 2 OF 7)

TYPE A

CONCRETE SUPPORTS FOR EXPOSED PIPELINE ON STEEP GRADIENT

( FOR PIPELINES WITH FLEXIBLE JOINTS, ONE SUPPORT FOR EACH PIPE IS TO BE PROVIDED.  
FOR PIPELINES WITH RIGID JOINTS, SUPPORT SPACING IS TO BE SPECIFIED ON CONTRACT DRAWINGS.)

NOMINAL SIZE OF PIPE (DN)	B (mm)
150 - 500	200 MAX.
600 & ABOVE	300 MIN.



Cad Ref. : WSD010603-D.dwg

TYPICAL DETAILS OF SUPPORTS FOR  
EXPOSED PIPEWORKS  
(NOMINAL SIZE DN150 AND ABOVE)



水務署  
Water Supplies Department

APPROVED

G.C. LEE  
AD/NW

DATE

9/6/92

SCALE

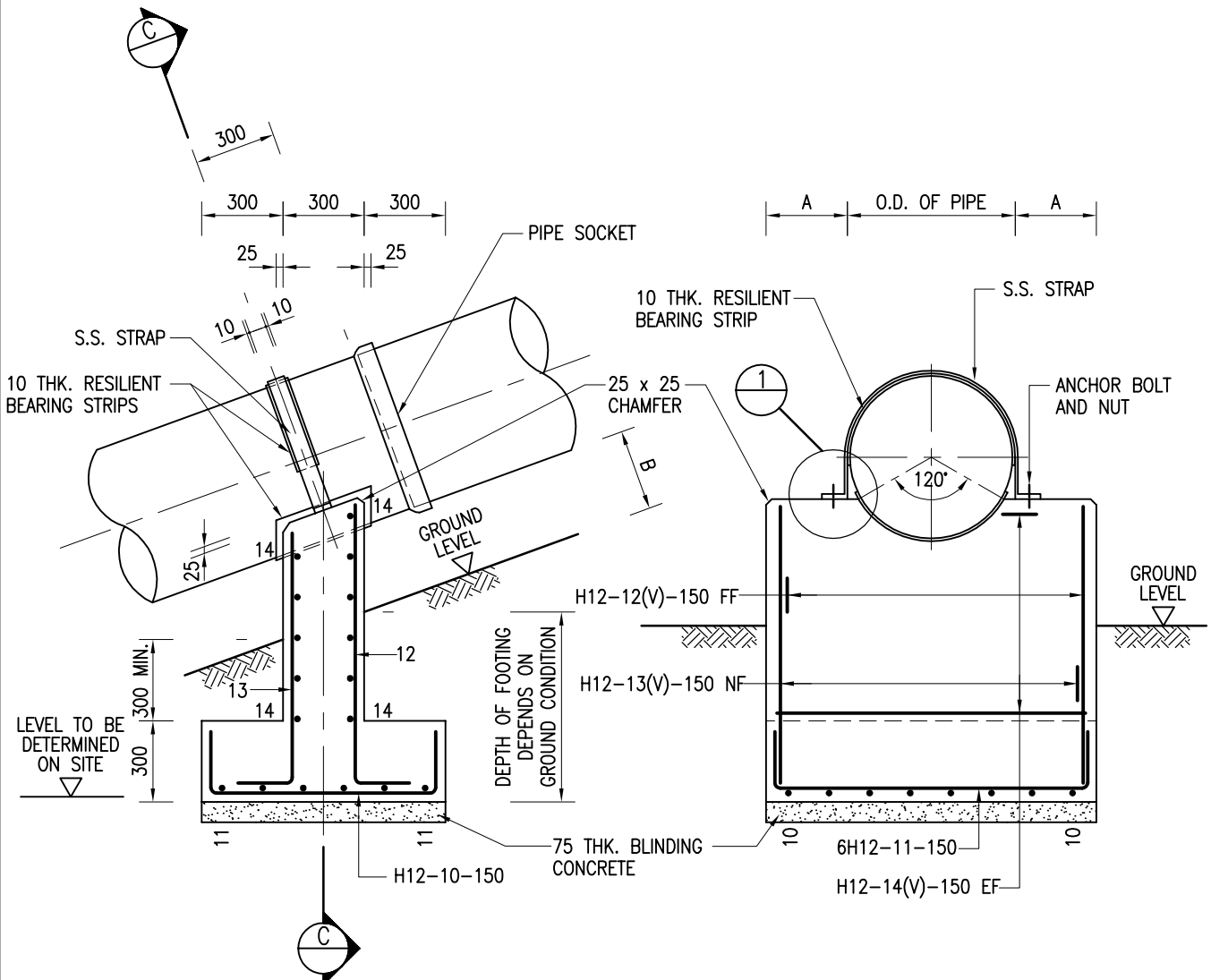
1 : 25

DRAWING NO.

WSD 1.6D

(SHEET 3 OF 7)

CSWP



**ELEVATION**

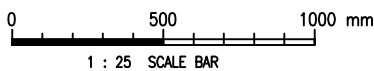
(FOR DIMENSION B REFER TO SHEET 3 OF 7)

**SECTION C - C**

(FOR DIMENSION A REFER TO SHEET 2 OF 7)

**TYPE B**  
**CONCRETE SUPPORTS FOR EXPOSED PIPELINE ON STEEP GRADIENT**

( FOR PIPELINES WITH FLEXIBLE JOINTS, ONE SUPPORT FOR EACH PIPE IS TO BE PROVIDED.  
 FOR PIPELINES WITH RIGID JOINTS, SUPPORT SPACING IS TO BE SPECIFIED ON CONTRACT DRAWINGS.)



Cad Ref. : WSD010604-D.dwg



**水務署**  
**Water Supplies Department**

TYPICAL DETAILS OF SUPPORTS FOR  
 EXPOSED PIPEWORKS  
 (NOMINAL SIZE DN150 AND ABOVE)

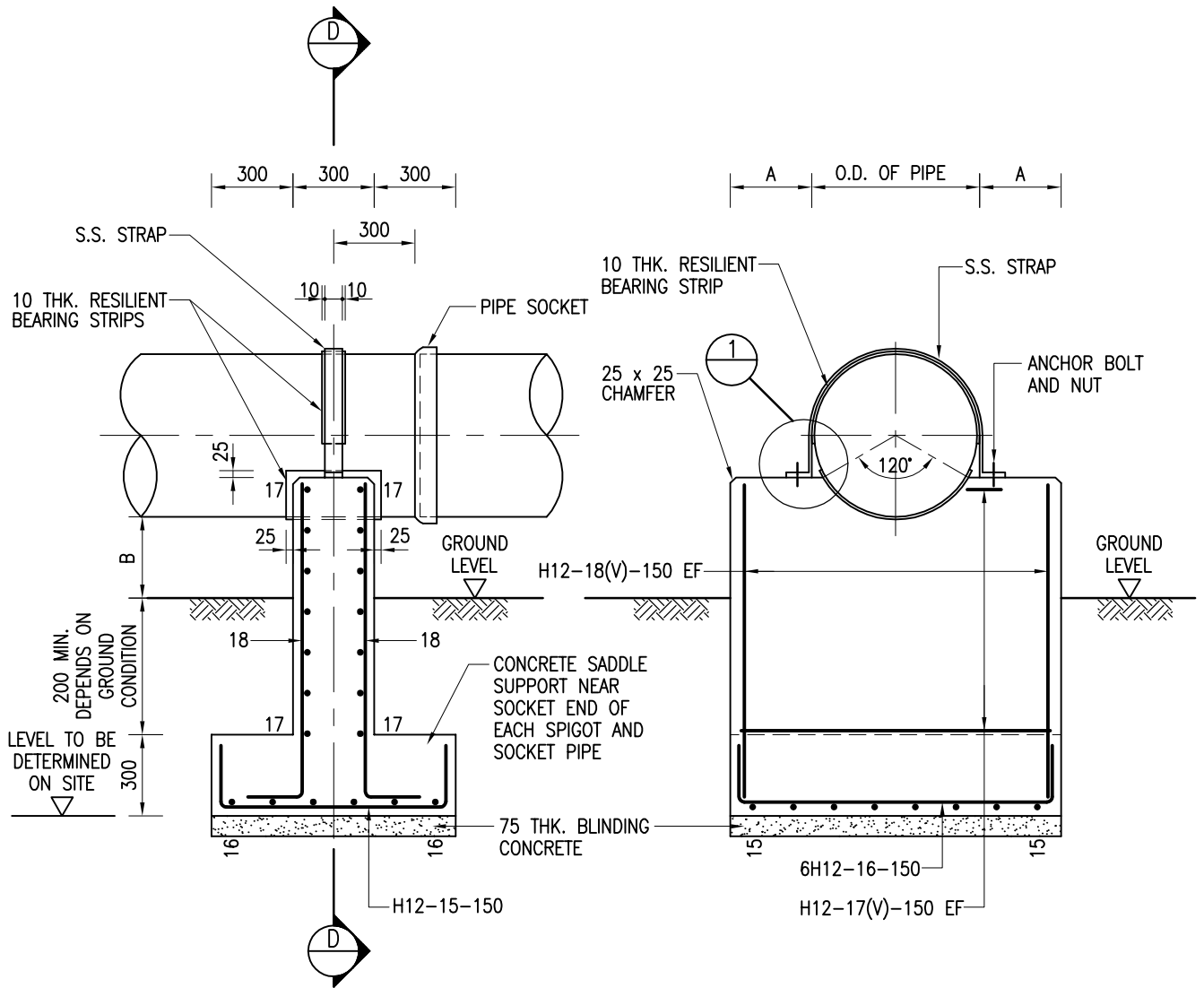
APPROVED  
 DATE  
 SCALE

G.C. LEE  
 AD/NW  
 9/6/92  
 1 : 25

DRAWING NO.

WSD 1.6D  
 (SHEET 4 OF 7)

CSWP



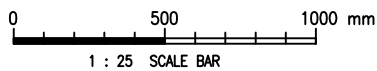
**ELEVATION**

(FOR DIMENSION B REFER TO SHEET 3 OF 7)

**SECTION D - D**

(FOR DIMENSION A REFER TO SHEET 2 OF 7)

**CONCRETE SADDLE SUPPORT FOR EXPOSED PIPELINE (DN150 TO DN1600)**



Cad Ref. : WSD010605-D.dwg

TYPICAL DETAILS OF SUPPORTS FOR EXPOSED PIPEWORKS (NOMINAL SIZE DN150 AND ABOVE)



水務署  
Water Supplies Department

APPROVED

G.C. LEE  
AD/NW

DATE

9/6/92

SCALE

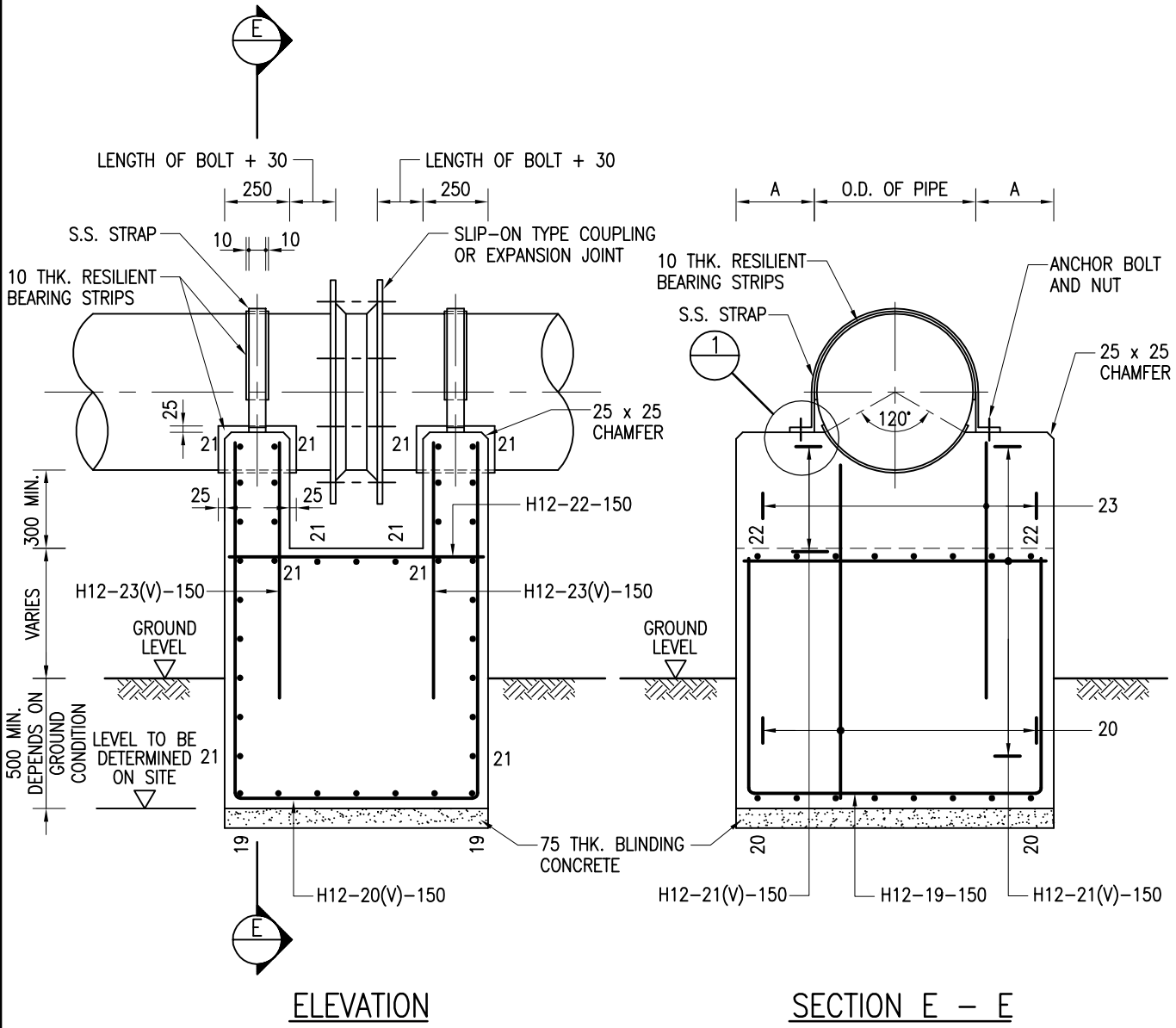
1 : 25

DRAWING NO.

WSD 1.6D

(SHEET 5 OF 7)

CSWP

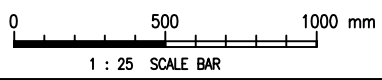


ELEVATION

SECTION E - E

(FOR DIMENSION A REFER TO SHEET 2 OF 7)

CONCRETE SADDLE SUPPORT AT SLIP-ON TYPE COUPLING OR EXPANSION JOINT IN EXPOSED PIPELINE WITH RIGID JOINTS (DN150 TO DN1600)



Cad Ref. : WSD010606-D.dwg

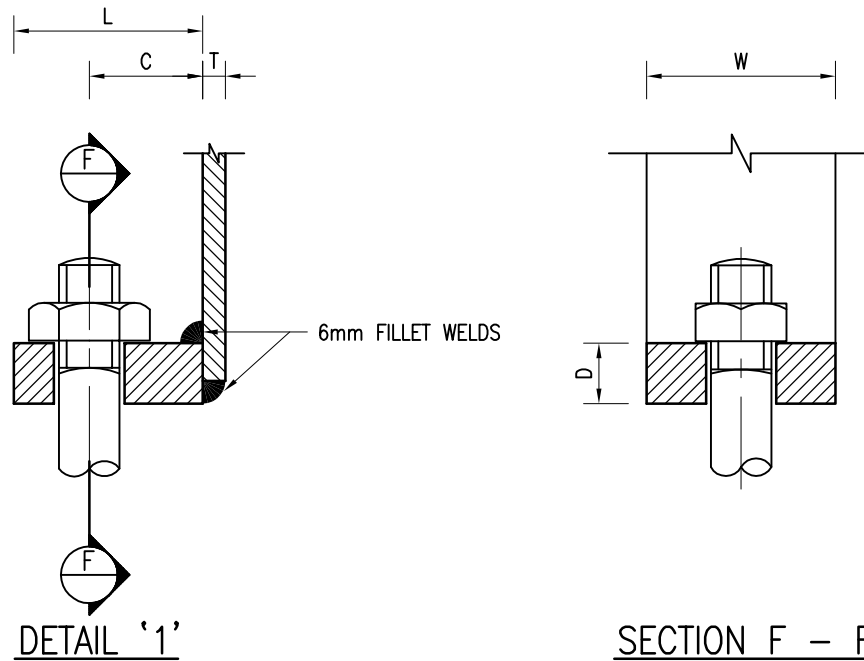
TYPICAL DETAILS OF SUPPORTS FOR EXPOSED PIPEWORKS (NOMINAL SIZE DN150 AND ABOVE)



**水務署**  
**Water Supplies Department**

APPROVED	G.C. LEE AD/NW	DRAWING NO.	CSWP WSD 1.6D (SHEET 6 OF 7)
DATE	9/6/92		
SCALE	1 : 25		

NOMINAL SIZE OF PIPE (DN)	T	W	D	L	C	SIZE OF ANCHOR BOLT
150	6	40	13	45	25	M12
200 - 300	6	50	16	50	30	M16
350 - 600	10	65	19	65	35	M20
700 - 1100	10	90	25	75	42	M24
1200 - 1600	10	100	32	85	48	M30



FIXING DETAILS OF S.S. STRAP

NOTES :

1. ALL DIMENSIONS ARE IN MILLIMETRES.
2. CONCRETE FOR SUPPORTS SHALL BE GRADE 35/20D AND BLINDING CONCRETE SHALL BE GRADE 20/20D.
3. THE DIMENSIONS OF FOUNDATION FOR PIER SUPPORT ARE BASED ON AN ALLOWABLE BEARING STRESS OF NOT EXCEEDING 150 kPa, THE ADOPTION OF WHICH SHALL BE CONFIRMED BY SITE INVESTIGATION.

Cad Ref. : WSD010607-D.dwg

TYPICAL DETAILS OF SUPPORTS FOR EXPOSED PIPEWORKS (NOMINAL SIZE DN150 AND ABOVE)



水務署  
Water Supplies Department

APPROVED

G.C. LEE  
AD/NW

DATE

9/6/92

SCALE

NOT APPLICABLE

DRAWING NO.

WSD 1.6D

(SHEET 7 OF 7)

CSWP