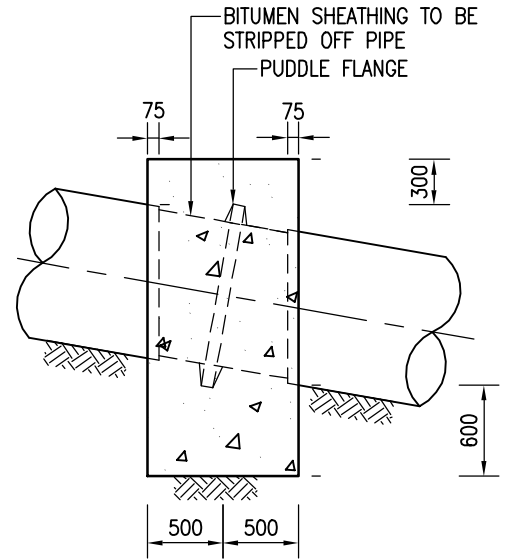
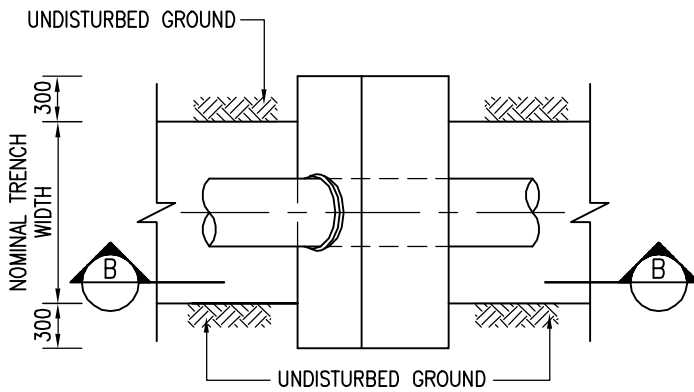


PLAN

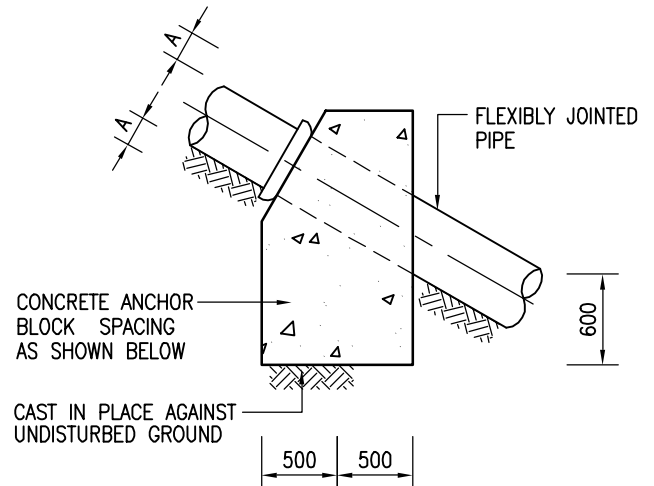


SECTION A - A

PUDDLE FLANGED PIPE



PLAN



SECTION B - B

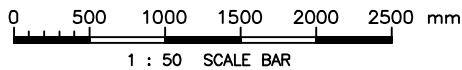
FLEXIBLY JOINTED PIPE

NOMINAL SIZE OF PIPE (DN)	A (mm)
150 - 500	200
600 AND ABOVE	300

GRADIENT	SPACING OF ANCHOR BLOCKS
1 IN 2	5.5m
1 IN 3	11.0m
1 IN 4	11.0m
1 IN 5	16.5m
1 IN 6	22.0m

NOTES :

- ALL DIMENSIONS ARE IN MILLIMETRES.
- CONCRETE GRADE FOR ANCHOR BLOCKS SHALL BE 20/20D.



C	GENERAL REVISION AND RE-FORMATTED TO CSWP	W.K. CHIU	5/9/03
B	GENERAL REVISION	W.K. CHIU	10/10/00
A	GENERAL REVISION	W.K. CHIU	16/12/99
REF.	REVISION	APPROVED	DATE

Cad Ref. : WSD010501-C.dwg

TYPICAL DETAILS OF ANCHOR BLOCK FOR BURIED PIPES LAID ON SLOPE (NOMINAL SIZE DN150 AND ABOVE)



水務署
Water Supplies Department

APPROVED	G.C. LEE AD/NW	DRAWING NO. WSD 1.5C	CSWP
DATE	9/6/92		
SCALE	1 : 50		