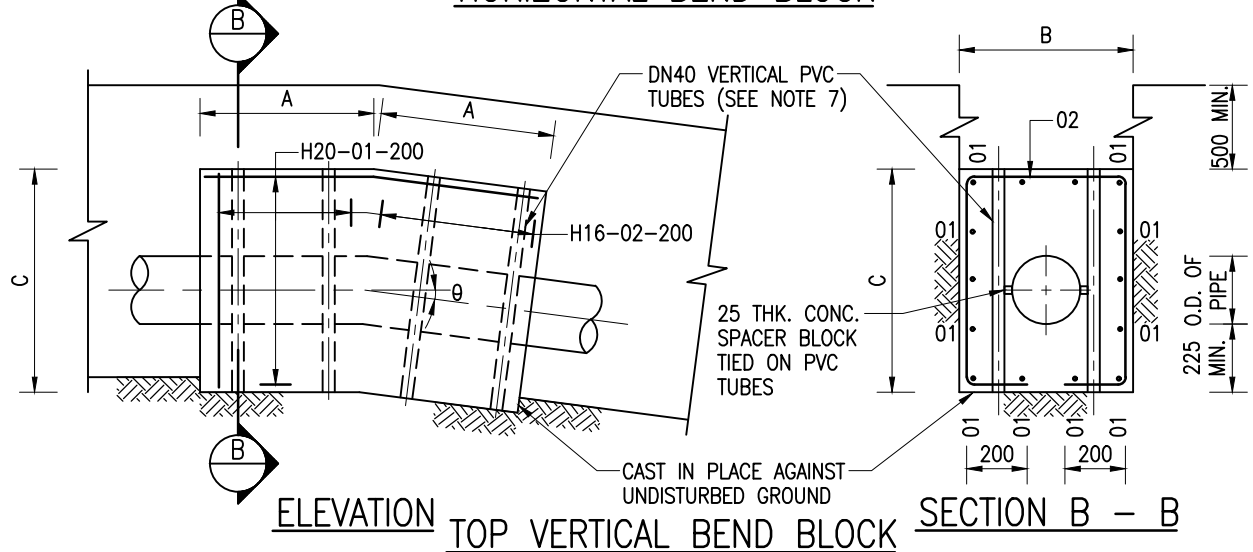


PLAN

HORIZONTAL BEND BLOCK

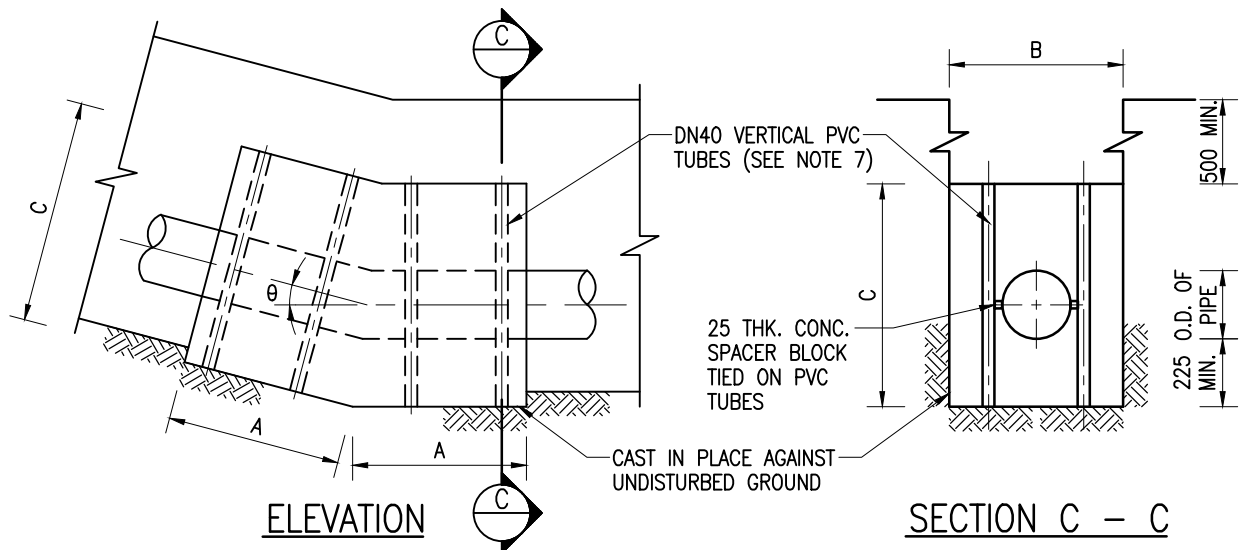
SECTION A - A



ELEVATION

TOP VERTICAL BEND BLOCK

SECTION B - B



ELEVATION

BOTTOM VERTICAL BEND BLOCK

SECTION C - C

Cad Ref. : WSD010401-H.dwg

				D	RE-FORMATTED TO CSWP	W.K. CHIU	5/9/03
H	NOTE 7 ADDED	W.K. TSUI	15/8/23	C	GENERAL REVISION	W.K. CHIU	20/9/00
G	CONCRETE GRADE REVISED	C.Y. CHAN	4/5/23	B	END BLOCK DETAILS REVISED	W.K. CHIU	16/12/99
F	COVER TO REINFORCEMENT REVISED	S.K. YEUNG	6/1/16	A	NOTE 5 ADDED	K.W. CHAN	18/03/93
E	GENERAL REVISION	S.K. YEUNG	2/1/15	REF.	REVISION	APPROVED	DATE

TYPICAL DETAILS OF THRUST BLOCKS



水務署
Water Supplies Department

APPROVED

G.C. LEE
AD/NW

DATE

9/6/92

SCALE

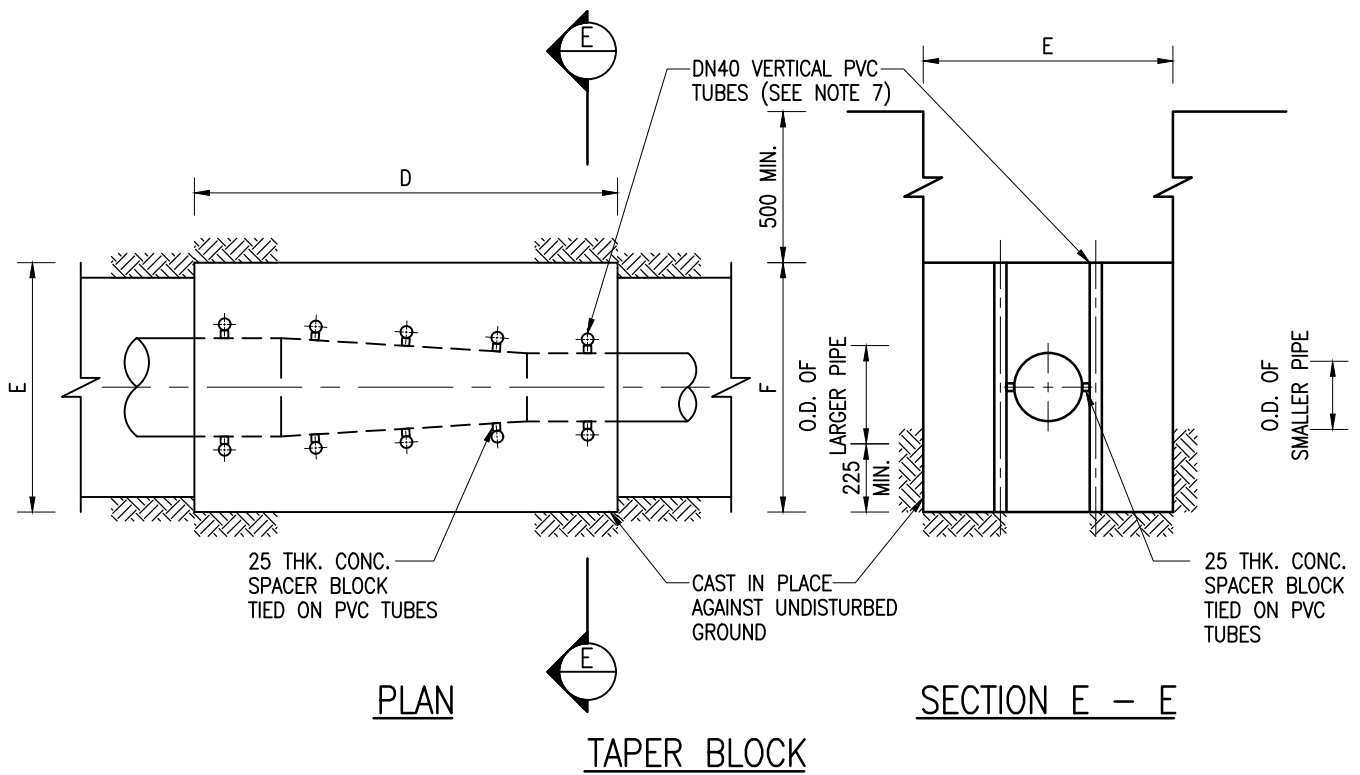
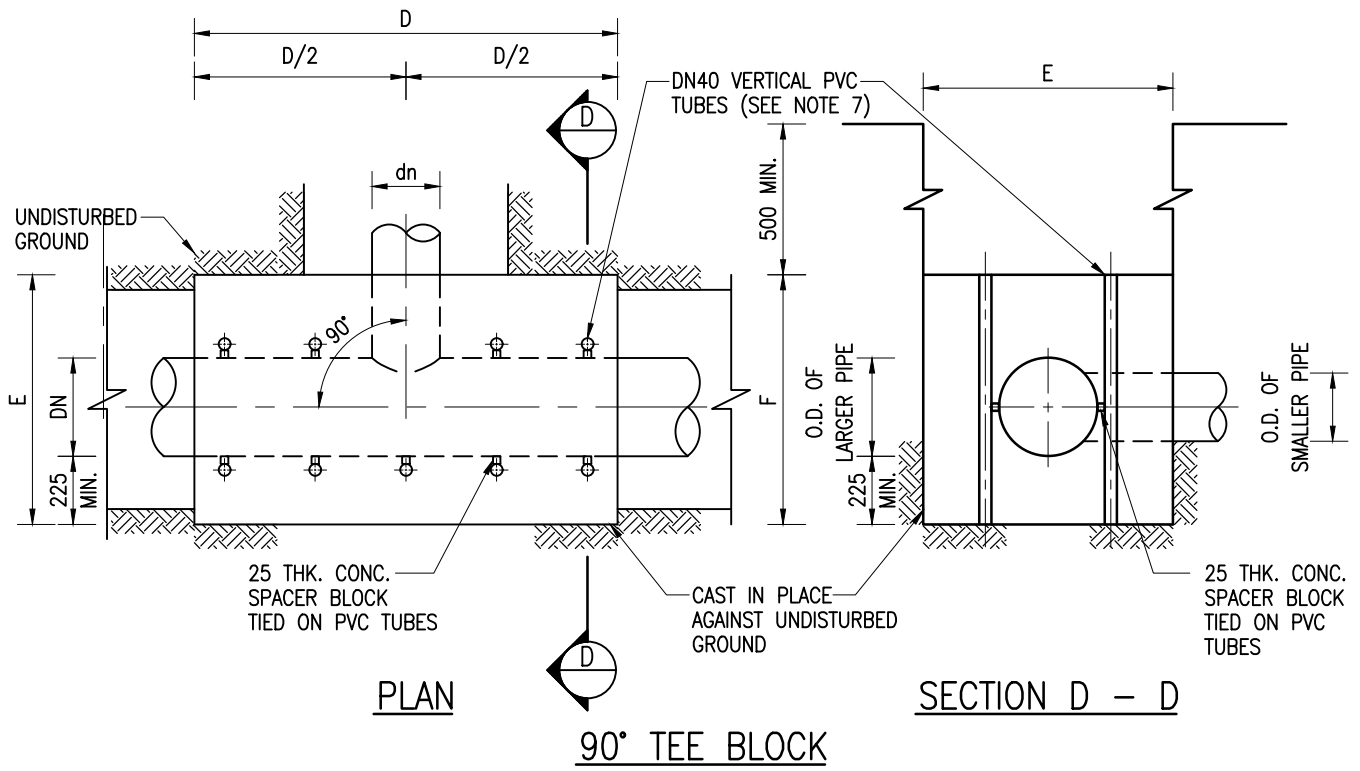
N.T.S.

DRAWING NO.

WSD 1.4H

(SHEET 1 OF 4)

CSWP



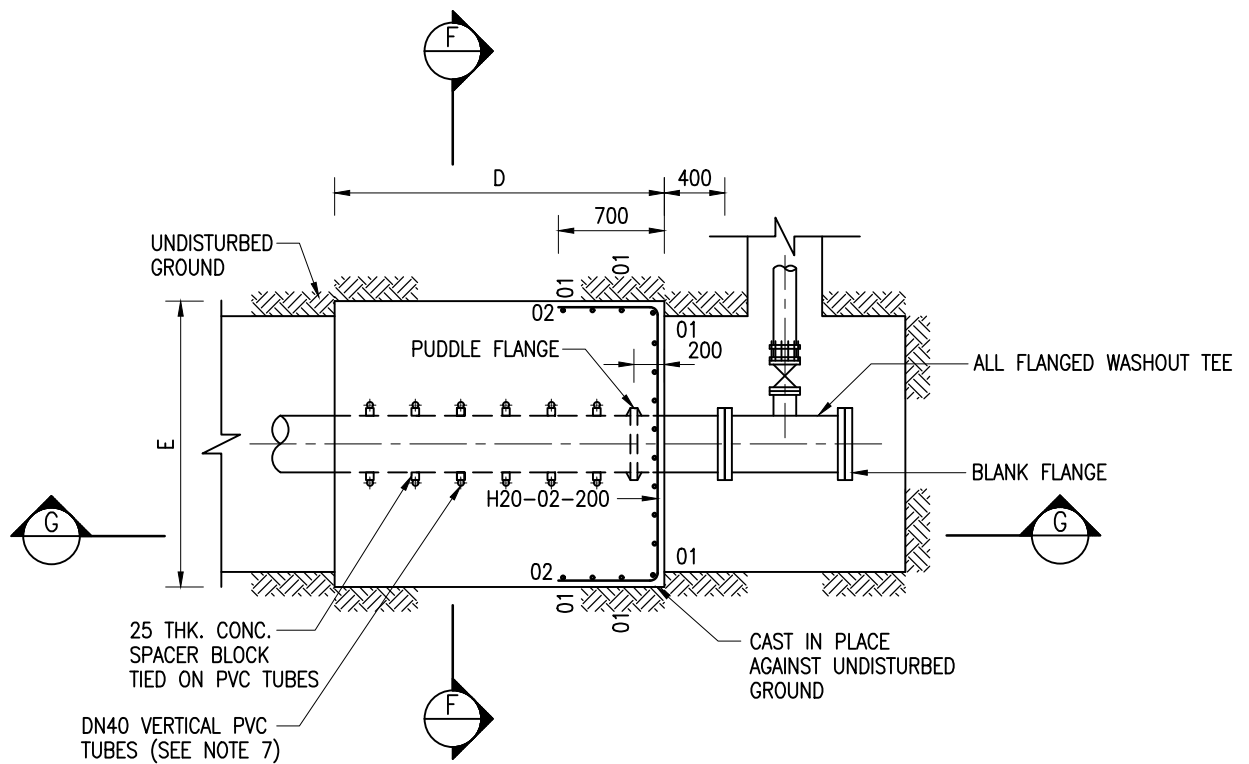
Cad Ref. : WSD010402-H.dwg

TYPICAL DETAILS OF THRUST BLOCKS



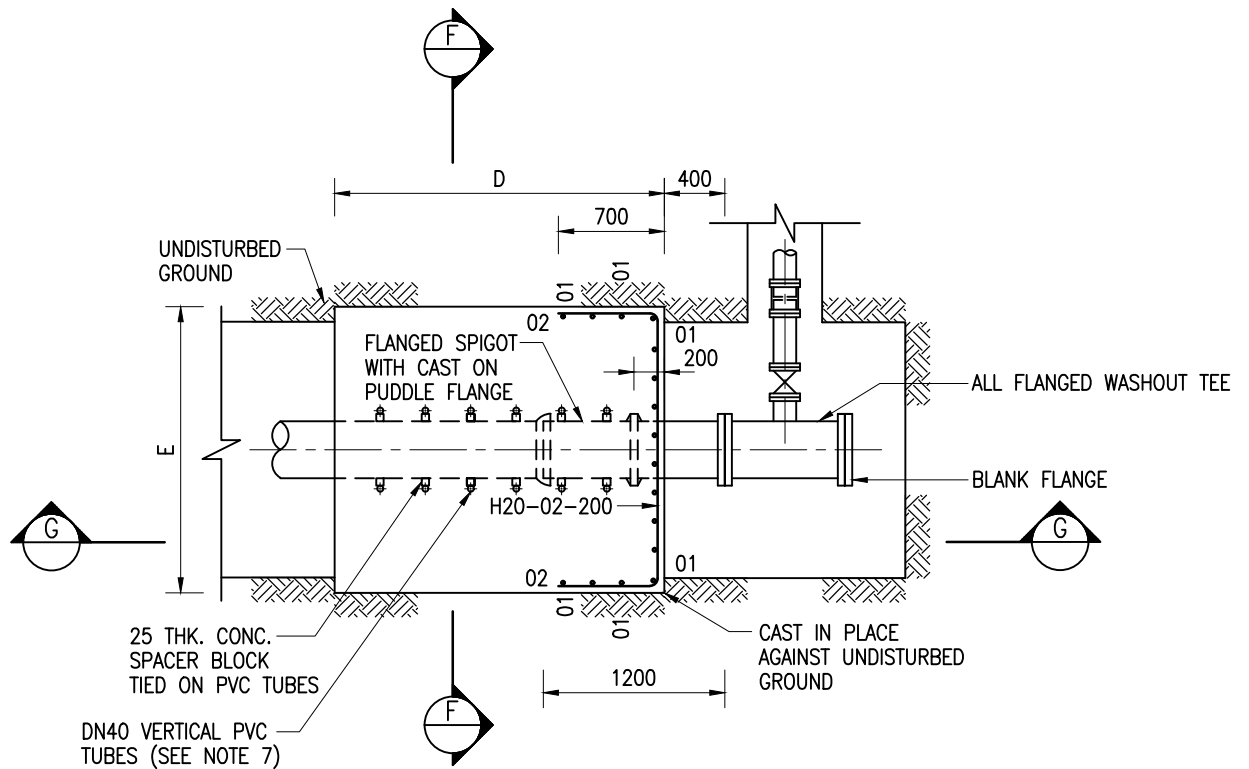
水務署
Water Supplies Department

APPROVED	G.C. LEE AD/NW	DRAWING NO.	CSWP
DATE	9/6/92	WSD 1.4H (SHEET 2 OF 4)	
SCALE	N.T.S.		



PLAN

(FOR STEEL PIPE)



PLAN

(FOR DUCTILE IRON PIPE)

END BLOCK

Cad Ref. : WSD010403-H.dwg

TYPICAL DETAILS OF THRUST BLOCKS



水務署
Water Supplies Department

APPROVED

G.C. LEE
AD/NW

DATE

9/6/92

SCALE

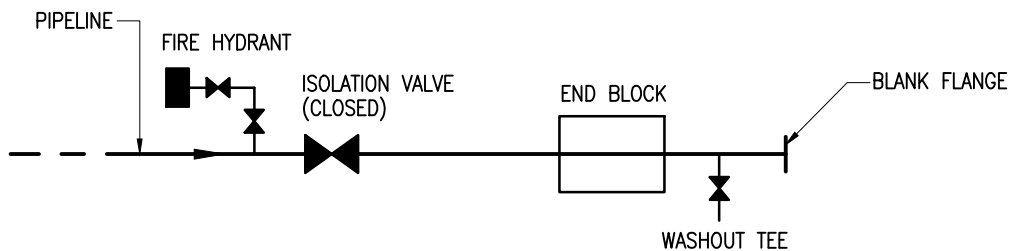
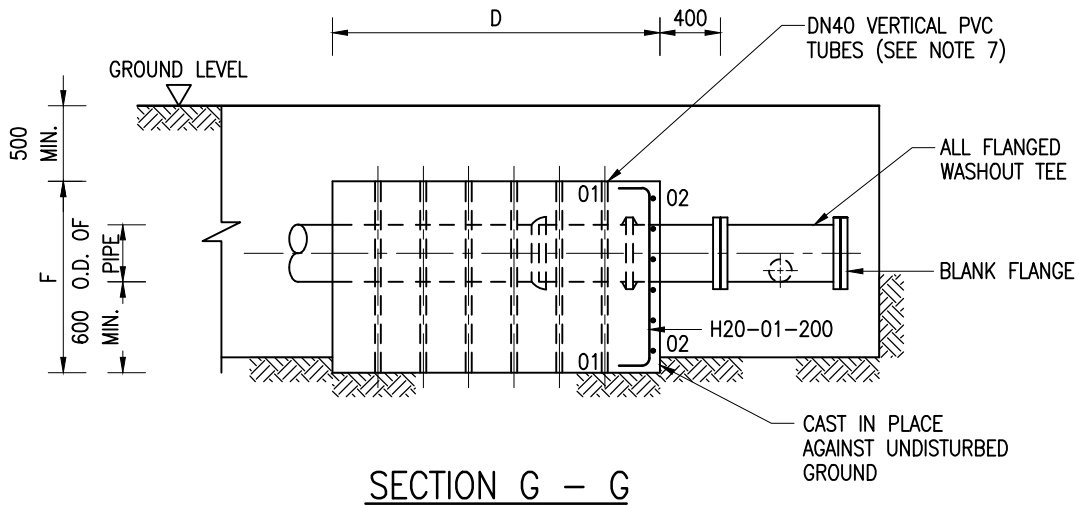
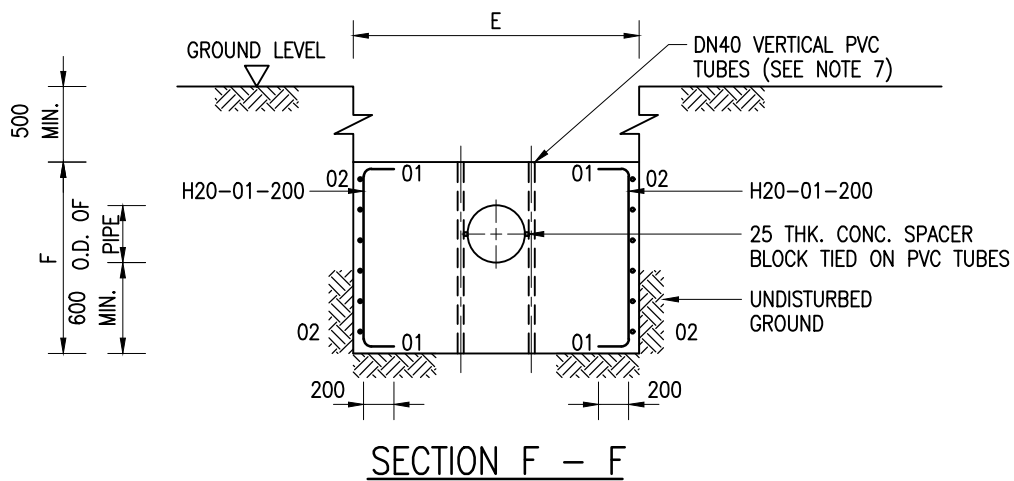
N.T.S.

DRAWING NO.

WSD 1.4H

(SHEET 3 OF 4)

CSWP



SCHEMATIC ARRANGEMENT FOR DEAD END MAIN

NOTES :

1. ALL DIMENSIONS ARE IN MILLIMETRES.
2. BLOCK DIMENSIONS SHALL BE AS SCHEDULED ON CONTRACT DRAWINGS.
3. NOMINAL COVER TO REINFORCEMENT SHALL BE 75mm UNLESS OTHERWISE SPECIFIED.
4. ALL THRUST BLOCKS SHALL BE GRADE 10/20D CONCRETE.
5. CONCRETE AT THE SIDES OF THRUST BLOCKS SHALL BE CAST AGAINST SOIL FACES UNLESS DIRECTED OTHERWISE BY THE ENGINEER.
6. AFTER COMPLETION OF THE PIPEWORK, THE TRENCH SHALL BE BACKFILLED IN ACCORDANCE WITH GS CLAUSE 6.48 AND THE ORIGINAL GROUND REINSTATED. IF THE TRENCH IS LOCATED IN A CARRIAGEWAY, FOOTWAY OR CYCLE TRACK, THE CARRIAGEWAY, FOOTWAY OR CYCLE TRACK SHALL BE REINSTATED IN ACCORDANCE WITH DRG. NO. WSD 1.2.
7. VERTICAL PVC TUBES SHALL BE PROVIDED FOR THRUST BLOCK WITH MINIMUM WIDTH (DIMENSIONS B AND E) OF 1000mm. THE SPACING SHALL BE 300 C/C ALONG THE PIPE DIRECTION.

TYPICAL DETAILS OF THRUST BLOCKS



水務署
Water Supplies Department

APPROVED

G.C. LEE
AD/NW

DATE

9/6/92

SCALE

N.T.S.

DRAWING NO.

WSD 1.4H
(SHEET 4 OF 4)

CSWP