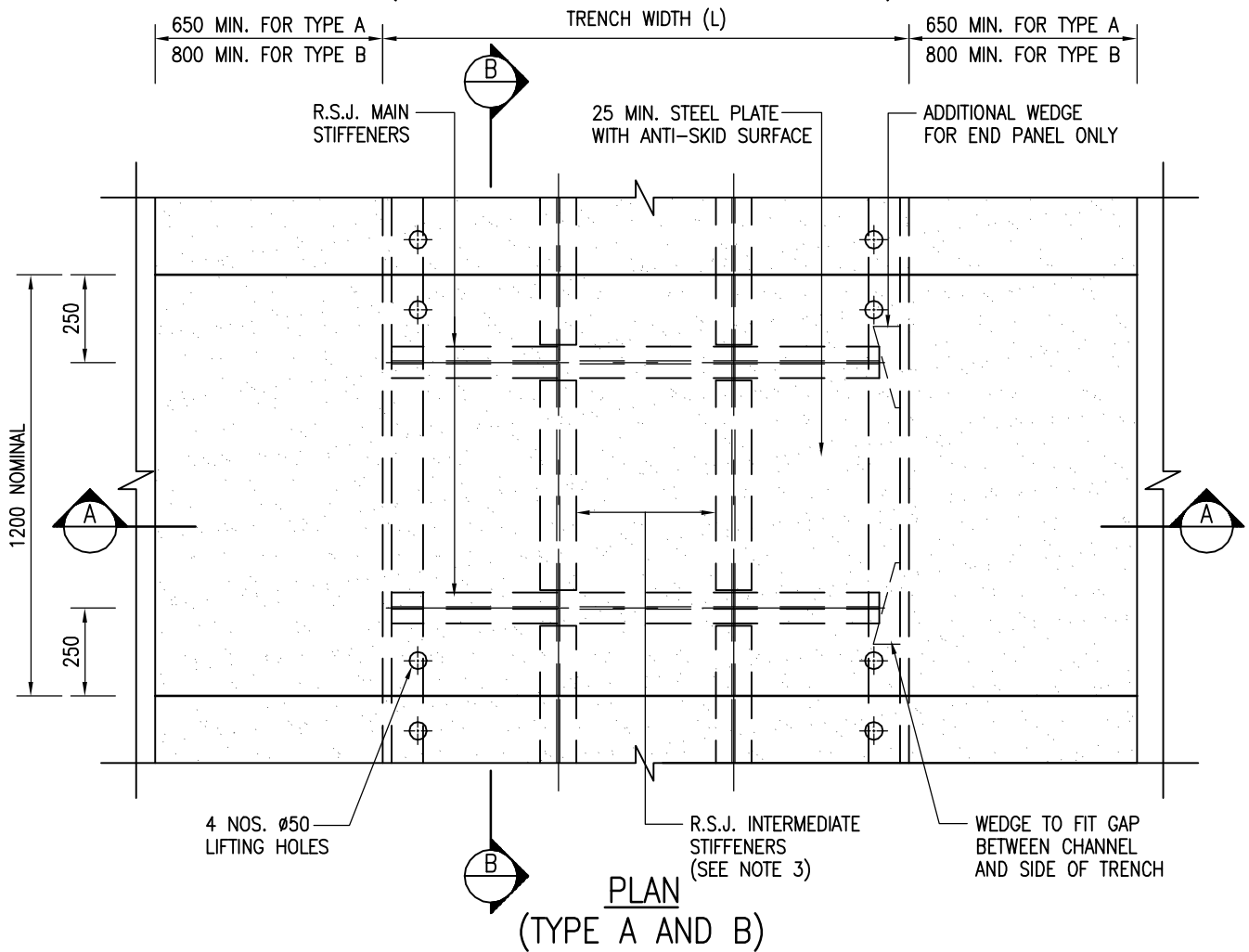
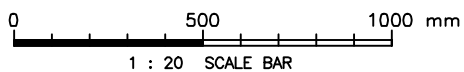


SECTION A - A
(TYPE A - FOR RIGID PAVEMENT)



PLAN
(TYPE A AND B)



E	DIMENSION OF STEEL PLATE REVISED	W.K. CHIU	13/8/04
D	RE-FORMATTED TO CSWP	W.K. CHIU	5/9/03
C	GENERAL REVISION	W.K. CHIU	20/9/00
B	TYPE B & SCHEDULE OF COVERS ADDED	K.W. CHAN	5/11/96
A	LAPPING OVER TRENCH INCREASED	K.W. CHAN	23/11/93
REF.	REVISION	APPROVED	DATE

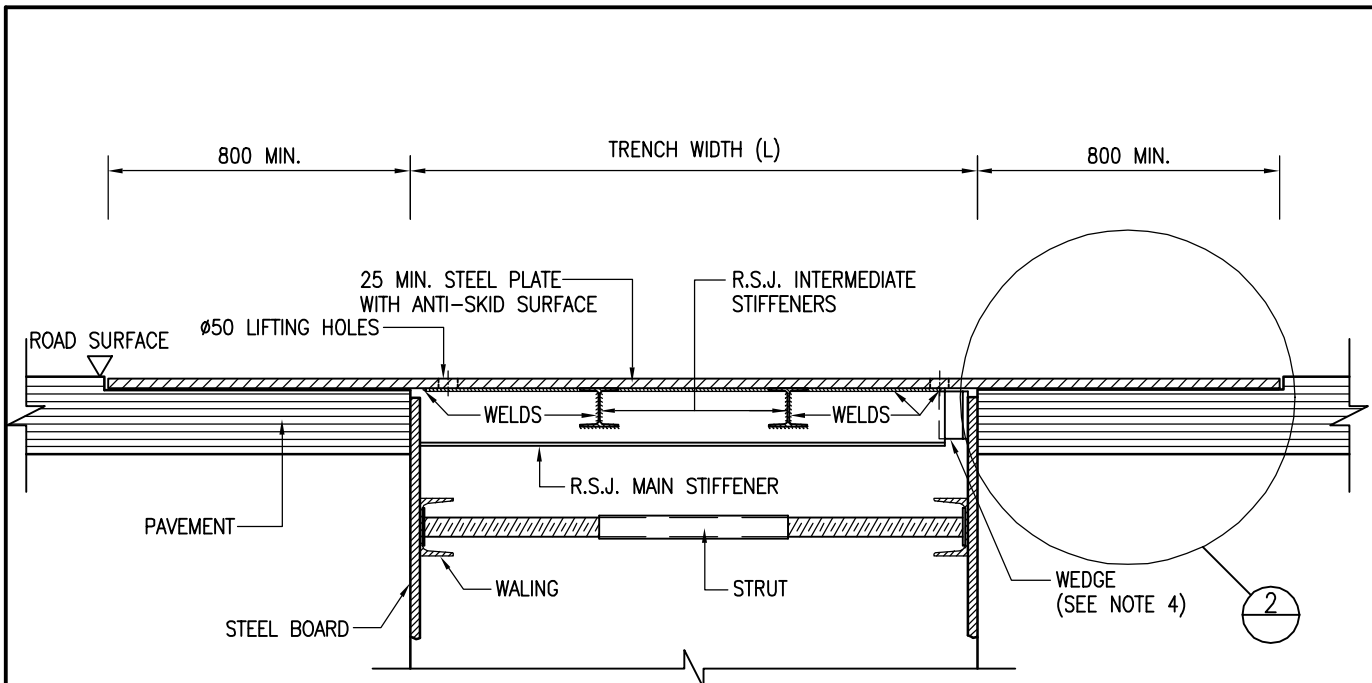
Cad Ref. : WSD010301-E.dwg

STEEL PLATE OVER TRENCHES

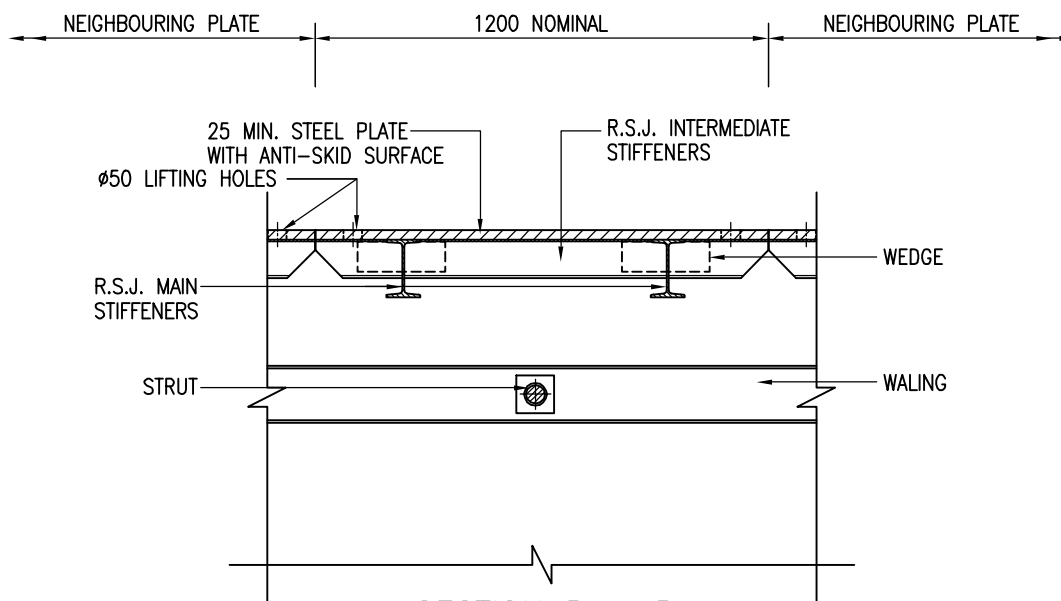


水務署
Water Supplies Department

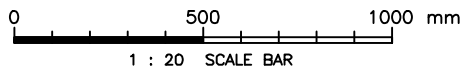
APPROVED	G.C. LEE AD/NW	DRAWING NO. WSD 1.3E (SHEET 1 OF 4)	CSWP
DATE	9/6/92		
SCALE	1 : 20		



SECTION A - A
(TYPE B - FOR FLEXIBLE PAVEMENT)



SECTION B - B
(TYPE A AND B)



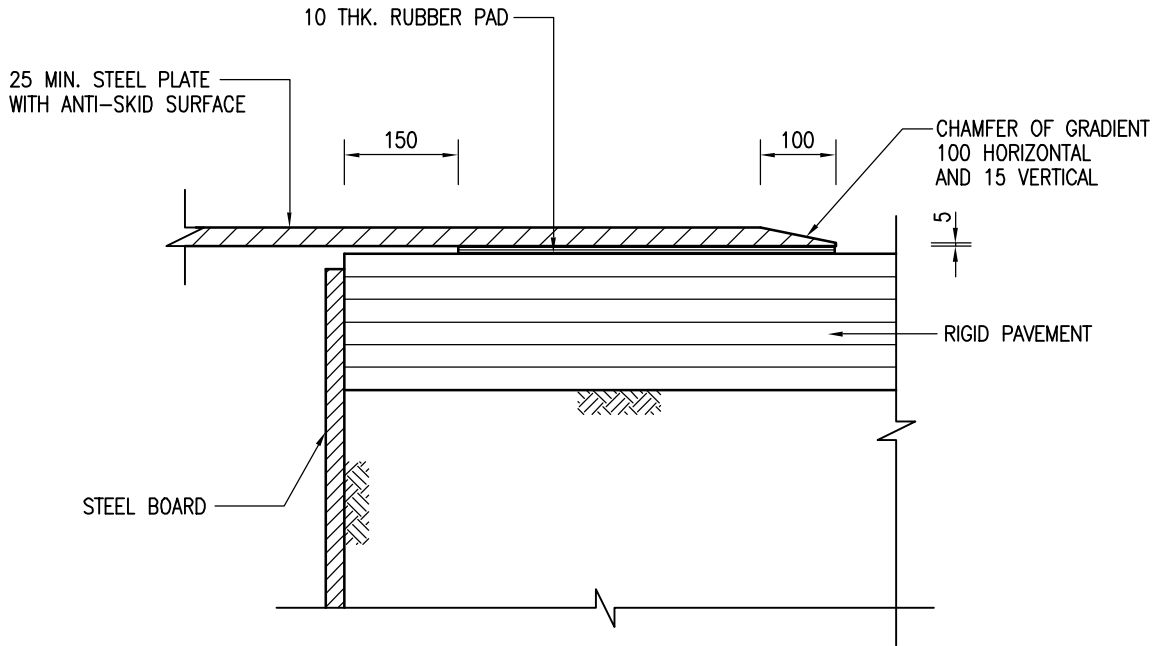
Cad Ref. : WSD010302-E.dwg



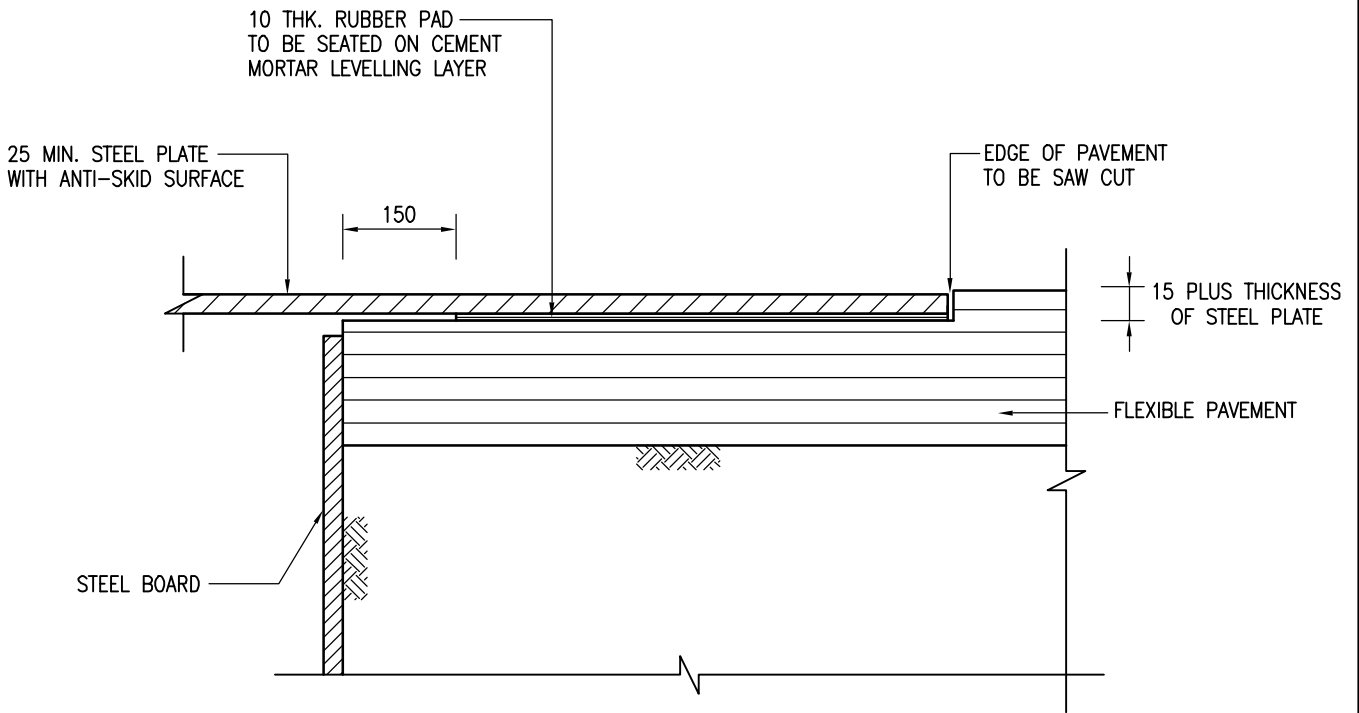
水務署
Water Supplies Department

STEEL PLATE OVER TRENCHES

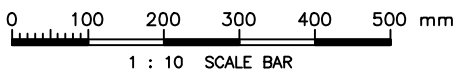
APPROVED	G.C. LEE AD/NW	DRAWING NO.	CSWP
DATE	9/6/92	WSD 1.3E	
SCALE	1 : 20	(SHEET 2 OF 4)	



DETAIL '1'



DETAIL '2'



Cad Ref. : WSD010303-E.dwg



水務署
Water Supplies Department

STEEL PLATE OVER TRENCHES

APPROVED	G.C. LEE AD/NW	DRAWING NO.	CSWP
DATE	9/6/92	WSD 1.3E	
SCALE	1 : 10	(SHEET 3 OF 4)	


SCHEDULE OF TRENCH COVERS

TRENCH WIDTH L (m)	THICKNESS OF STEEL PLATE (mm)	R.S.J. MAIN STIFFENER	R.S.J. INTERMEDIATE STIFFENER		
		SIZE	SIZE	SPACING (m)	
L ≤ 0.7	25	NOT REQUIRED			
0.7 < L ≤ 1.0		102 x 64 x 9.65 kg/m	76 x 51 x 6.67 kg/m	0.3	
1.0 < L ≤ 1.3				0.4	
1.3 < L ≤ 1.6				0.5	
1.6 < L ≤ 1.9		127 x 76 x 13.36 kg/m		0.6	
1.9 < L ≤ 2.2				0.7	
2.2 < L ≤ 2.5				0.8	
2.5 < L ≤ 2.8		40			0.9
2.8 < L ≤ 3.0					1.0
3.0 OR ABOVE	TO BE DESIGNED (BY CONTRACTOR) TO BS 5950 WITH DEFLECTION AT CENTRE NOT EXCEEDING 1/360 OF TRENCH WIDTH AND APPROVED BY THE ENGINEER. LOADING SHALL BE DESIGNED TO HA LOADING ACCORDING TO BS 5400.				

NOTES:

1. ALL DIMENSIONS ARE IN MILLIMETRES.
2. THE TRENCH SUPPORTING ARRANGEMENT SHOWN IS FOR ILLUSTRATION PURPOSE. THE CONTRACTOR IS RESPONSIBLE FOR THE DESIGN AND ADEQUACY OF THE TEMPORARY SUPPORT SYSTEM TO TRENCHES.
3. INTERMEDIATE STIFFENERS SHALL BE CENTRALLY PLACED WITH SPACING ACCORDING TO THE SCHEDULE OF TRENCH COVERS.
4. SIZE OF WEDGES VARIES TO SUIT TRENCH DIMENSION.
5. ALTERNATIVE DESIGN MAY BE ALLOWED SUBJECT TO THE APPROVAL OF THE ENGINEER.
6. TOP OF STEEL PLATE SHALL BE TREATED WITH ANTI-SKID DRESSING; OTHER SURFACES SHALL BE TREATED WITH PROTECTIVE PAINTING.
7. SURFACE OF STEEL PLATE SHALL BE MARKED WITH ALTERNATE BLACK AND YELLOW DIAGONAL STRIPS OF 300mm WIDTH. THE YELLOW MARKINGS SHALL HAVE RESISTANCE AND REFLECTIVE CHARACTERISTICS EQUIVALENT TO COMMON THERMOPLASTIC ROAD MARKINGS.
8. THE CONTRACTOR'S NAME SHALL BE CLEARLY MARKED ON THE STEEL PLATE FOR EASY IDENTIFICATION.

Cad Ref. : WSD010304-E.dwg

STEEL PLATE OVER TRENCHES	 水務署 Water Supplies Department		CSWP
	APPROVED	G.C. LEE AD/NW	DRAWING NO. WSD 1.3E (SHEET 4 OF 4)
	DATE	9/6/92	
	SCALE	NOT APPLICABLE	