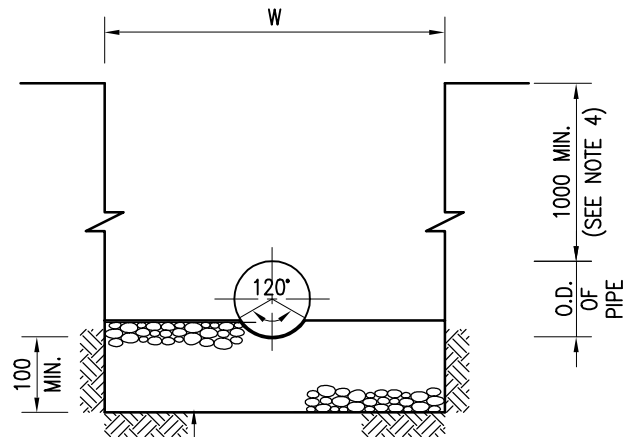
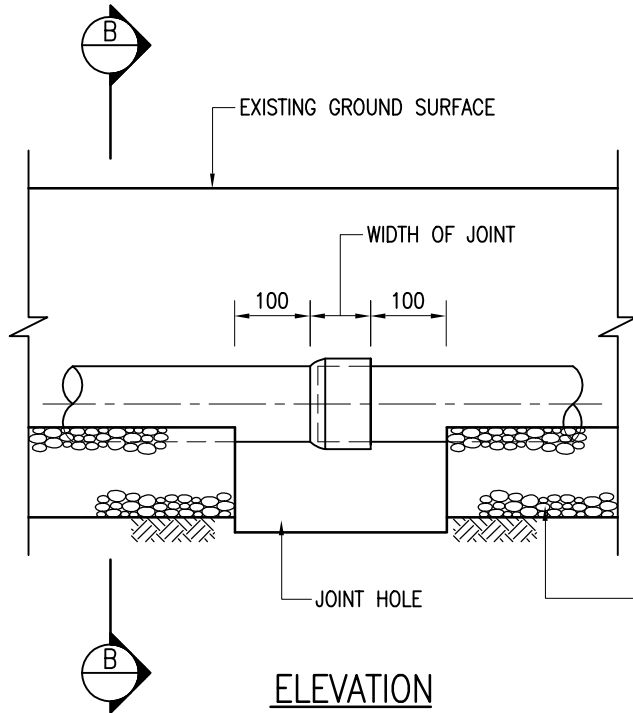


SECTION A - A

TYPE 1
PIPES LAID ON TRENCH BOTTOM



SECTION B - B

TYPE 2
PIPES LAID ON GRANULAR BEDDING

Cad Ref. : WSD010101-C.dwg

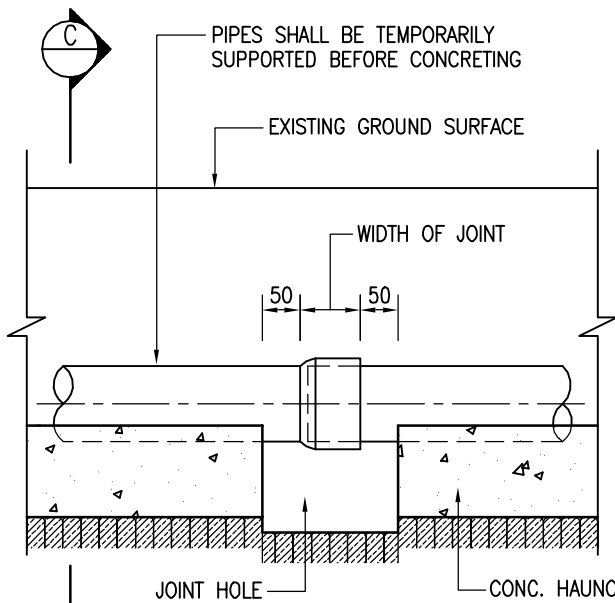
C	RE-FORMATTED TO CSWP	W.K. CHIU	5/9/03
B	GENERAL REVISION AND NOTE 7 ADDED	W.K. CHIU	20/9/00
A	TYPE 5-PIPES SUPPORTED BY PILES ADDED	W.K. CHIU	16/12/99
REF.	REVISION	APPROVED	DATE

TYPICAL DETAILS OF PIPE TRENCHES

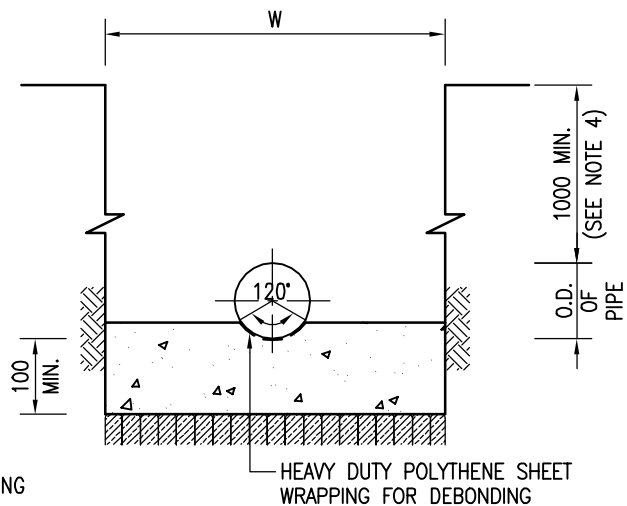


水務署
Water Supplies Department

APPROVED	G.C. LEE AD/NW	DRAWING NO. WSD 1.1C (SHEET 1 OF 4)	CSWP
DATE	9/6/92		
SCALE	N.T.S.		

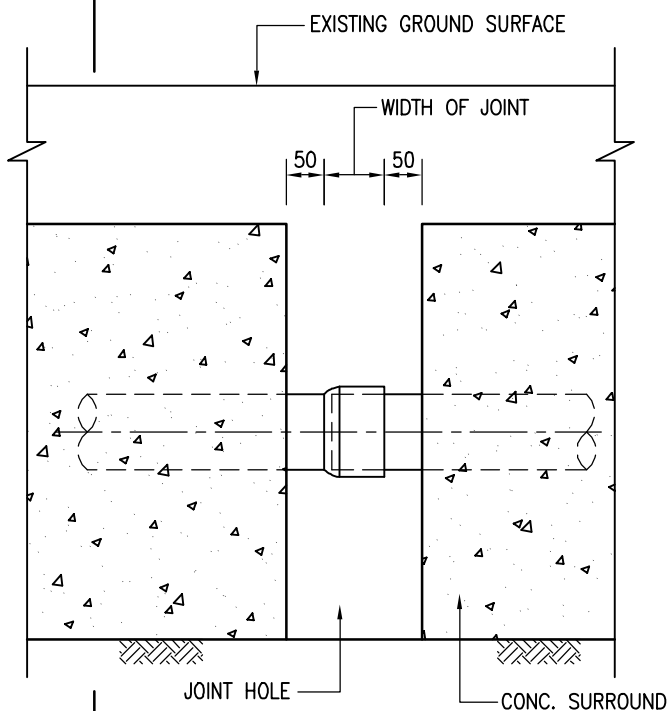


ELEVATION

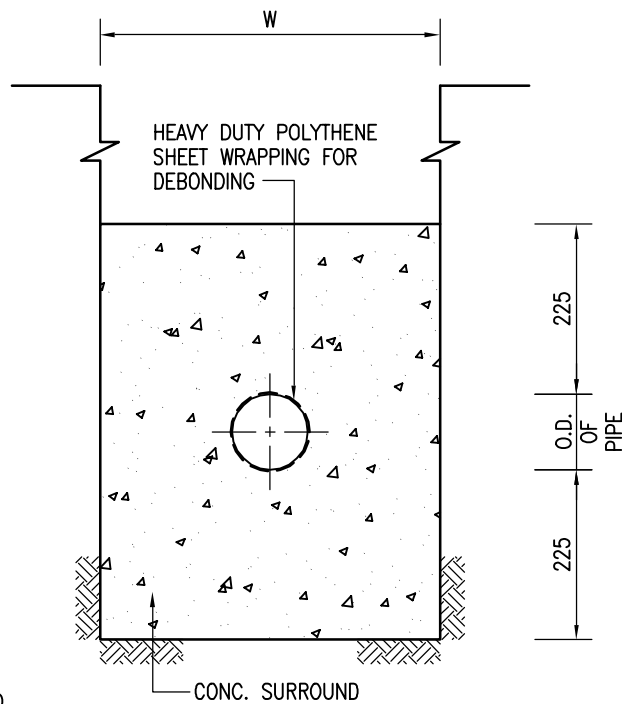


SECTION C - C

TYPE 3
PIPES LAID ON CONCRETE HAUNCHING



ELEVATION



SECTION D - D

TYPE 4
PIPES LAID WITH CONCRETE SURROUND

Cad Ref. : WSD010102-C.dwg

TYPICAL DETAILS OF PIPE TRENCHES



水務署
Water Supplies Department

APPROVED

G.C. LEE
AD/NW

DATE

9/6/92

SCALE

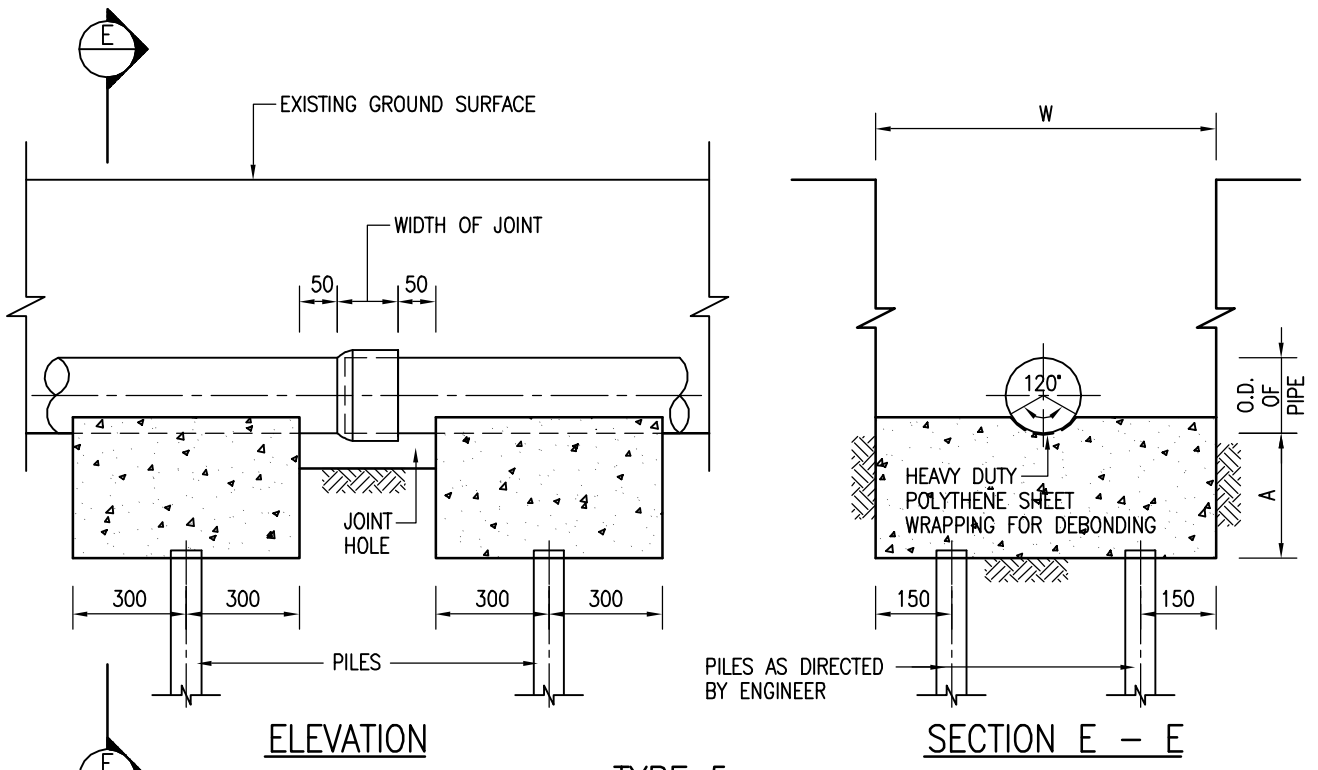
N.T.S.

DRAWING NO.

WSD 1.1C

(SHEET 2 OF 4)

CSWP

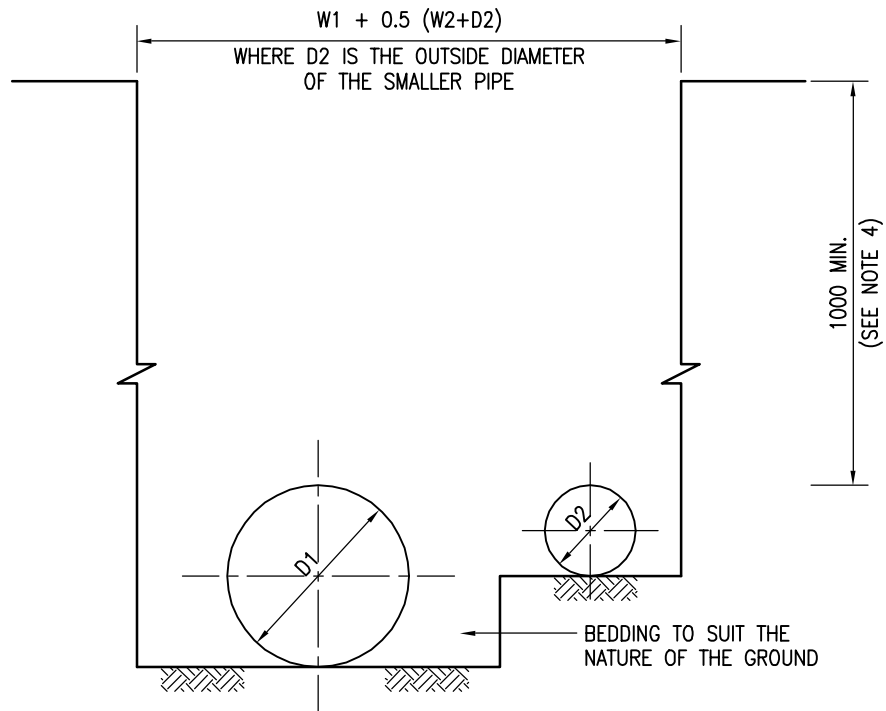


ELEVATION

SECTION E - E

**TYPE 5
PIPES SUPPORTED BY PILES**


A = D/4 WITH 150 MIN. WHERE D IS THE OUTSIDE DIAMETER OF PIPE



TYPICAL TRENCH DETAILS FOR TWIN PIPES

W1 = TRENCH WIDTH FOR D1
W2 = TRENCH WIDTH FOR D2
(INVERT LEVELS AS SHOWN ON CONTRACT DRAWINGS)

Cad Ref. : WSD010103-C.dwg

TYPICAL DETAILS OF PIPE TRENCHES	 水務署 Water Supplies Department		CSWP
	APPROVED	G.C. LEE AD/NW	DRAWING NO.
	DATE	9/6/92	WSD 1.1C
	SCALE	N.T.S.	(SHEET 3 OF 4)

DEPTH TO PIPE INVERT IN mm	NOMINAL SIZE OF PIPE (DN)						
	100 OR LESS	125-150	175-250	275-350	375-425	450-500	EXCEEDING 500
NOT EXCEEDING 1500	450	600	700	800	950	1000	OUTSIDE DIA. OF PIPE PLUS 500mm
EXCEEDING 1500	700	750	850	950	1050	1100	OUTSIDE DIA. OF PIPE PLUS 600mm

TRENCH WIDTH (W)

NOTES :

1. ALL DIMENSIONS ARE IN MILLIMETRES.
2. PIPES ARE TO BE TEMPORARILY SUPPORTED BEFORE CONCRETE IS PLACED IN POSITION.
3. CONCRETE GRADE FOR HAUNCHING AND SURROUND TO PIPE SHALL BE 20/20D.
4. THE DIMENSIONS APPLY TO PIPES LAID IN CARRIAGEWAYS. FOR PIPES LAID IN FOOTWAY, CYCLE TRACK, ROADSIDE VERGE AND OTHER OPEN AREAS, THE MINIMUM COVER SHALL BE 600mm OR AS SPECIFIED.
5. GRANULAR BEDDING TO PIPE SHALL BE 10mm SINGLE-SIZED AGGREGATE.
6. THE USE OF DIFFERENT PIPE TRENCHES SHALL BE AS FOLLOWS :-
 - TYPE 1 TRENCH IN SUITABLE MATERIAL (DRY CONDITION)
 - TYPE 2 TRENCH IN SUITABLE MATERIAL (WET CONDITION)
 - TYPE 3 TRENCH IN ROCK
 - TYPE 4 TRENCH IN CARRIAGEWAY WHERE COVER TO PIPE IS LESS THAN 600mm
 - TYPE 5 TRENCH IN UNSUITABLE MATERIAL
7. AFTER COMPLETION OF THE PIPEWORK, THE TRENCH SHALL BE BACKFILLED IN ACCORDANCE WITH GS CLAUSE 6.48 AND THE ORIGINAL GROUND REINSTATED. IF THE TRENCH IS LOCATED IN A CARRIAGEWAY, FOOTWAY OR CYCLE TRACK, THE CARRIAGEWAY, FOOTWAY OR CYCLE TRACK SHALL BE REINSTATED IN ACCORDANCE WITH DRG. NO. WSD 1.2.

Cad Ref. : WDC010104-C.dwg

TYPICAL DETAILS OF PIPE TRENCHES



水務署
Water Supplies Department

APPROVED

G.C. LEE
AD/NW

DATE

9/6/92

SCALE

NOT APPLICABLE

DRAWING NO.

WSD 1.1C
(SHEET 4 OF 4)

CSWP