

# Test Report

## Test

Title : Testing of Flush Valves for WC Pan

Method : BS EN 997: 2012 + A1: 2015

Nutek ref. :

Completion :

## Applicant (Information below provided by client)

Name :

Address :

## Sample (Information below provided by client)

Brand :

Model :

Body marking :

Manufacturer :

Origin :

Description : Flush valve

## Approved Signatory

Signature :

Name (title) :

Date :

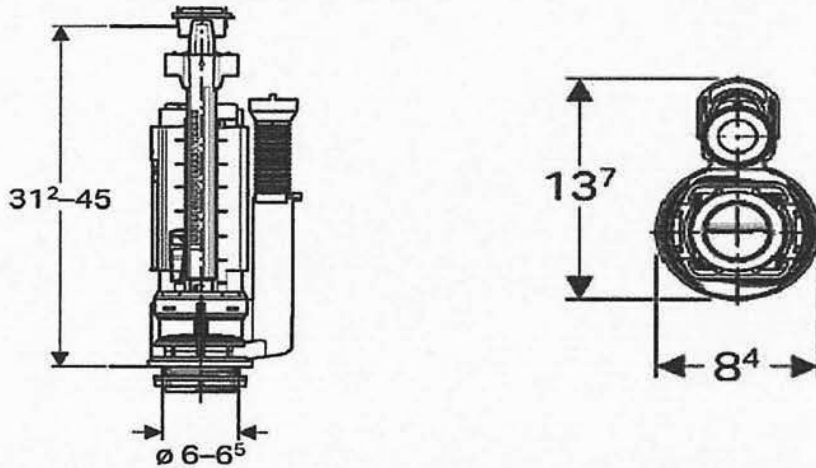
## Summary

Test	Remark
1 Dimensions	C
2 Flush Volume and Rate	C
3 Physical endurance and leakage of flushing device	C

## Results (apply only to samples tested)

### 1 Dimensions

Manufacturer Requirement



ID	Variable	Unit	Measured	Required	Remark
1	Height (minimum)	mm	315.0	312 - 450	C
	Outlet Outer Diameter		60.0	60.0 - 65.0	C
	Width		137.0	137.0	C
	Thickness		84.0	84.0	C
Overall result					C

### 2 Flush Volume and Rate

BS EN 997: 2012 + A1: 2015 Cl. 6.5 & 6.6

ID	Variable	Unit	Measured	Required	Remark
1	Flush Volume (Full)	l	5.7	≤ 6.0	C
	Flush Volume (Reduced)		3.3	≤ 3.8	C
2	Flush duration (Full)	s	1.7	N	N
	Flush Duration (Reduced)		0.7	N	N
3	Flush Rate (Full)	l/s	2.76	≥ 1.85	C
	Flush Rate (Reduced)		2.57	≥ 1.6	C
Overall result					C

### 3 Physical endurance and leakage of flushing device

BS EN 997: 2012 + A1: 2015 Cl. 6.7

ID	Variable	Unit	Measured	Required	Remark
1	Pressure	Mpa	0.15	0.15 ± 0.01	C
2	Hardness of test water	ppm	230	230 ± 20	C
Overall result					C
Accumulated cycles completed	Type of test	Sign of leakage	Remark		
1	Long term test	No leakage	C		
2	Short term test	No leakage	C		
5	Short term test	No leakage	C		
10	Short term test	No leakage	C		
50	Short term test	No leakage	C		
100	Short term test	No leakage	C		
500	Short term test	No leakage	C		
1000	Short term test	No leakage	C		
10000	Short term test	No leakage	C		
20000	Short term test	No leakage	C		
30000	Short term test	No leakage	C		
40000	Short term test	No leakage	C		
50000	Short term test	No leakage	C		
60000	Short term test	No leakage	C		
70000	Short term test	No leakage	C		
80000	Short term test	No leakage	C		
90000	Short term test	No leakage	C		
100000	Short term test	No leakage	C		
110000	Short term test	No leakage	C		
120000	Short term test	No leakage	C		
130000	Short term test	No leakage	C		
140000	Short term test	No leakage	C		
150000	Short term test	No leakage	C		
160000	Short term test	No leakage	C		
170000	Short term test	No leakage	C		
180000	Short term test	No leakage	C		
190000	Short term test	No leakage	C		
200000	Long term test	No leakage	C		
ID	Variable	Measured	Required	Remark	
1	Instance(s) of leakage	0	< 2	C	
Overall result					C

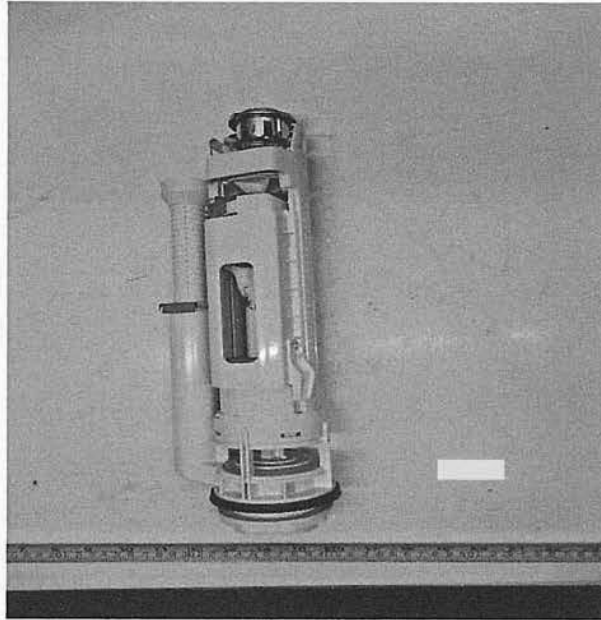
Note:

All parts of the sample showed no sign of failure, damage or permanent distortion.

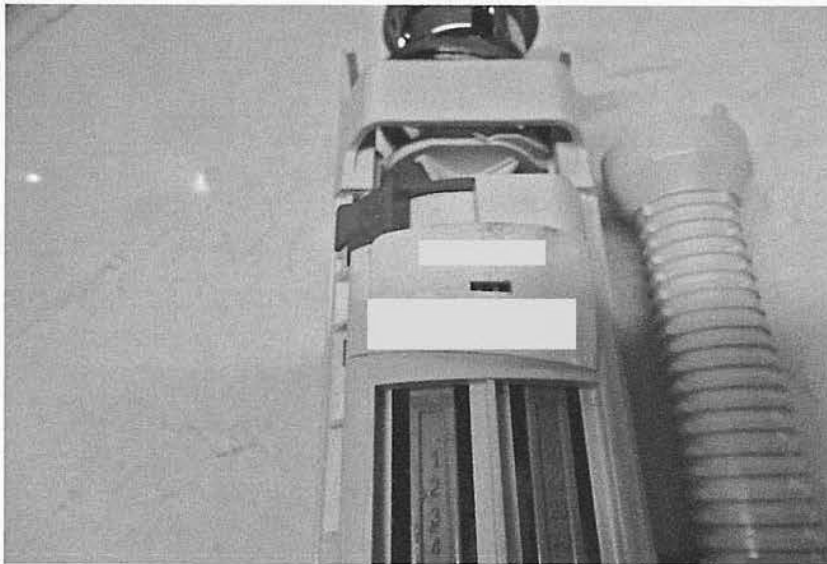
Remark:

The valve is made of plastic and rubber which are suitable for sea water application.

**Figure 1 - Sample**



**Figure 2 - Bodying marking**



## General Note(s)

### Definitions:

C - conformance

N - no requirement

NC - non-conformance

R - remainder

### Organizations:

HKAS - Hong Kong Accreditation Service

HOKLAS - Hong Kong Laboratory Accreditation Scheme

WSD - Water Supplies Department (of Hong Kong)

WHO - World Health Organization

- End of report -