



水務署
Water Supplies Department

總部 Headquarters

香港灣仔告士打道七號入境事務大樓 48 樓

48/F, Immigration Tower, 7 Gloucester Road, Wan Chai, Hong Kong

本署檔號 : (15) in WSD 3318/50 Pt. 8
Our ref.
來函檔號 :
Your ref.

電話 : 2829 4355
Tel.
傳真 : 2824 0578
Fax.

27 August 2021

Distribution: To all Licensed Plumbers and Authorized Persons

Dear Sirs,

WSD Circular Letter No. 6/2021
New Requirement on Meter Position for 40mm Meters

This Circular Letter updates the requirement on the meter position to be provided for 40mm meters in accordance with Section 3.2 of the November 2020 version of the Technical Requirements for Plumbing Works in Buildings (“Technical Requirements”). The new requirement is as follows:

<i>Clear effective length of the distance piece</i>	<i>Meter installation works planned for</i>
346mm	Before 1 September 2022
421mm	On or after 1 September 2022

2. Figure 4 of the Technical Requirements is hereby superseded by **Appendix A**.

Enquiry

3. Should you have any enquiry, please contact our Engineer/Technical Support(3) at telephone no. 2829 4726.

Yours faithfully,

(Original signed)

(Roger WONG)

for Water Authority



Encl.
(with Chinese translation)

c.c.

Housing Department (Attn: SM/QM)

Buildings Department

Architectural Services Department

Fire Services Department

The Hong Kong Housing Society

The Hong Kong Institute of Architects

The Hong Kong Institution of Engineers

The Hong Kong Institute of Surveyors

The Chartered Institute of Plumbing and Heating Engineering – Hong Kong Branch

Hong Kong Plumbing and Sanitary Ware Trade Association Ltd.

Hong Kong Licensed Plumbing Professionals Association Ltd.

Hong Kong Plumbing General Union

Hong Kong Water Works Professionals Association Ltd.

The Hong Kong Institution of Plumbing and Drainage Ltd.

Plumbing Technology Student Association

The Association of Registered Fire Service Installation Contractors of Hong Kong Limited

Real Estate Developers Association of Hong Kong

Hong Kong Institute of Vocational Education

Hong Kong Institute of Construction, Construction Industry Council

The Hong Kong Construction Association, Ltd

Hong Kong General Building Contractors Association Ltd

The Hong Kong Federation of Electrical & Mechanical Contractors Ltd

Contractor's Authorised Signatory Association Ltd

Registered Minor Works Contractor Signatory Association Ltd

Hong Kong Registered Contractors Association Company Ltd

Building Services Operation and Maintenance Executives Society

The Hong Kong Air Conditioning and Refrigeration Association Ltd

Hong Kong Licensed Plumbers Union Limited

Li Ka Shing Institute of Professional and Continuing Education, The Open University of Hong Kong

The Association of Electrical and Mechanical Engineering (Hong Kong) Ltd

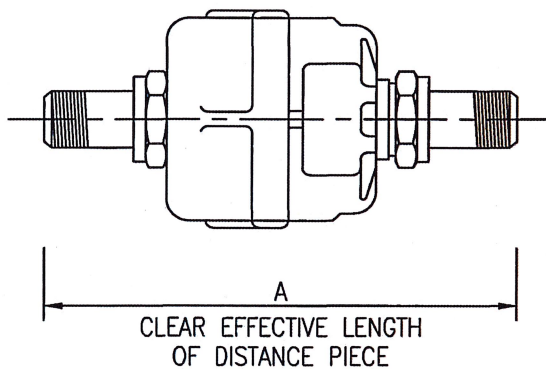
Pipeman Engineering (International) Limited

Hong Kong Institute of Water and Sanitation Safety

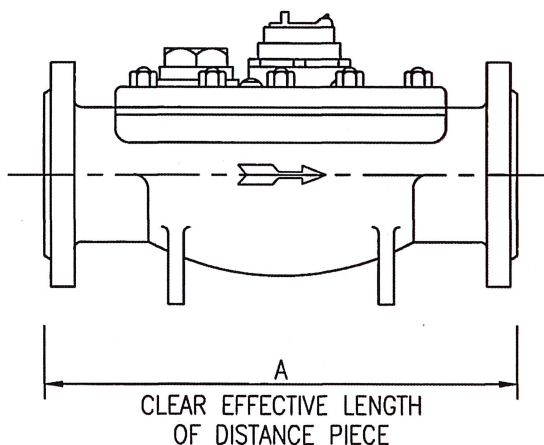
WSD 3318/15/81

METER SIZE (mm)		15	25	40
DIMENSION (mm)	NON-AMR METERS	200	311	# 346 / * 421
	AMR METERS	200	370	421

Remark: (#) For meter planned to be installed before 1 September 2022
 (*) For meter planned to be installed on or after 1 September 2022



METER SIZE (mm)	50	80	100	150
DIMENSION (mm)				
A	310	413	483	500



METER DIMENSIONS

FIG. 4